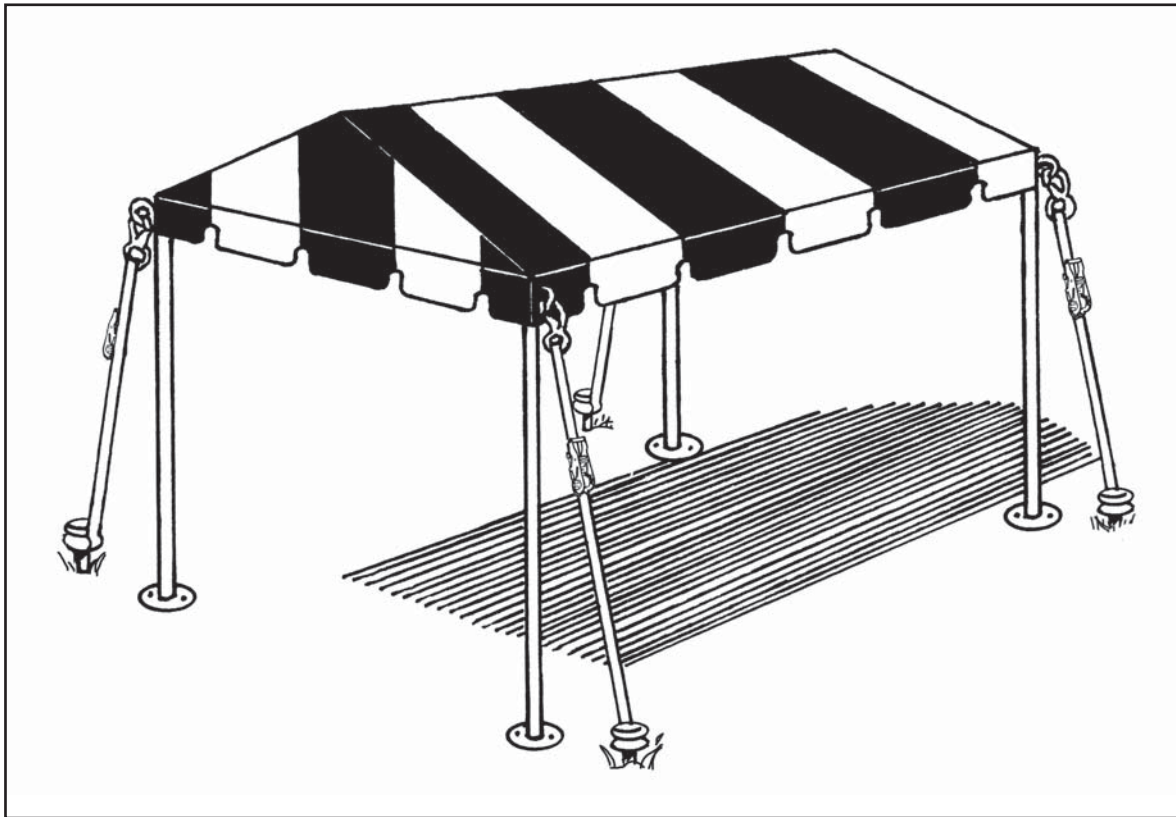


Installation Instructions

Fiesta® Marquee.

Expandable Frames and Tops

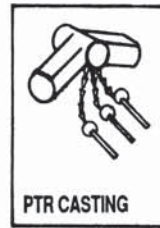
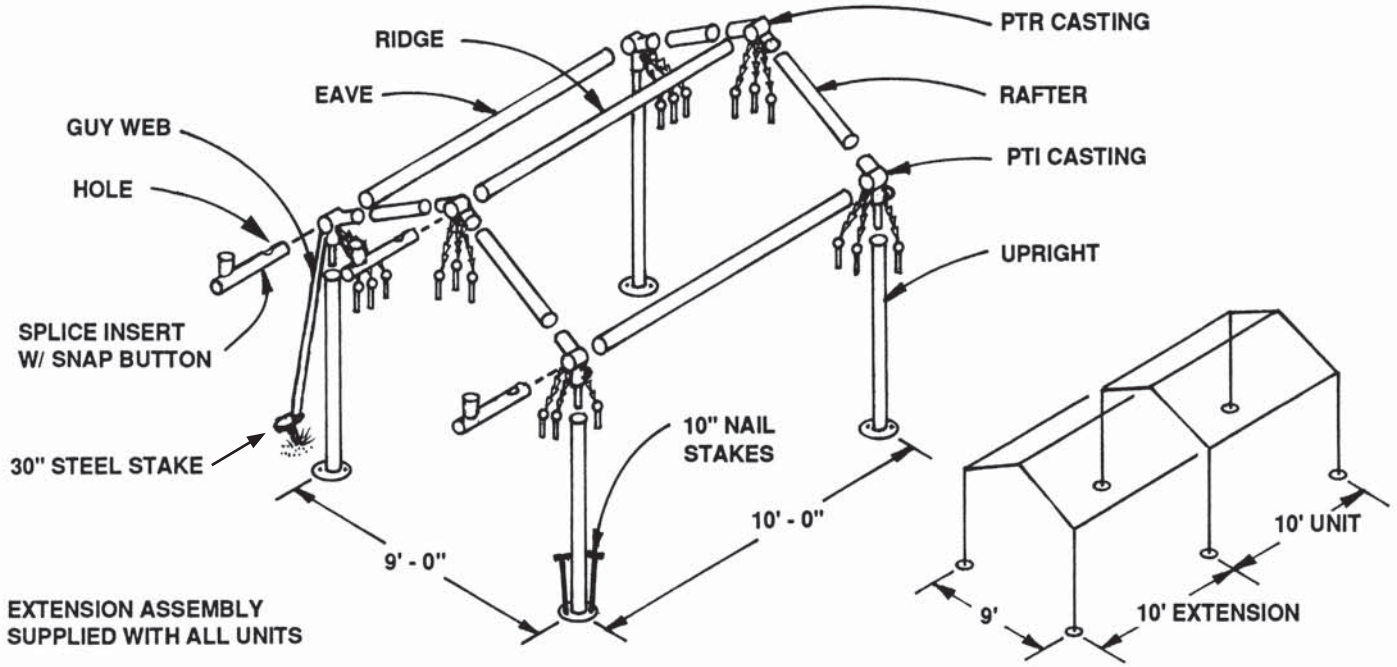


Please read all assembly / installation instructions before the installation or removal of this product.







7701 Highway 41 N
Evansville, IN 47725
Phone: 812-867-2421
Fax: 812-867-1429
1-800-544-4445
email: tents@anchorinc.com
www.anchorinc.com

FRAME PARTS IDENTIFICATION - 9' WIDE FRAME USED AS EXAMPLE



TYPICAL PACKING LIST FOR UNIT ASSEMBLY & EXTENSION KIT

	9' X 10' UNIT		10' EXTENSION	
	QTY	CHECKED	QTY	CHECKED
• EAVE & RIDGE BAR W/ SPLICE INSERT 	3		3	
• UPRIGHTS 	4		2	
• RAFTERS	4		2	
PTI	4		2	
PTR	2		1	
GUY WEB	4		2	
30" STEEL STAKE 	4		2	
10" NAIL STAKE 	8		4	
INSTRUCTIONS	1		1	
STORAGE BAG WITH TOP	1		1	

INSPECT SITE

CAUTION:

Consult local Utility Co. prior to installation.

Prior to assembly be sure to look around area for obstacles, pipes, wires, etc.

LAYOUT & CHECK

Use parts list for a quick identification and check list for proper quantities.

MANPOWER REQUIRED

Two experienced installers should be able to assemble a Fiesta Marquee Unit and extensions.

TOOLS REQUIRED

Tape Measure
Wrench
Sledge Hammer

1

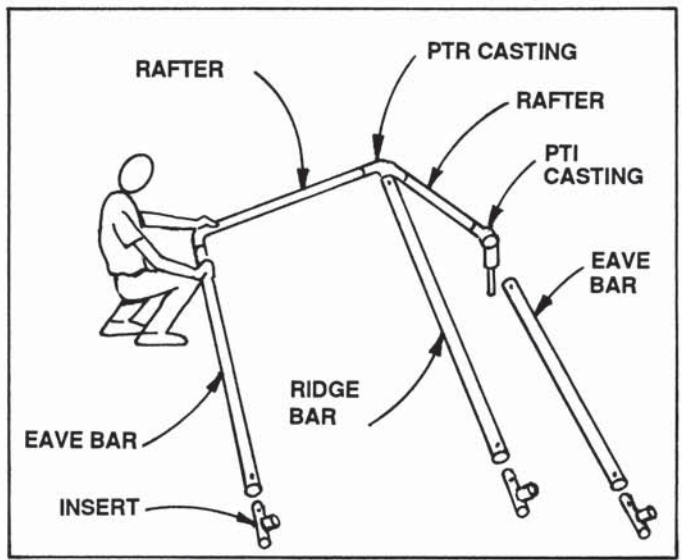
START AT ONE END

Insert rafters into PTR & PTI castings, align holes and pin in place.

Insert ridge and eave bars into castings, align and pin with short pins. Long pins for upright.

Be sure inserts of eave and ridge bars are at the same end.

Inserts should be inserted hole end first.

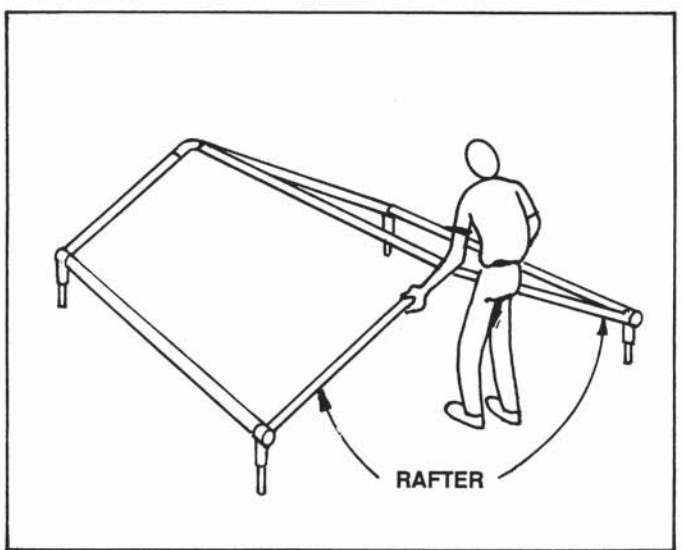


2

ATTACH END RAFTERS

Place PTR and PTI castings at other ends of ridge and eave bars.

Insert end rafters into PTR and PTI casting and pin.

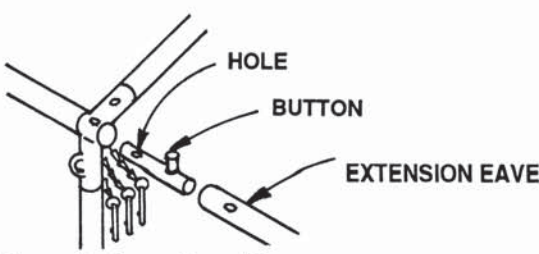


3

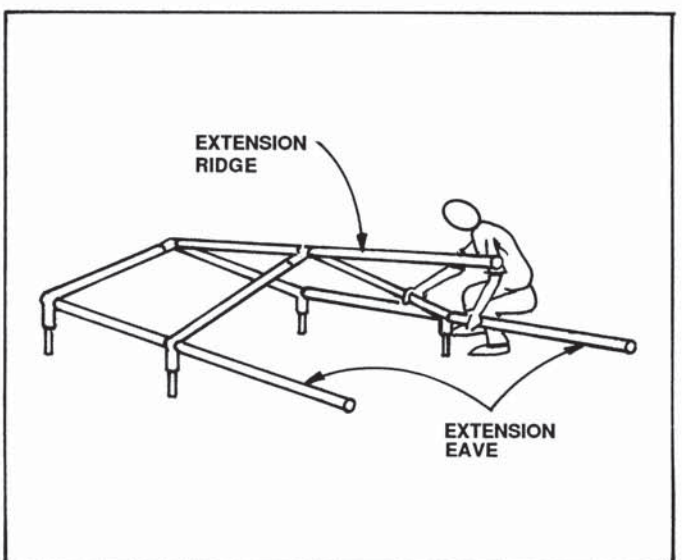
ATTACH EXTENSION RIDGE AND EAVES

For extension units, the insert should be inserted hole end first with holes aligned and pin. This leaves the button protruding for additional sections.

Attach extension ridge and eaves.



Repeat steps 2 and 3

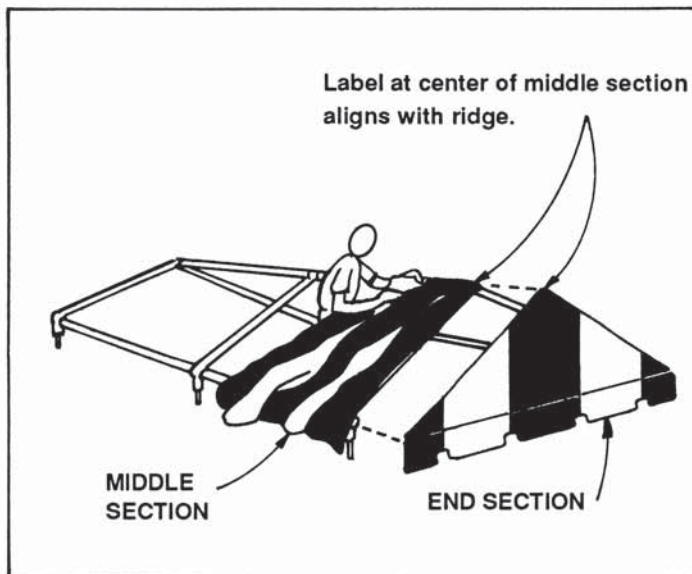
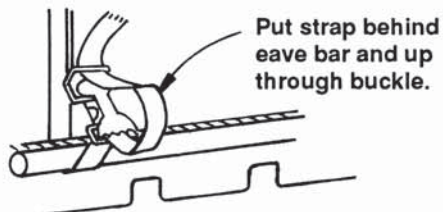


4

SECURE TOP TO FRAME

Spread top over frame, mating velcro strips on ends and middle.

Strap top to frame and adjust tension on straps to pull top correctly.



5

RAISE ONE SIDE

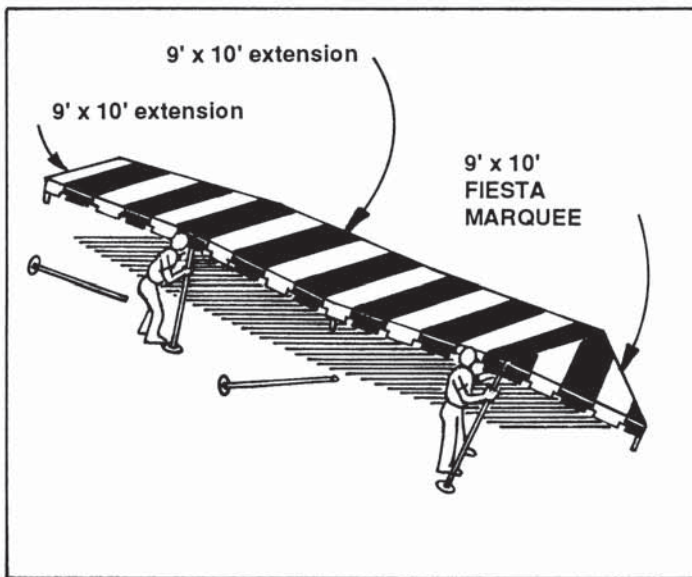
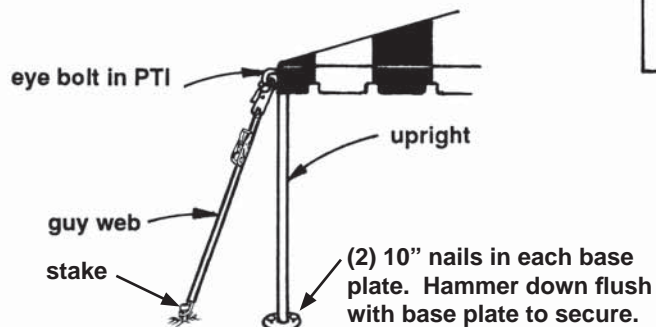
With installers on one side, raise and pin uprights to PTI castings.

Repeat for other side.

Position tent as desired. (If uprights adjustable, raise to proper height)
Attach guy web and stakes as shown.

IMPORTANT: GUYS MUST BE IN PLACE AT ALL TIMES.

"See caution on back page."



IMPORTANT:

Check Guy Webs periodically for tightness and maintaining of good condition. Stakes provided are for average soil conditions. Sandy soil or asphalt may require additional staking. Proper installation suitable to site conditions is the responsibility of the installer. Store tent in a cool, dry area. Never store while wet or damp.

6

TAKE DOWN

1. Loosen all guy webs, straps and buckles.
2. Reverse steps 1 through 5 for disassembly.

Warning: Do not drag fabric tent top across hard or rough surfaces as abrasion from tent hardware is possible.



PHONE NUMBER
812 • 867 • 2421

FAX NUMBER
812 • 867 • 1429

Anchor products are of superior design and operate best within the parameters of these instructions. It is imperative that the instructions be carefully read and **COMPLETELY FOLLOWED**. Please read installation instructions before the installation or removal of this product. Installation instructions are available online at www.anchorinc.com or by calling 1-800-544-4445.

CAUTION:

1. For each installation, the installer is solely responsible for evaluating the site and the proper securing method determined. Some soils require different staking or securing than that provided with the tent. Due to this variety of soil conditions, these are the manufacturer's suggested sequence of installation procedures. Anchor's responsibility is limited to the manufacture of the tent parts and materials. We are not responsible for methods that installers may choose to erect and secure the tent to the ground.
2. The number of stakes suggested in the installation instructions do not necessarily meet all or any relevant codes on the site of the tent installation. The number of stakes suggested **will, in many cases, keep the tent erected**, however, due to various soil conditions; these stakes will be insufficient **to keep the tent secure in high winds**. It is the tent installer's responsibility, not the manufacturer, to determine the appropriate number of stakes to meet the necessary wind loads on the site. Regardless of the number of stakes we suggest, we make no representation or warranty as to whether this specific number of stakes will meet the local tent code. Anchor does not, nor can it make any suggestions, representation, or warranties about the adequate staking required at each specific installation site. Staking information provided in the installation instructions is **not a suggestion about what is necessary to meet a site-specific load**.

For additional important information, consult: "The IFAI Procedural Handbook For the Safe Installation and Maintenance of Tentage" and the IFAI Pocket Guide "Pullout Capacity of Tent Stakes", both available from the IFAI Tent Rental Division on their website (www.ifai.com).

3. Inasmuch as the weather is unpredictable, good judgment and common sense must be incorporated within installation guidelines. It is the responsibility of the tent installer/maintainer to determine the severity of the weather, proper time and method of installation and/or erection and disassembly. **Note: We recommend that snow and ice be removed from the tent surface as soon as possible because accumulation will damage the tent or fabric structure. Please consult with our Engineering Department about the maximum loads for each product.**

This product has been manufactured for use as a temporary sunshade structure. For the safety of all occupants, evacuation is recommended if threatening weather occurs, or if there is any doubt concerning the safe use of this product.

4. Proper safety equipment should be used at all times to insure a safe installation and take down. We suggest a careful evaluation be made to determine safety equipment needed, such as hard hats, steel-toe shoes, safety glasses and other as required. It is our desire that all installations are safe. Please be aware of hidden dangers both underground, i.e., gas lines, water lines, electrical lines, etc. and above the tent such as power lines and telephone lines.
5. Anchor stands behind its products in accordance with its standard Terms and Conditions of sale. A copy of our Terms and Conditions of Sale can be obtained by contacting Anchor at the telephone number and/or address on this document.