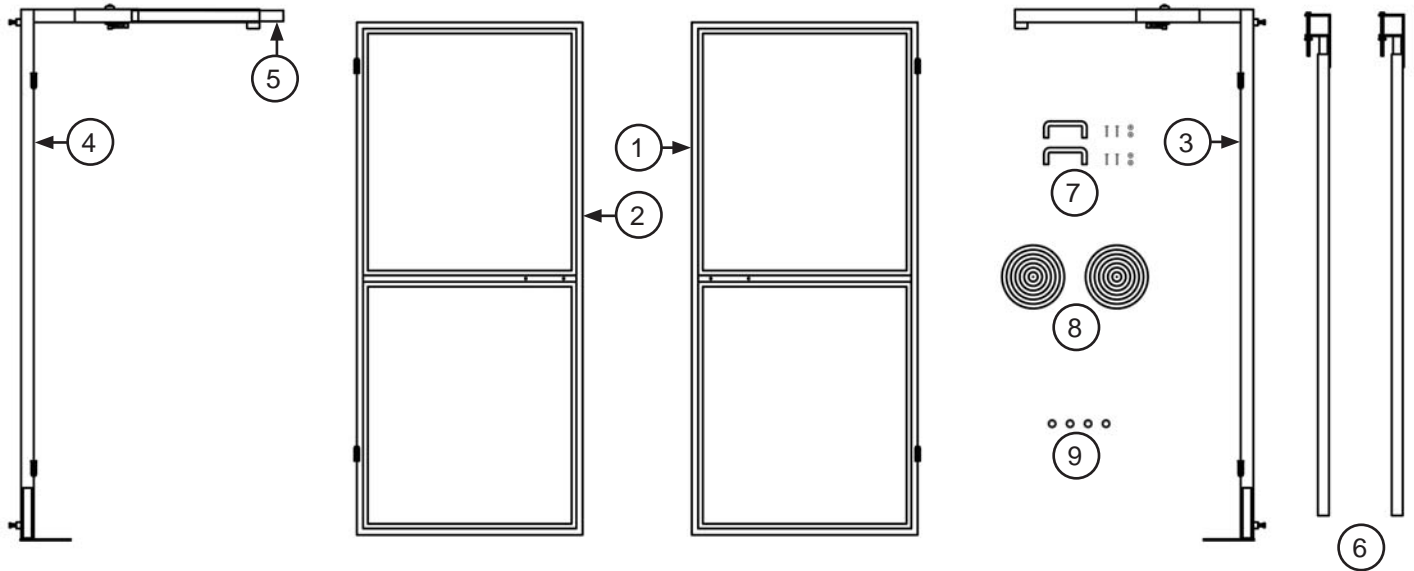


# Installation Instructions

## Commodoor

### Components as Shipped



### COMMODOOR COMPONENT LIST

REF #	ITEM #	QTY.	DESCRIPTION
1	10413	1	Right Hand Door Leaf
2	10414	1	Left Hand Door Leaf
3	10502	1	Right Hand Double Door Frame with Adjustable Foot
4	10501	1	Left Hand Double Door Frame with Adjustable Foot
5	10902	1	Double Door Connector
6	10903	2	Vertical Connector Assembly
7	3401303	2	Aluminum Door Pull, Screws and Washers
8	4305030 & 4305035	20' Ea.	2" Hook & 2" Loop Adhesive Velcro
9	none	4	Hinge Bushings (part of Door Frame Hinges)

#### Tools Required: (not included)

- 3/4" Wrench
- Phillips Screwdriver
- Level

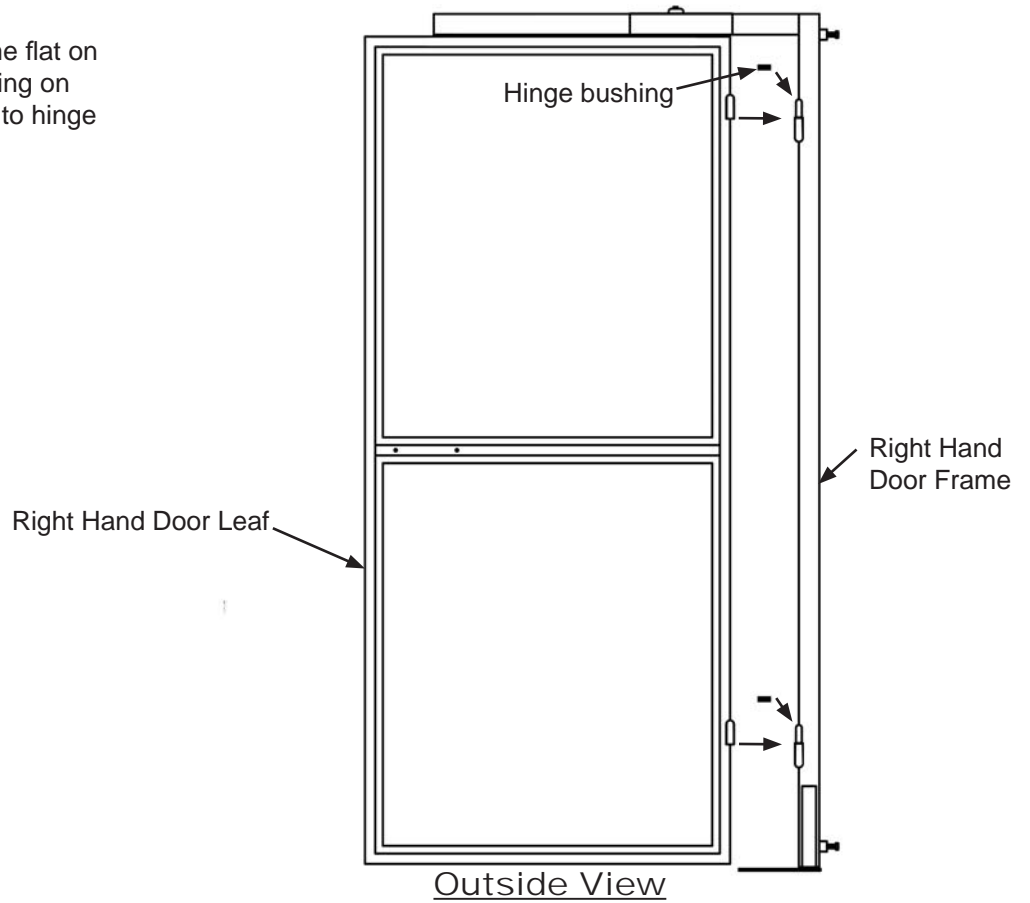


7701 Highway 41 N  
Evansville, IN 47725  
Phone: 812-867-2421  
Fax: 812-867-1429  
1-800-544-4445

email: tents@anchorinc.com  
www.anchorinc.com

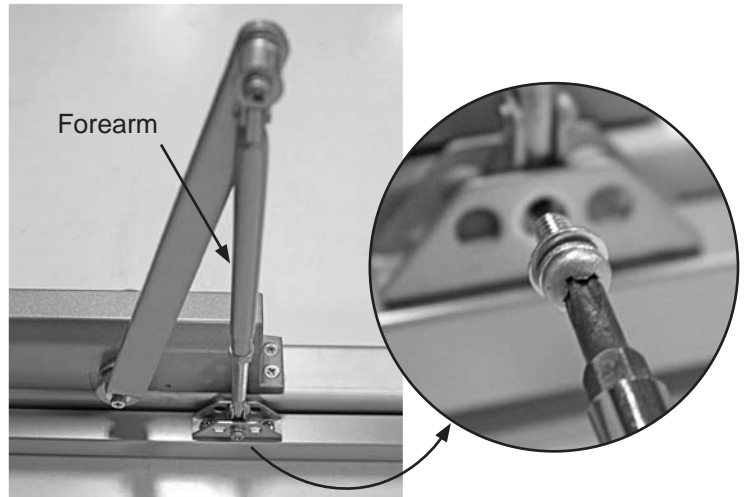
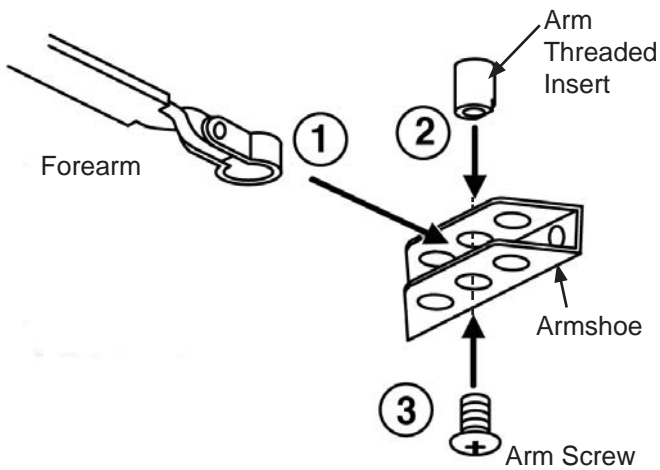
## Step 1

Lay door leaf with matching door frame flat on floor or ground. Place (1) hinge bushing on each of the hinges, then slide door onto hinge on top of bushing. Repeat with other door.



## Step 2

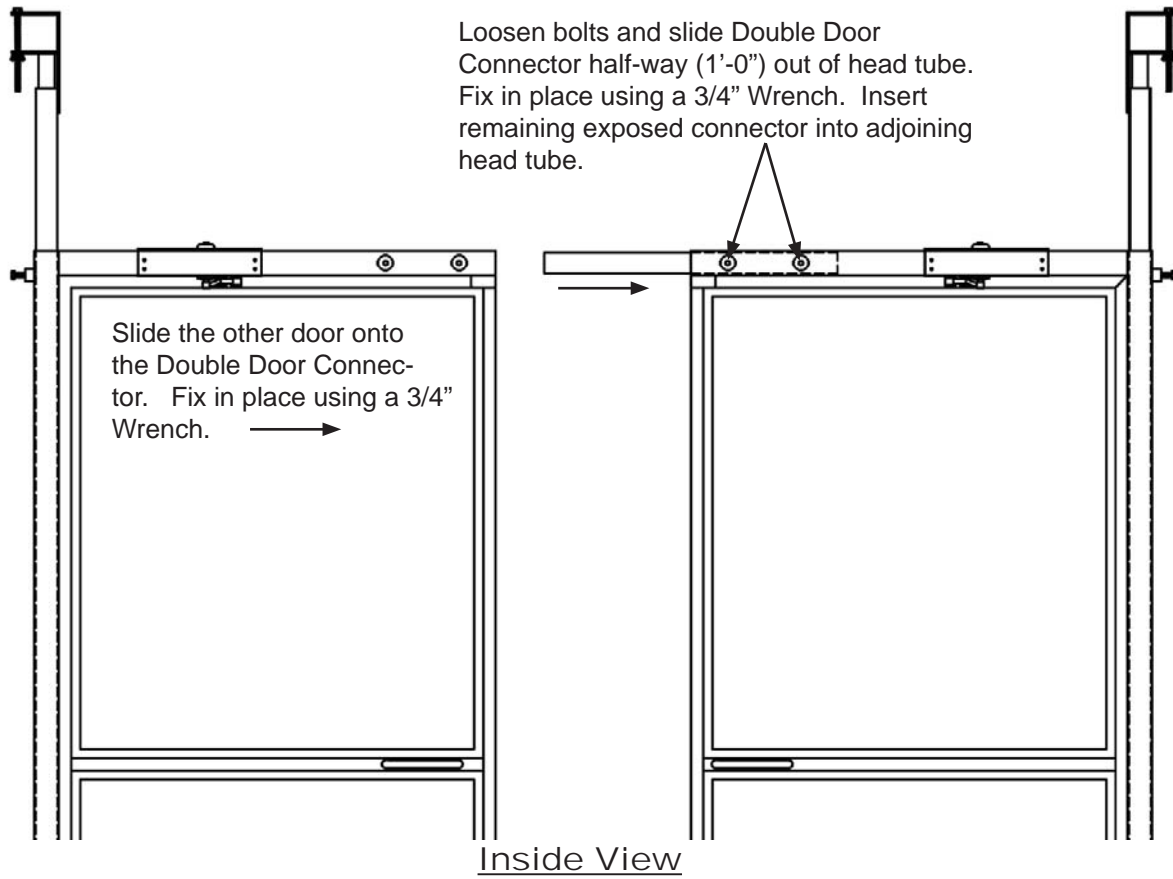
Install Closer Arm in the order as numbered.



### Note:

Arm Threaded Insert and Arm Screw are shipped in the Armshoe on door. Remove to install closer arm.

## Step 3

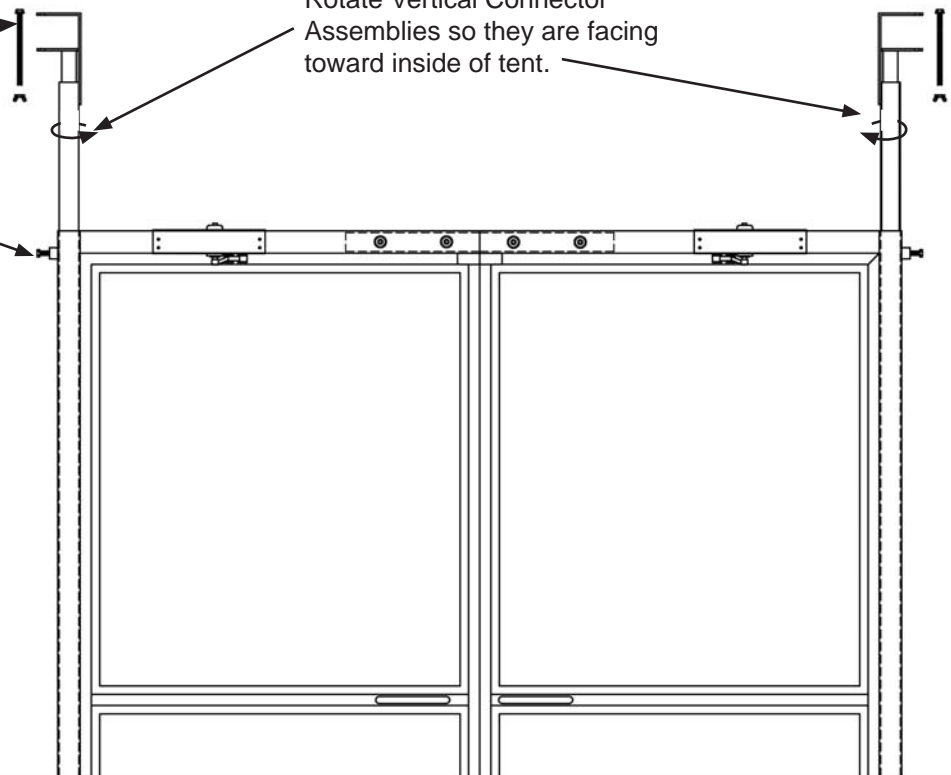


## Step 4

Remove 6" bolt, washer, & wing nut from vertical Connector Assemblies. Set Aside.

Loosen Bolts holding Vertical Connector Assemblies so that Connector Assemblies may be adjusted vertically.

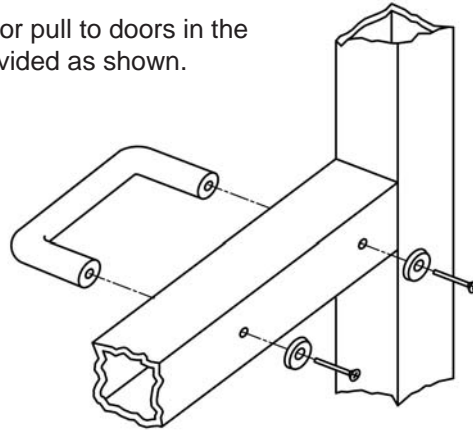
Rotate Vertical Connector Assemblies so they are facing toward inside of tent.



Inside View

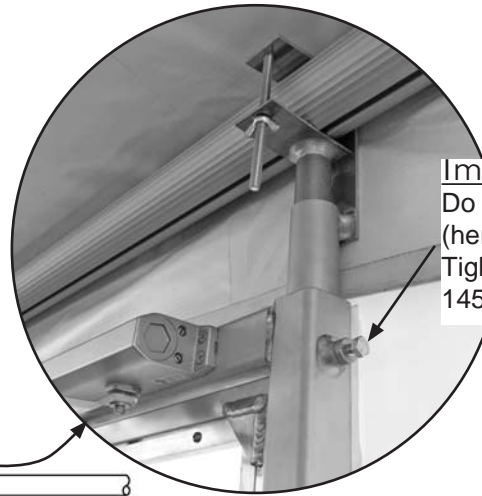
# Step 5

Attach door pull to doors in the holes provided as shown.

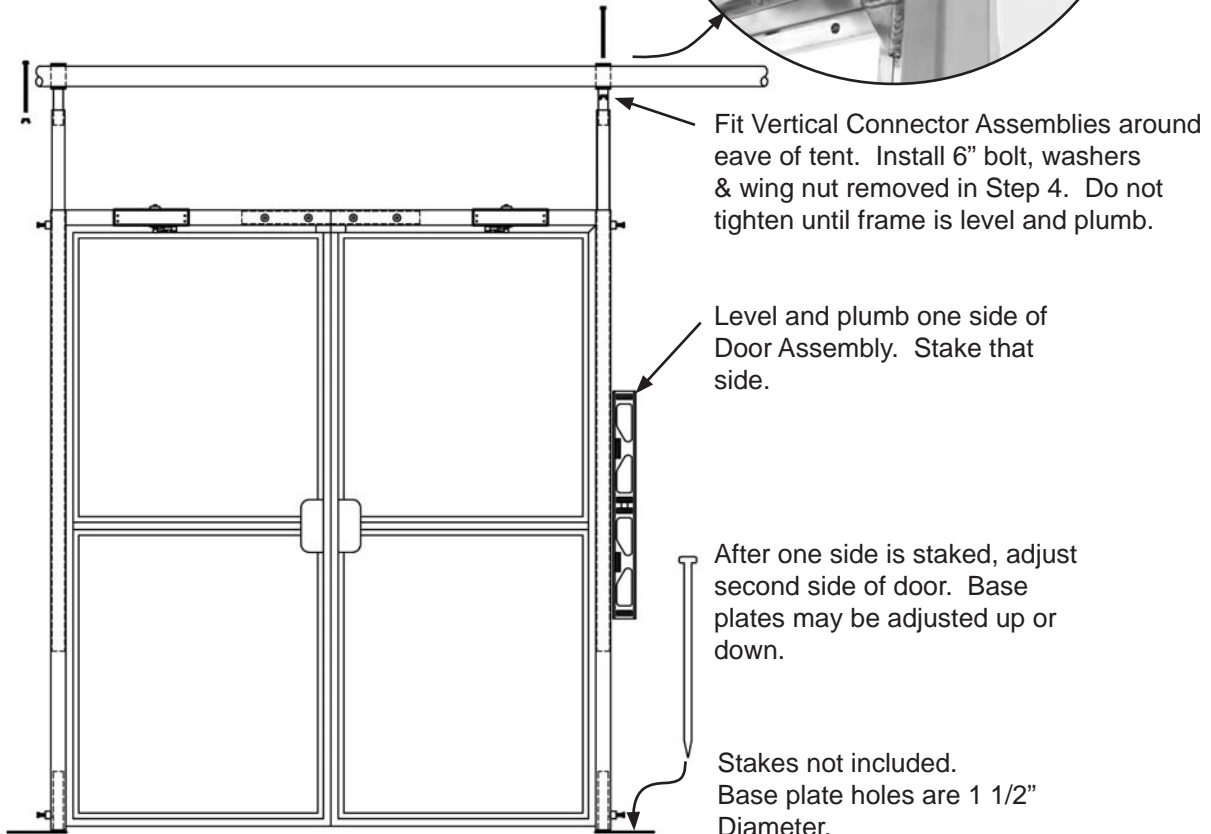


Inside View

# Step 6



Important Note:  
Do not over-tighten bolts (here and at base plate). Tighten to no more than 145 in.-lbs. of torque.



Fit Vertical Connector Assemblies around eave of tent. Install 6" bolt, washers & wing nut removed in Step 4. Do not tighten until frame is level and plumb.

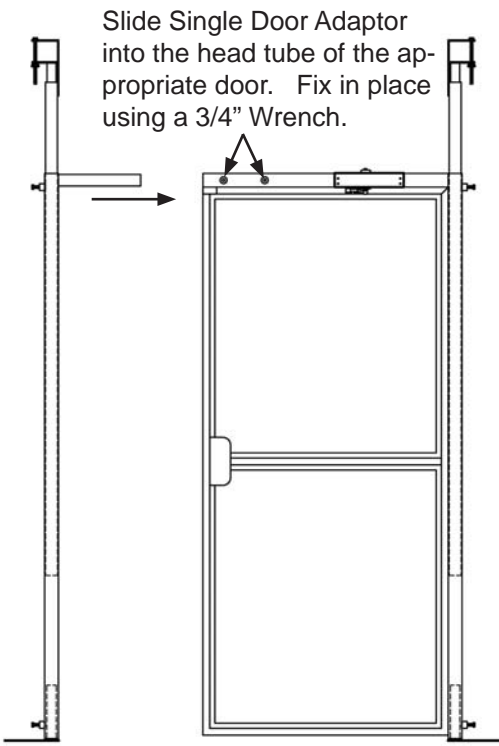
Level and plumb one side of Door Assembly. Stake that side.

After one side is staked, adjust second side of door. Base plates may be adjusted up or down.

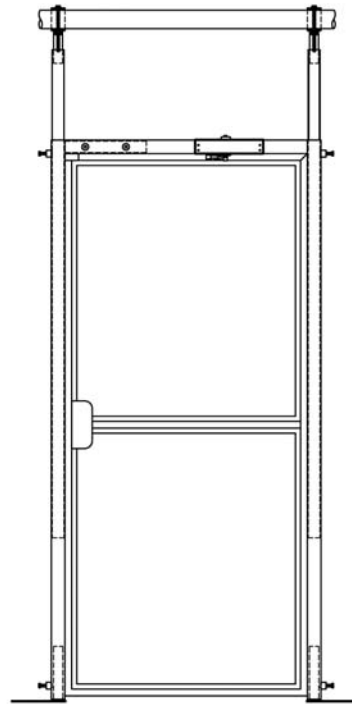
Stakes not included. Base plate holes are 1 1/2" Diameter.

Inside View

# Single Door



Single Door Adaptor      Right (or Left) Hand Door Assembly



Inside View



Note:  
Opening in wall to fit to Double Door is 6'-8 7/8" Tall x 5'-11 1/2" Wide.  
Single Door is: 6'-8 7/8" Tall x 2'-11 3/4" Wide.