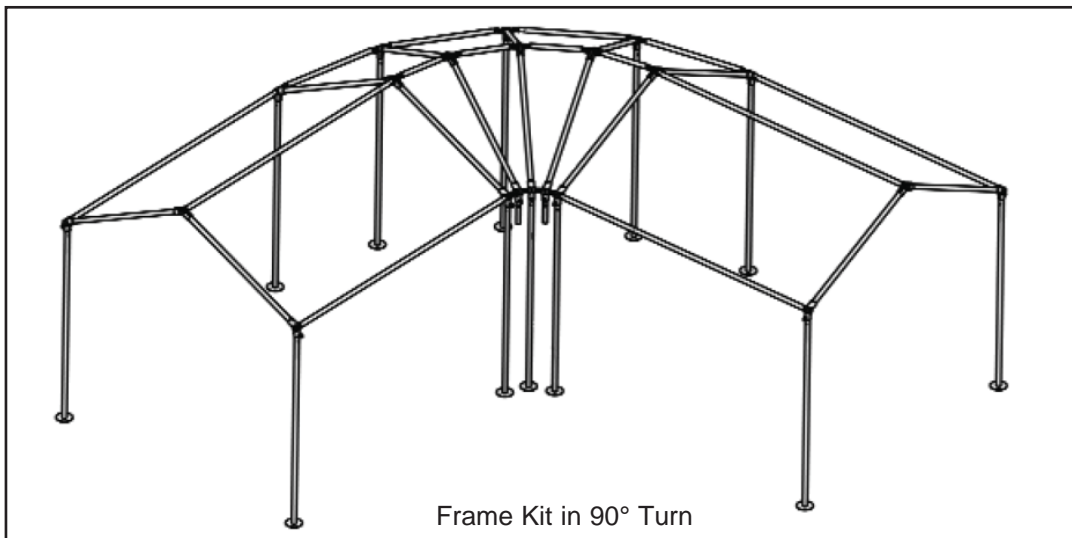
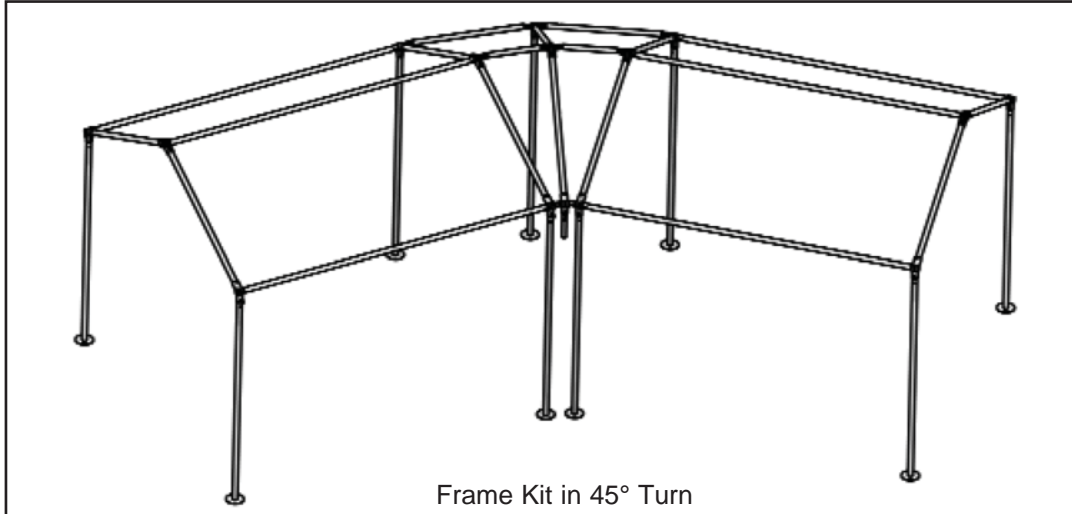


# Installation Instructions

## Fiesta® Marquee

### Round Corner Kits



Please read all assembly / installation instructions before the installation or removal of this product.



7701 Highway 41 N  
Evansville, IN 47725  
Phone: 812-867-2421  
Fax: 812-867-1429  
1-800-544-4445  
email: [tents@anchorinc.com](mailto:tents@anchorinc.com)  
[www.anchorinc.com](http://www.anchorinc.com)

**IMPORTANT NOTE:**

The Round Corner Kits are simply adapter kits that allow standard Fiesta Marquee frames to turn corners of 45 or 90 degrees.

The kits include only the unique parts needed to make these corner turns. The use of these kits assumes that the customer owns all the necessary standard Fiesta Marquee frame parts, including Rafters, Uprights, PTI and PTR Castings used in the corner turn itself, which are not included in the kits.

For a list of parts required in addition to these unique parts, please see the tables listing Required Standard Parts.



PARTS INCLUDED IN KITS			
Component Description	Inventory #	FRAME QUANTITIES PER KIT	
		45° Turn Kit 8085033	90° Turn Kit 8085031
PTE Custom Casting	8085034	6	6
Double PTE Welded Casting	8085035	3	9
Eave Bar	varies with frame size	2	4
Ridge Bar	varies with frame size	2	4
3/8"-16 x 1 1/2" Hex Hd Cap Screw, Grd. 5, zinc	3023220	10	20
3/8"-16 Hex Nut, zinc	3024340	10	20
3/8" Lock Washer, zinc	3025330	10	20

REQUIRED STANDARD PARTS (NOT INCLUDED IN KIT)			
Component Description	Inventory #	FRAME QUANTITIES PER KIT	
		45° Turn Kit 8085033	90° Turn Kit 8085031
Standard Upright	64360	1	4
Rafter	varies with frame size	2	6
PTI Casting	3551610A	2	6
PTR Casting	3551120A	2	4
Nail Stake	3701290	2	8
Web Guy	22010	1	4
30" Stake	3704201	10	20

Figure 1

**90° TURN KIT**  
**OVERHEAD VIEW**

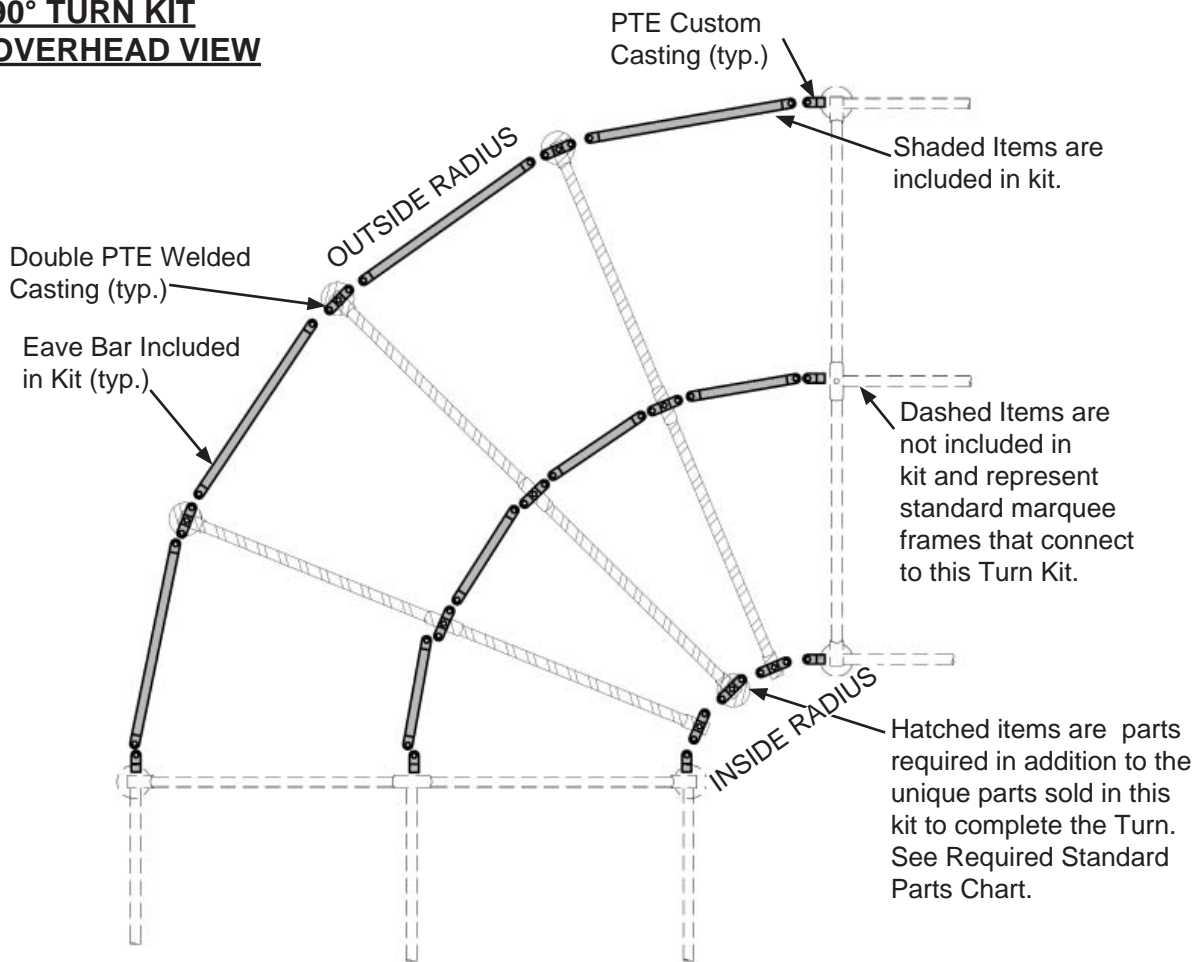
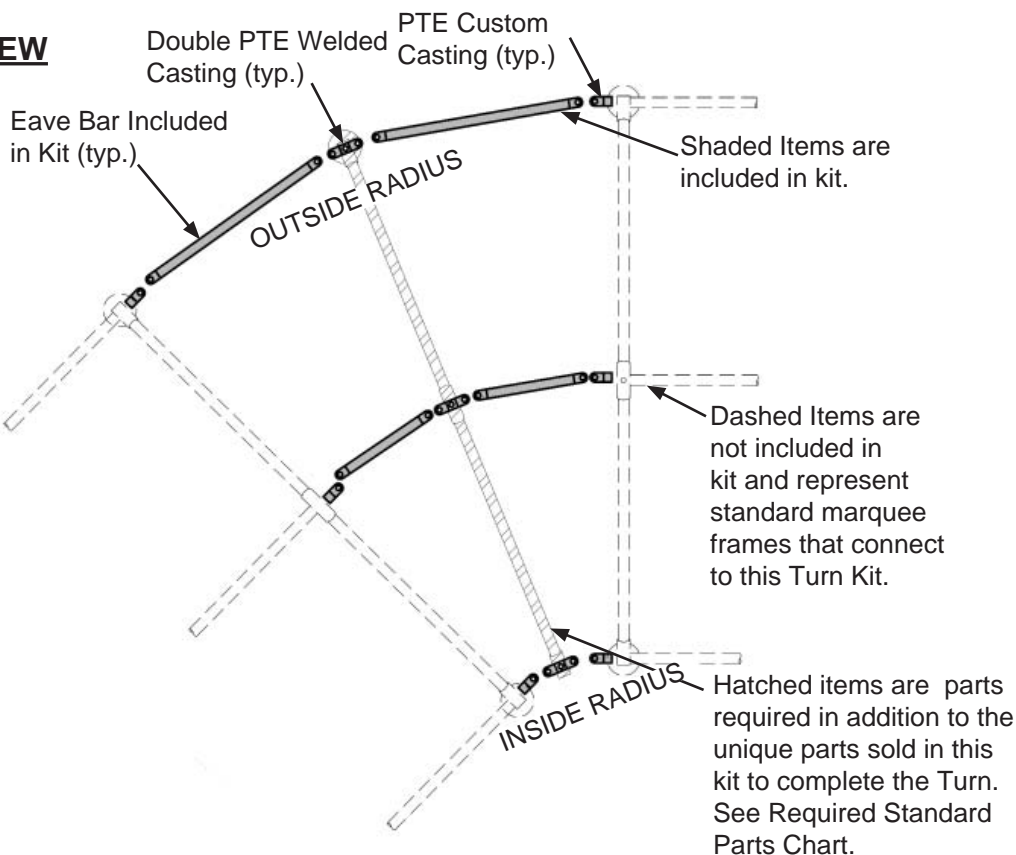


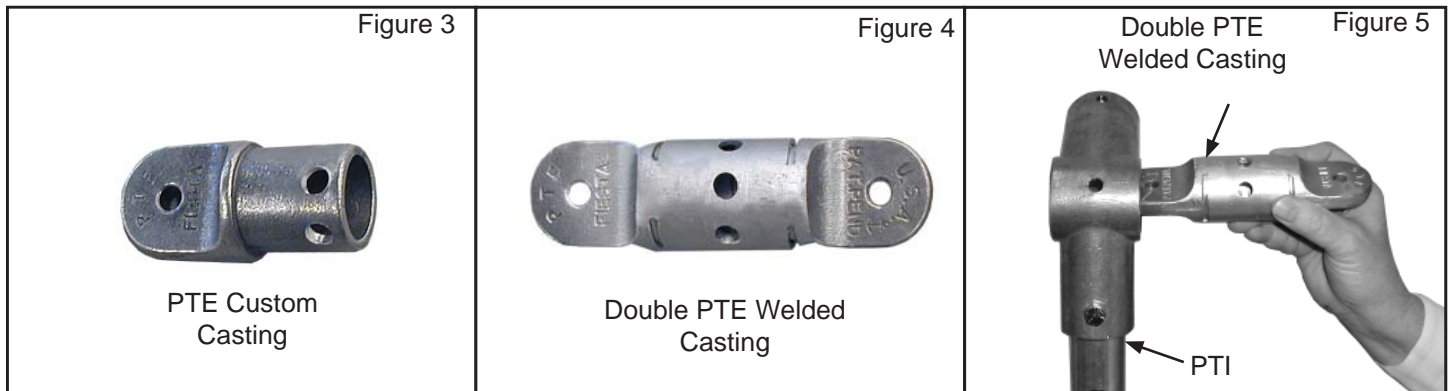
Figure 2

**45° TURN KIT**  
**OVERHEAD VIEW**

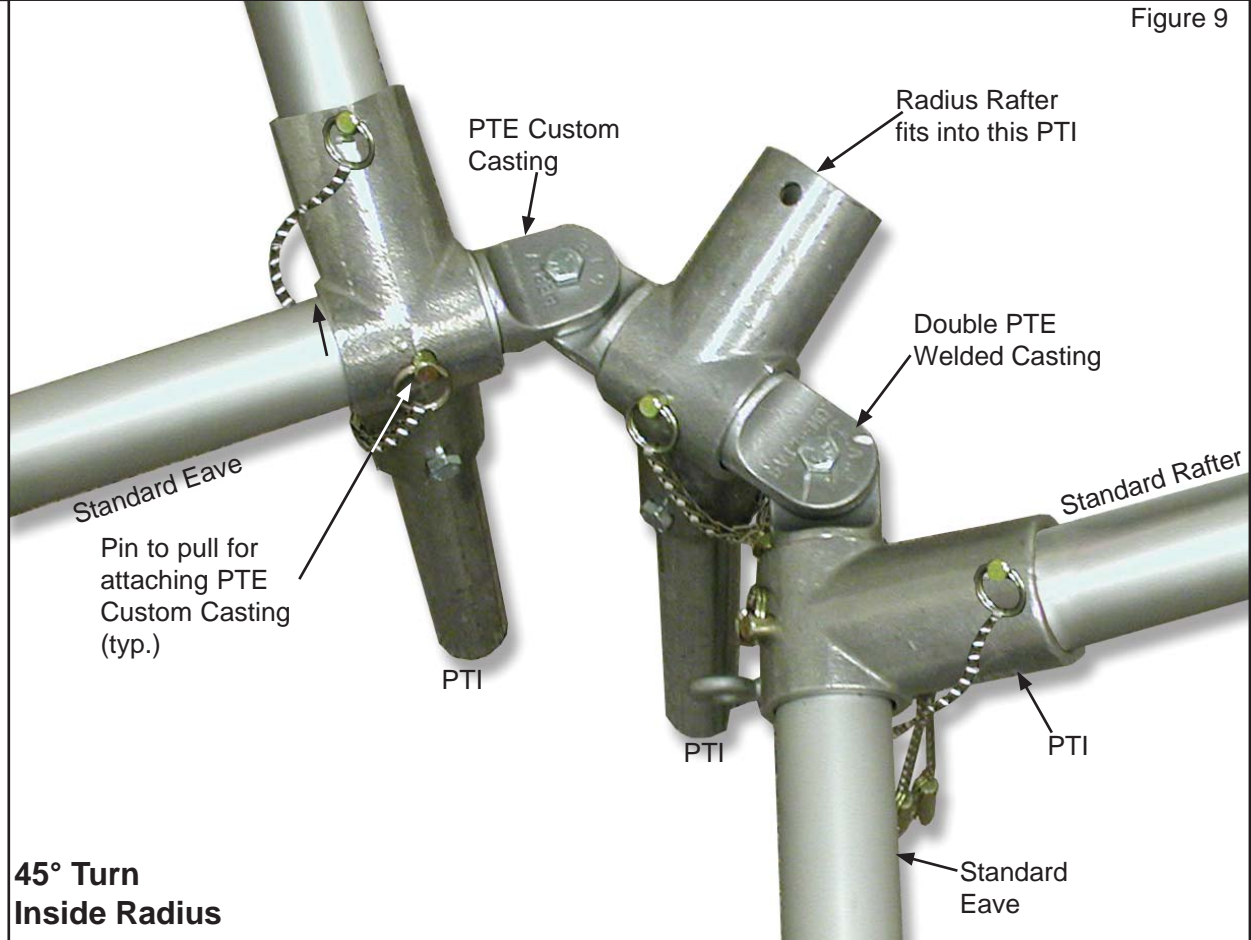
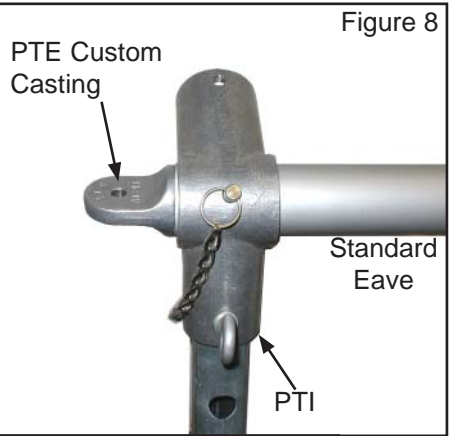
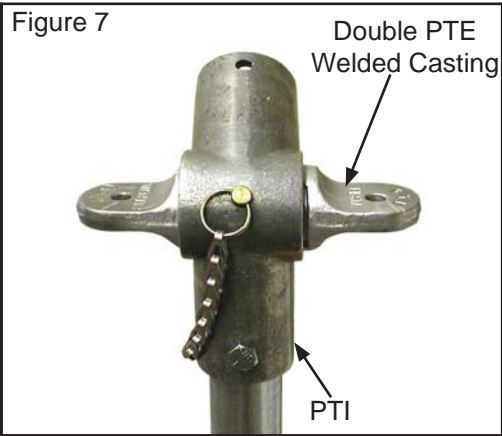
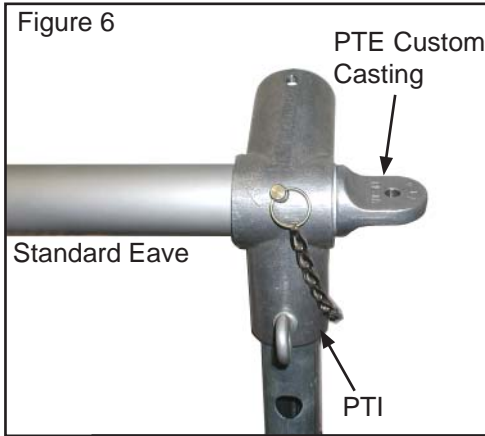


## INSTALLATION SEQUENCE AND GUIDELINES:

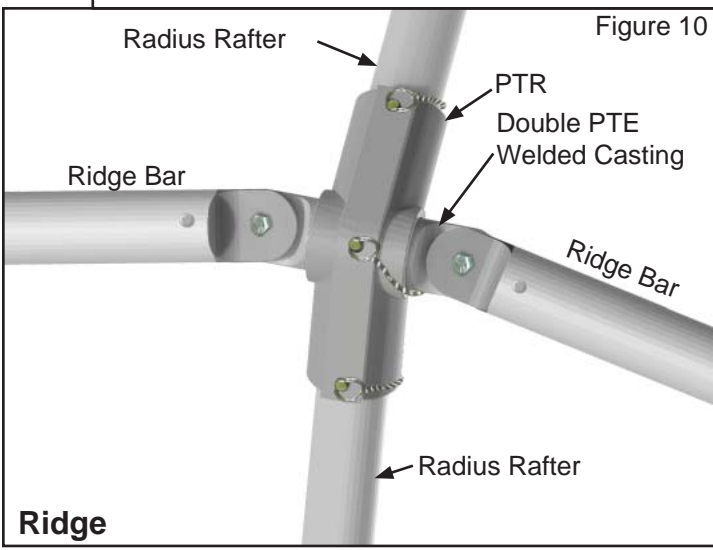
1. Refer to the standard Fiesta Marquee Frame installation instructions and assemble (2) standard Fiesta Marquee units, These units should be built without legs and be supported by the upright splices at the bottom of the PTI castings at the four corners of each unit. Align (1) unit as required for your installation site. Position the other near the opposite end of the intended radius. (See Figures 1 & 2)
2. Construct the inside radius using additional PTI's with PTE Custom Castings as follows: (See Figure 9)
  - a. On the standard eave that will lead into the turn, pull the pin that secures the eave bar to the PTI, insert a PTE Custom Casting into the PTI and the end of the eave bar, with the eye end facing the desired radius turn. On the shaft of the PTE Custom Casting choose the pin hole that will position the eye tab horizontal to the ground and replace the pin to re-secure the connection (See Figure 9). Repeat this process for the other standard unit (See Figure 9).
  - b. Into a second PTI, insert a Double PTE Welded Casting (See Figure 9), aligning the holes so that the eye ends will be horizontal with the ground, and pin with the small PTI pin. If you are constructing a 45° Turn, (1) PTI with the Double PTE will be all that is required. If you are constructing the 90° Turn, you will need to assemble (3) of these (See Figure 1).
  - c. Overlap the eye fitting of the inside radius casting and bolt together, using the 3/8"-16 X 1 1/2" Hex Hd Cap Screws with Nut and Washer. (See Figure 9)
3. Into the center PTI, install a standard Fiesta Marquee rafter and pin it. The end PTI's of the standard units should already have rafters installed, from Step 1 above.
4. At the upper end of the rafter installed in Step #3, install a standard PTR (see Figure 10). Into this PTR, install a Double PTE Welded Casting in the same way as it was installed into the PTI (See Figure 10). Choose the pin hole that will result in the eye fittings being horizontal to the ground.
5. Into the PTR of the ridge at ends of each Standard Marquee unit, remove the small pin, install PTE Custom Castings and replace the pin, with the eyes horizontal to the ground.
6. Using (2) Ridge Bars, connect the Double PTE in the ridge PTR of the radius rafters to the PTE Custom Castings in the PTRs of each standard Marquee unit. For 45° angles, adjust the position of the standard units as necessary to overlap the PTE s and bolt with a 3/8"-16 X 1 1/2" Hex Hd Cap Screws with Nut and Washer. If you are installing a 90° Turn, repeat steps 3 thru 5 on (2) additional radius rafter assemblies, interconnecting each rafter with Ridge Bars (See Figure 10)
7. On the opposite side of the ridge, install additional radius rafters extending toward the outside radius of the angled framing.
8. On the opposite eave, construct the outside radius in the same manner as the inside radius (See step #2 above), but develop the needed spacing by installing an Eave Bar between the eyes of the Custom PTEs of the standard units and the Double PTEs of the radius rafter assemblies, and also between the Double PTEs themselves of the radius rafter assemblies.
9. Snap guy webs to the eave fittings of the entire frame, but leave them slack so as not to impede the later lifting of the frame.
10. Refer to the standard Fiesta Marquee Instructions and install the fabric tops to all units.
11. Lift the frames and insert legs under all PTIs along the eave line of the standard units and the Middle PTI of the radius sections.
12. Refer to the standard Fiesta Marquee Instructions and tighten all guy webs to secure the unit.



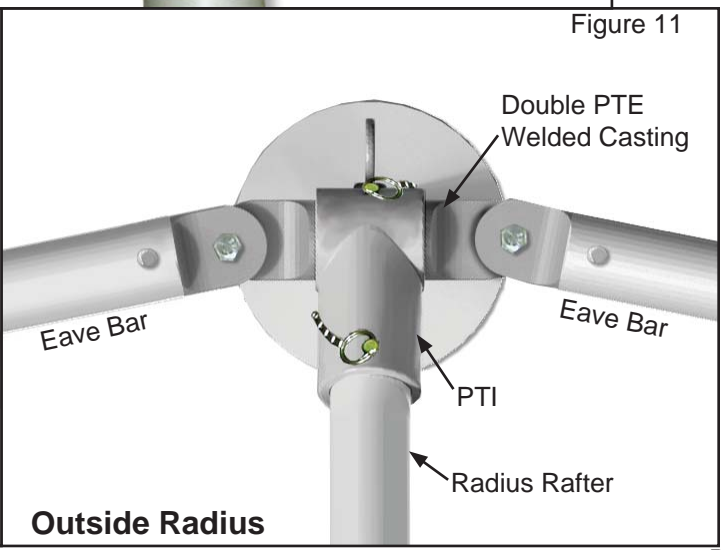




**45° Turn  
Inside Radius**



**Ridge**



**Outside Radius**



**PHONE NUMBER**  
812 · 867 · 2421

**FAX NUMBER**  
812 · 867 · 1429

Anchor products are of superior design and operate best within the parameters of these instructions. It is imperative that the instructions be carefully read and **COMPLETELY FOLLOWED**. Please read installation instructions before the installation or removal of this product. Installation instructions are available online at [www.anchorinc.com](http://www.anchorinc.com) or by calling 1-800-544-4445.

### CAUTION:

1. For each installation, the installer is solely responsible for evaluating the site and the proper securing method determined. Some soils require different staking or securing than that provided with the tent. Due to this variety of soil conditions, these are the manufacturer's suggested sequence of installation procedures. Anchor's responsibility is limited to the manufacture of the tent parts and materials. We are not responsible for methods that installers may choose to erect and secure the tent to the ground.
2. The number of stakes suggested in the installation instructions do not necessarily meet all or any relevant codes on the site of the tent installation. The number of stakes suggested **will, in many cases, keep the tent erected**, however, due to various soil conditions; these stakes will be insufficient **to keep the tent secure in high winds**. It is the tent installer's responsibility, not the manufacturer, to determine the appropriate number of stakes to meet the necessary wind loads on the site. Regardless of the number of stakes we suggest, we make no representation or warranty as to whether this specific number of stakes will meet the local tent code. Anchor does not, nor can it make any suggestions, representation, or warranties about the adequate staking required at each specific installation site. Staking information provided in the installation instructions **is not a suggestion about what is necessary to meet a site-specific load**.

**For additional important information, consult: "The IFAI Procedural Handbook For the Safe Installation and Maintenance of Tentage" and the IFAI Pocket Guide "Pullout Capacity of Tent Stakes", both available from the IFAI Tent Rental Division on their website ([www.ifai.com](http://www.ifai.com)).**

3. Inasmuch as the weather is unpredictable, good judgment and common sense must be incorporated within installation guidelines. It is the responsibility of the tent installer/maintainer to determine the severity of the weather, proper time and method of installation and/or erection and disassembly. **Note: We recommend that snow and ice be removed from the tent surface as soon as possible because accumulation will damage the tent or fabric structure. Please consult with our Engineering Department about the maximum loads for each product.**

This product has been manufactured for use as a temporary structure. For the safety of all occupants, evacuation is recommended if threatening weather occurs, or if there is any doubt concerning the safe use of this product.

4. Proper safety equipment should be used at all times to insure a safe installation and take down. We suggest a careful evaluation be made to determine safety equipment needed, such as hard hats, steel-toe shoes, safety glasses and other as required. It is our desire that all installations are safe. Please be aware of hidden dangers both underground, i.e., gas lines, water lines, electrical lines, etc. and above the tent such as power lines and telephone lines.
5. Anchor stands behind its products in accordance with its standard Terms and Conditions of sale. A copy of our Terms and Conditions of Sale can be obtained by contacting Anchor at the telephone number and/or address on this document.