

Installation Instructions

PZ-Series Hex End Appendix

Use this Appendix with the Anchor Structure PZ Installation Manual

1 Assemble main arch as noted in the standard PZ instruction manual.

Use (4) installers to raise beam to vertical.

After beam is raised, hold in place using (2) installers.

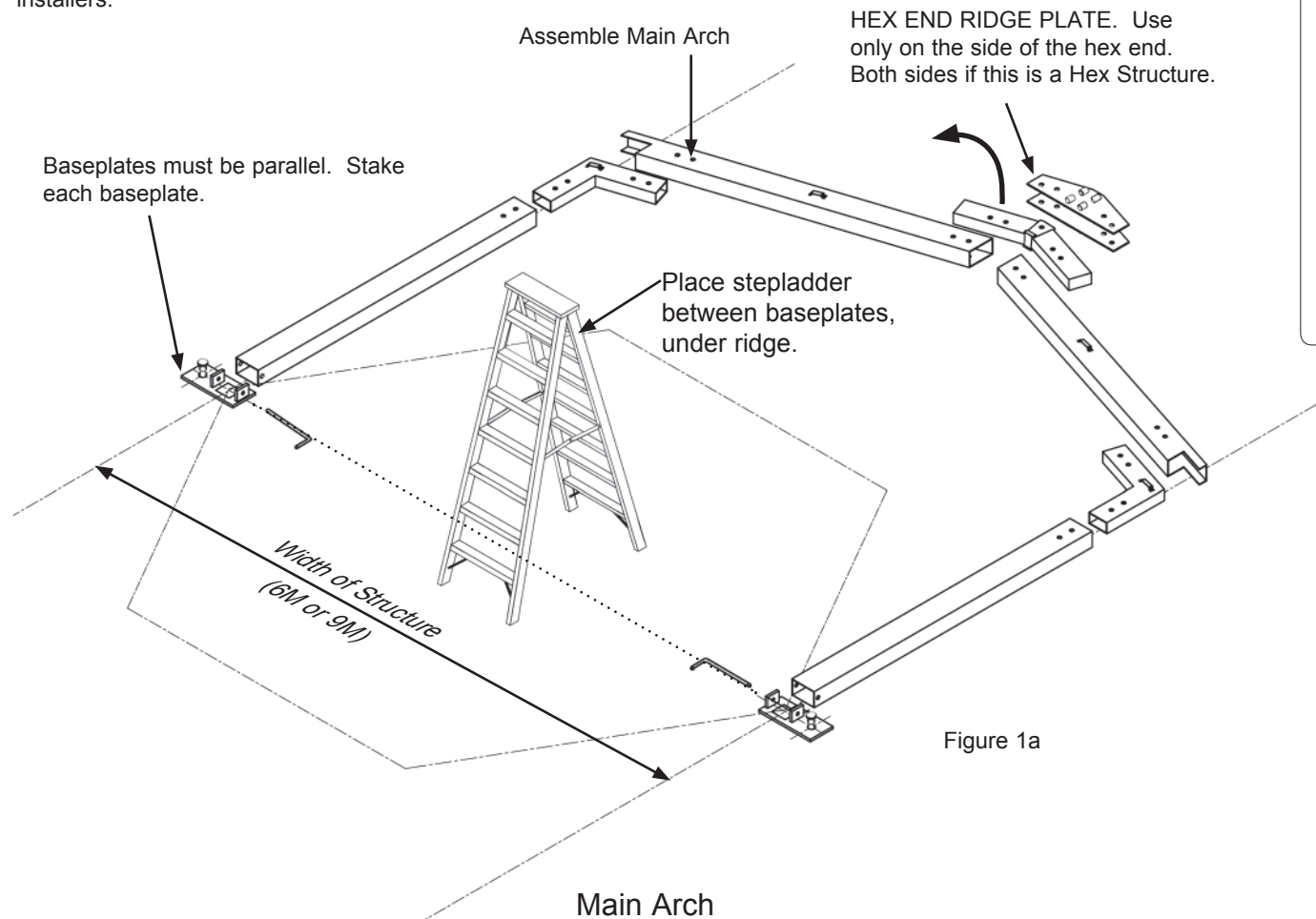


Figure 1a



Hex ends may be used together or as an end to a standard rectangular building.



7701 Highway 41 N

Evansville, IN 47725

Phone: 812-867-2421

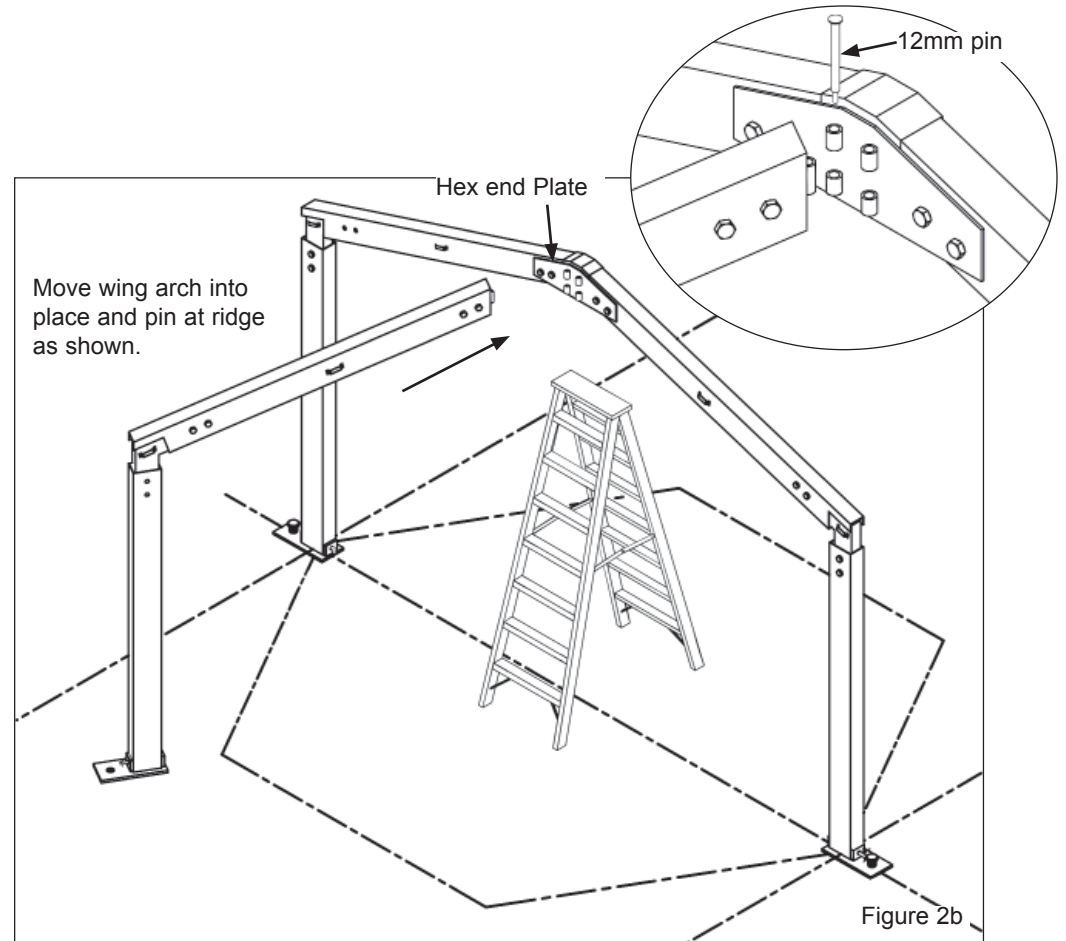
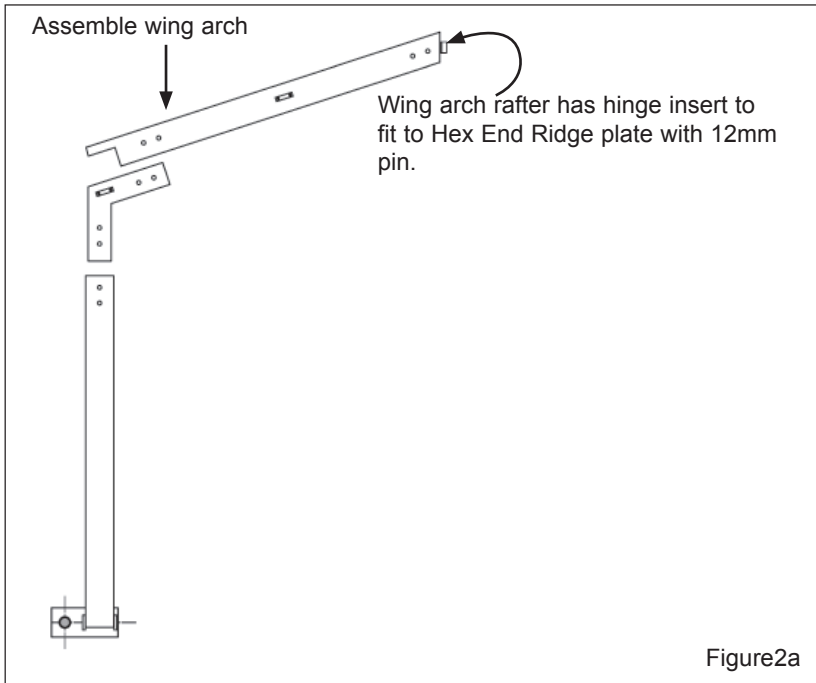
Fax: 812-867-1429

1-800-544-4445

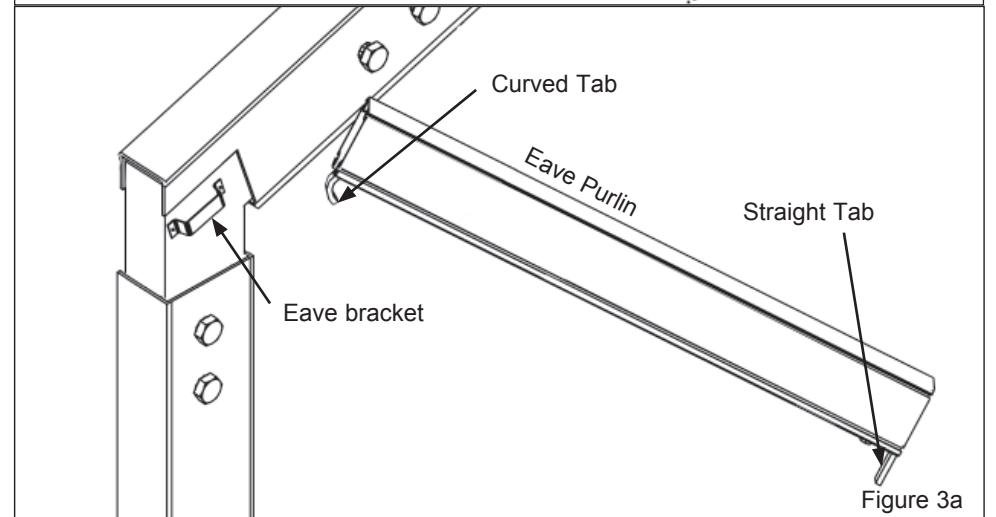
email: tents@anchorinc.com

www.anchorinc.com

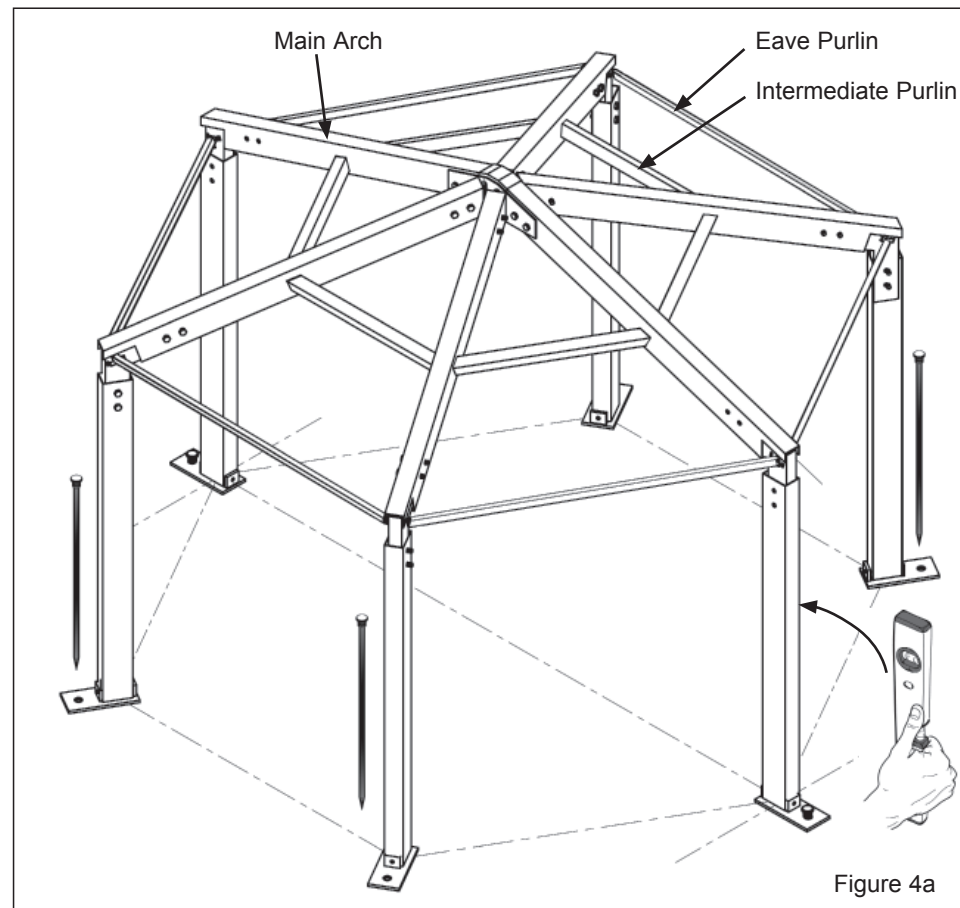
- 2** Continue holding the main arch with (2) installers.
 Assemble wing arch just as you would assemble a standard arch, beginning at base plate. Use (2) installers to raise arch to vertical. Move arch to ridge and attach with pin as shown in Figure 2b.
 Continue raising and attaching wing arches until they are all raised. Do Not stake wing arches at this time.



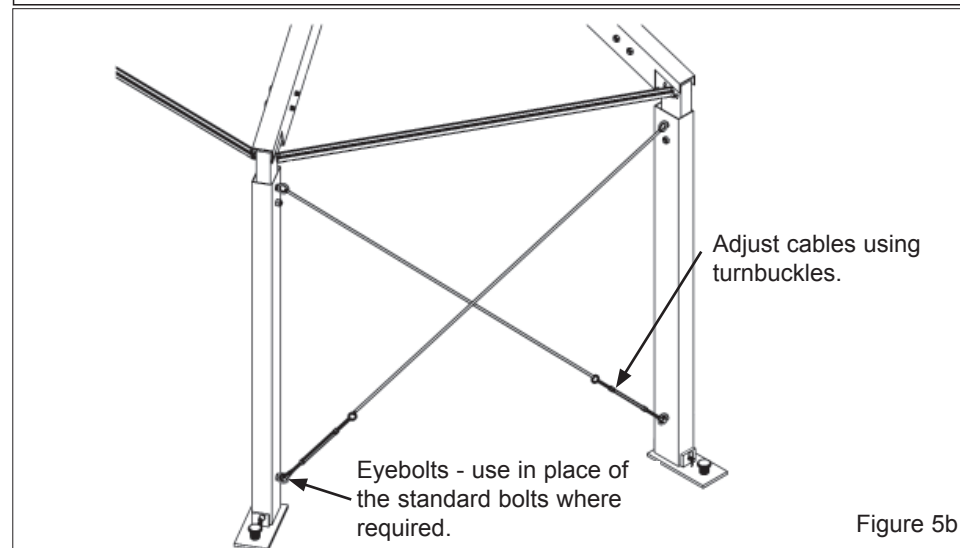
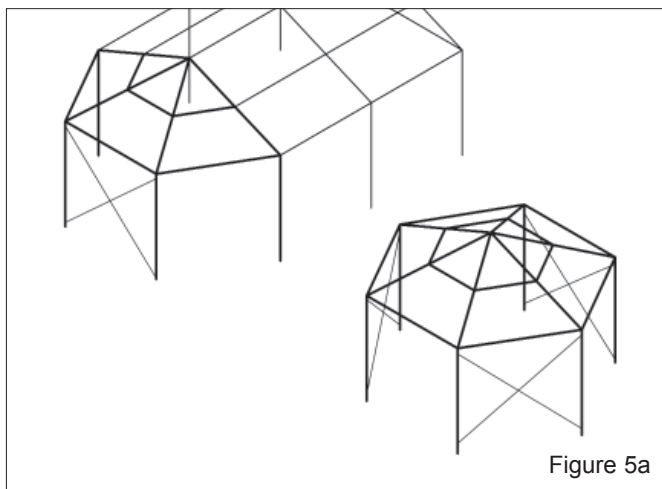
- 3** Install Eave purlins all around Hex end. Insert curved tab of purlin into eave bracket first, then, using a purlin fork, lift the other end of the purlin and drop into the bracket of the adjacent arch.



- 4** After Eave purlins are installed check that uprights are vertical. Adjust where required.
- Install intermediate purlins all around in the same manner that eave purlins were installed.
- After installation of purlins and checking that all uprights are vertical, stake remaining baseplates.

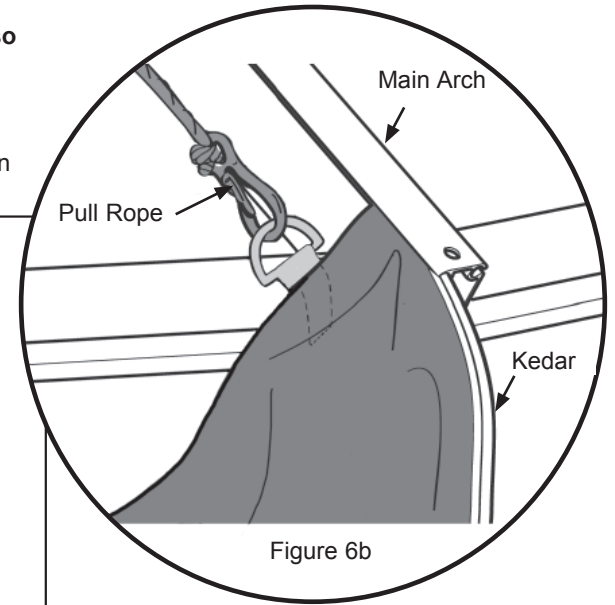
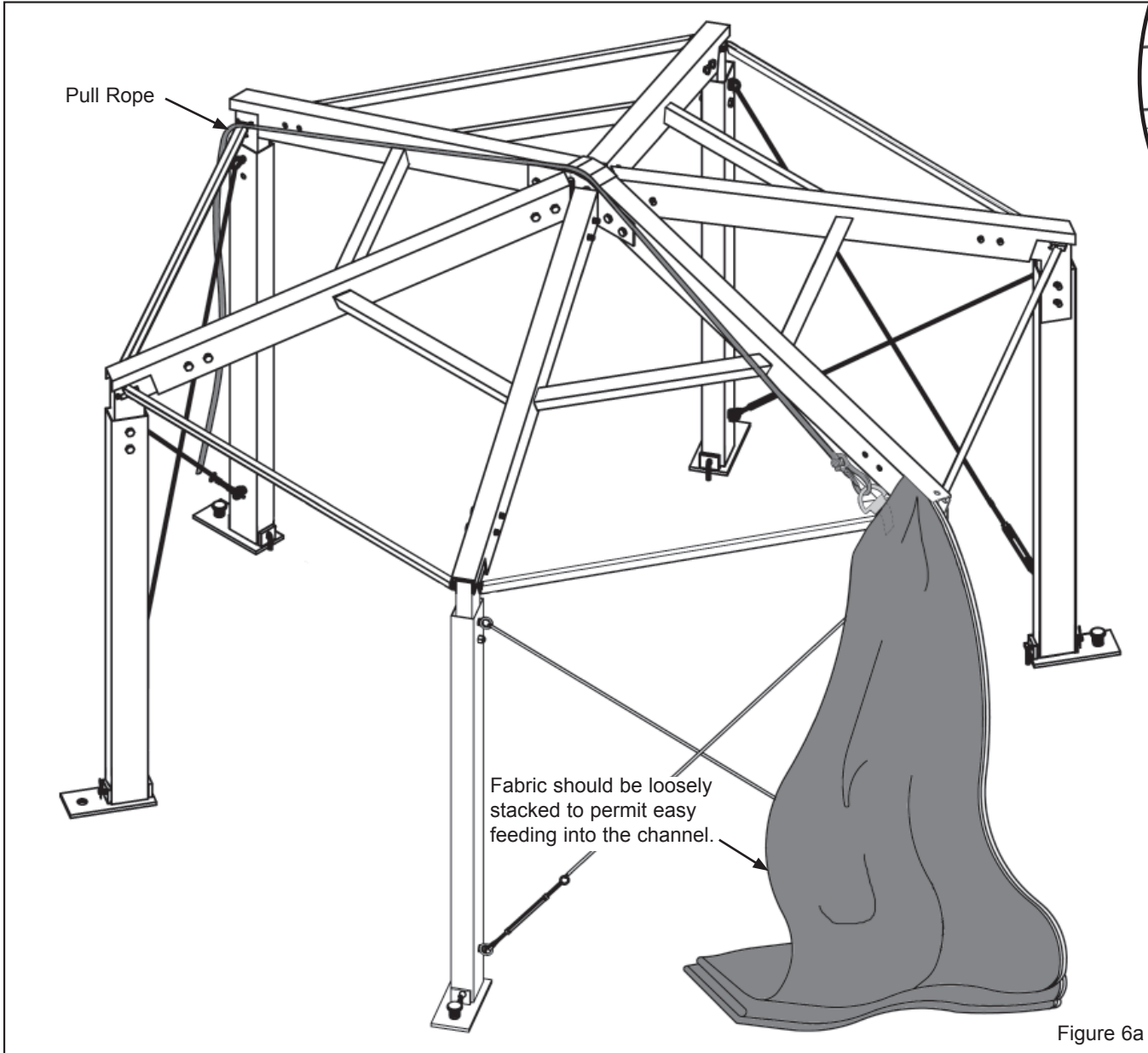


- 5** Upright Cross-cables are required on one bay for a hex end on a rectangular frame and at every other bay on a hex tent. See Figure 5a.
- Use eyebolts for connection of Cross-cables as shown on Figure 5b.



- 6** Throw the snap end of a pull rope over to other side of tent at the Main Arch. **Caution: Make certain area is clear so as not to strike anyone while throwing the pull rope over the top.**

Using a drop-cloth, lay the fabric next to the bottom of the upright on the snap side of the frame. Snap the pull rope onto the ring near the kedar edge. One or two installers must be assigned the job to make sure the fabric does not twist or get caught on the frame to prevent damage to fabric. Two installers pulling the fabric slowly and in unison can pull the fabric up and over the frame.



- 7 After fabric is pulled into frame channels, fabric must be tensioned into place by one of two methods. Figures 7a & 7b show the Tension bar method. This is the same method as shown in the standard PZ instructions. The difference is that at the corner, a hinged tension bar will be used. See Figure 7b.

Figure 7c shows Bungee Cord method.

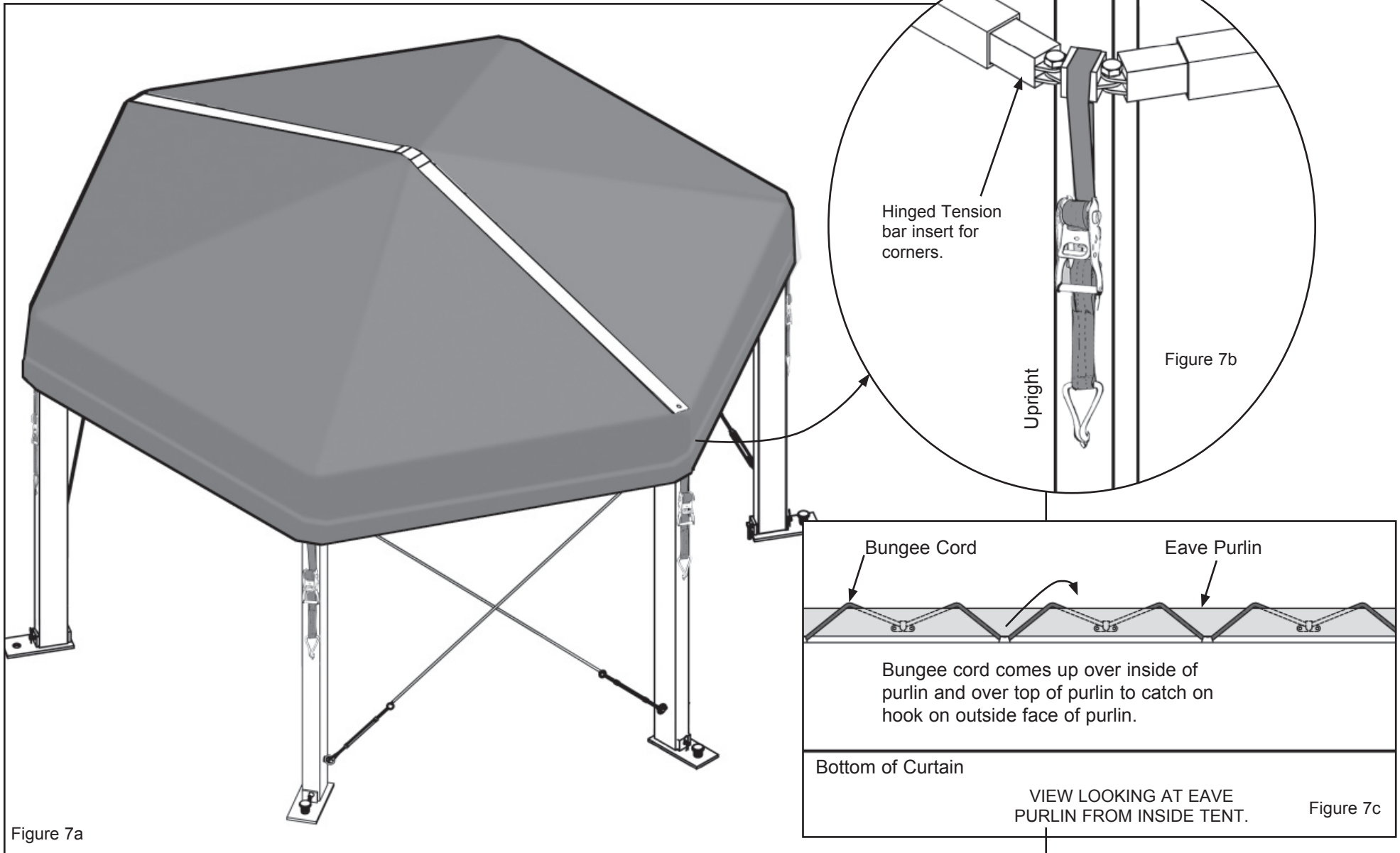


Figure 7a

Figure 7c



PHONE NUMBER
812-867-2421

FAX NUMBER
812-867-1429

Anchor products are of superior design and operate best within the parameters of these instructions. It is imperative that the instructions be carefully read and COMPLETELY FOLLOWED. Please read installation instructions before the installation or removal of this product. Installation instructions are available online at www.anchorinc.com or by calling 1-800-544-4445.

CAUTION:

1. For each installation, the installer is solely responsible for evaluating the site and the proper securing method determined. Some soils require different staking or securing than that provided with the tent. Due to this variety of soil conditions, these are the manufacturer's suggested sequence of installation procedures. Anchor's responsibility is limited to the manufacture of the tent parts and materials. We are not responsible for methods that installers may choose to erect and secure the tent to the ground.
2. The number of stakes suggested in the installation instructions do not necessarily meet all or any relevant codes on the site of the tent installation. The number of stakes suggested will, in many cases, keep the tent erected, however, due to various soil conditions; these stakes will be insufficient to keep the tent secure in high winds. It is the tent installer's responsibility, not the manufacturer, to determine the appropriate number of stakes to meet the necessary wind loads on the site. Regardless of the number of stakes we suggest, we make no representation or warranty as to whether this specific number of stakes will meet the local tent code. Anchor does not, nor can it make any suggestions, representation, or warranties about the adequate staking required at each specific installation site. Staking information provided in the installation instructions is not a suggestion about what is necessary to meet a site-specific load.
2. For additional important information, consult: "The IFAI Procedural Handbook For the Safe Installation and Maintenance of Tentage" and the IFAI Pocket Guide "Pullout Capacity of Tent Stakes", both available from the IFAI Tent Rental Division or on our website.
3. Inasmuch as the weather is unpredictable, good judgment and common sense must be incorporated within installation guidelines. It is the responsibility of the tent installer/maintainer to determine the severity of the weather, proper time and method of installation and/or erection and disassembly. Note: We recommend that snow and ice be removed from the tent surface as soon as possible because accumulation will damage the tent or fabric structure. Please consult with our Engineering Department about the maximum loads for each product.
4. This product has been manufactured for use as a temporary structure. For the safety of all occupants, evacuation is recommended if threatening weather occurs, or if there is any doubt concerning the safe use of this product.
4. Proper safety equipment should be used at all times to insure a safe installation and take down. We suggest a careful evaluation be made to determine safety equipment needed, such as hard hats, steel-toe shoes, safety glasses and other as required. It is our desire that all installations are safe. Please be aware of hidden dangers both underground, i.e., gas lines, water lines, electrical lines, etc. and above the tent such as power lines and telephone lines.
5. Anchor stands behind its products in accordance with its standard Terms and Conditions of sale. A copy of our Terms and Conditions of Sale can be obtained by contacting Anchor at the telephone number and/or address on this document.