

Installation Instructions

Venue Series - Bodega Appendix

Use this Appendix with the Anchor Structure
Venue Series Instruction Manual



Please read all assembly / installation instructions before the installation or removal of this product.

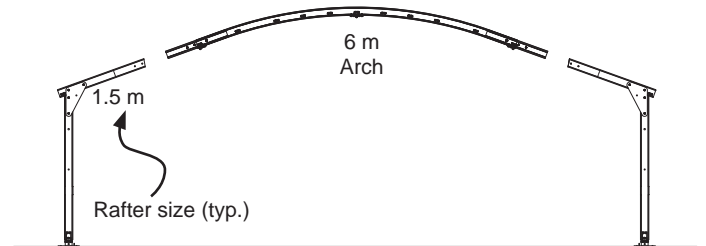
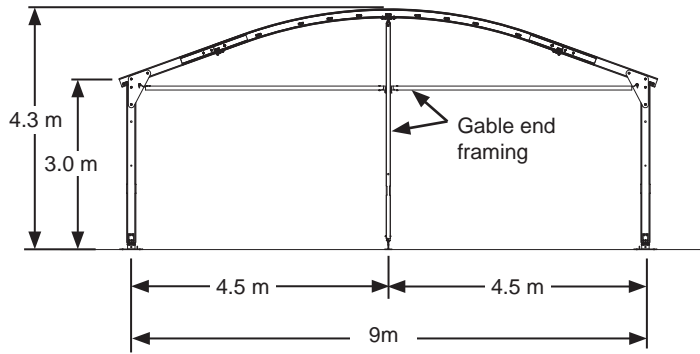


7701 Highway 41 N
Evansville, IN 47725
Phone: 812-867-2421
Fax: 812-867-1429
1-800-544-4445
email: tents@anchorinc.com
www.anchorinc.com

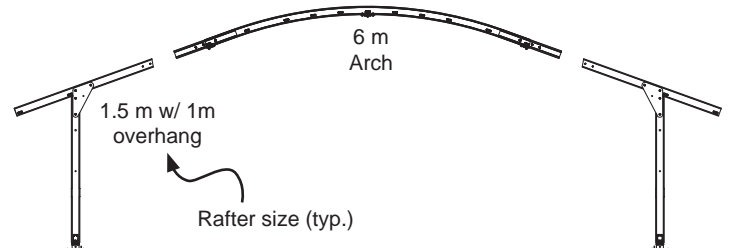
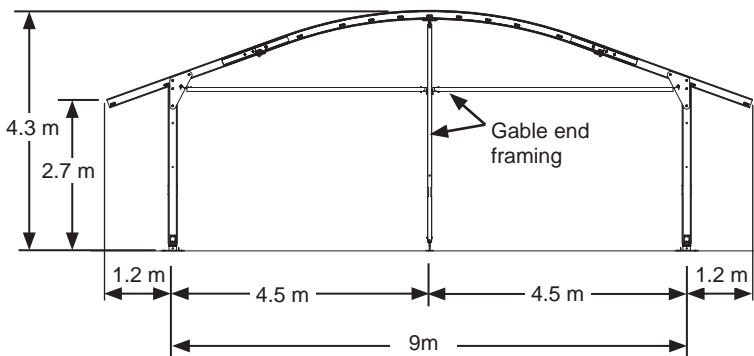
Note: Follow the standard Anchor Venue Assembly Instructions. This structure is assembled in the same manner as the standard structure except as noted.

VENUE BODEGA SIZES AND CONFIGURATIONS

9 METER

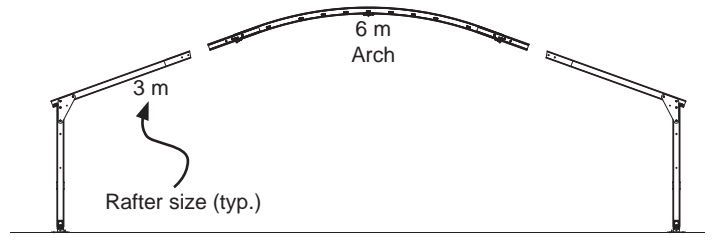
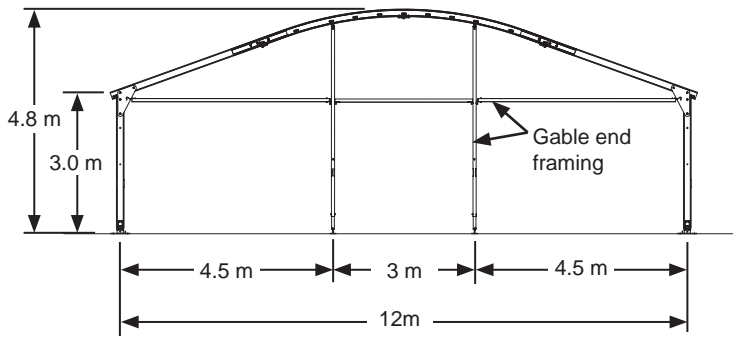


9 METER

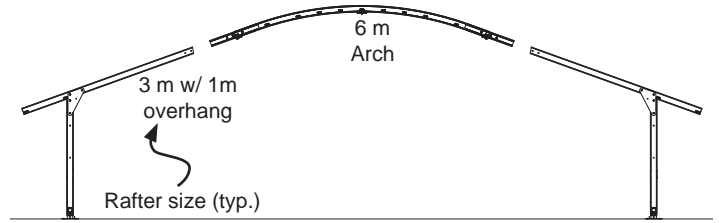
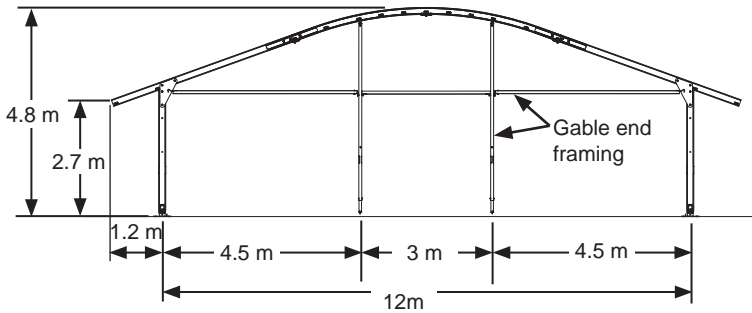


9 METER w/Overhang

12 METER

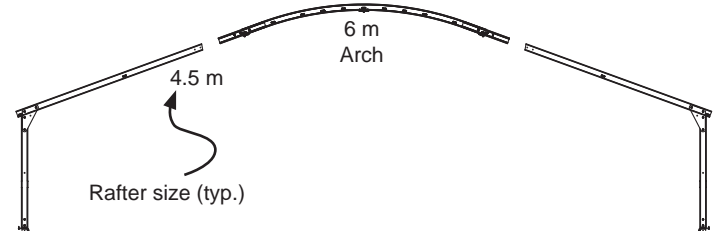
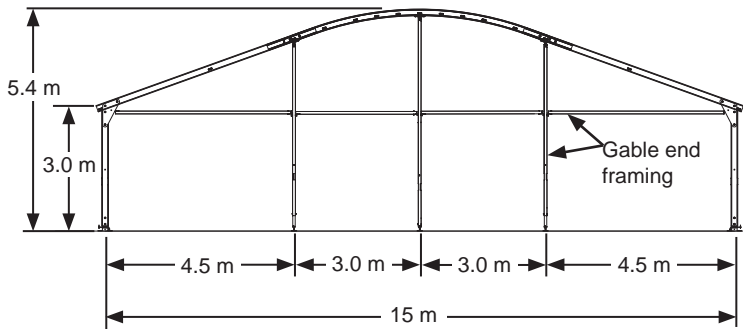


12 METER

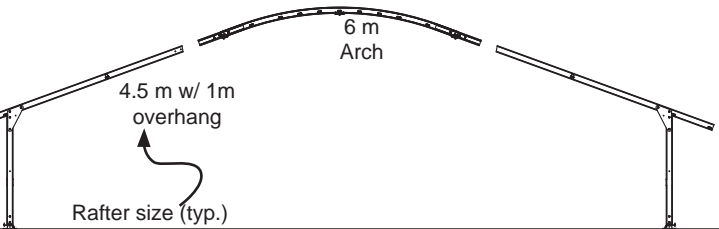
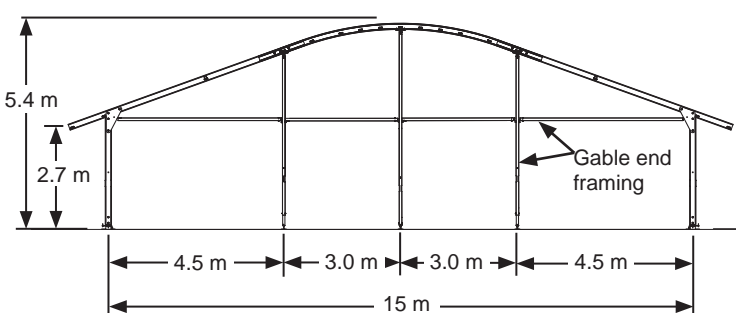


12 METER w/Overhang

15 METER

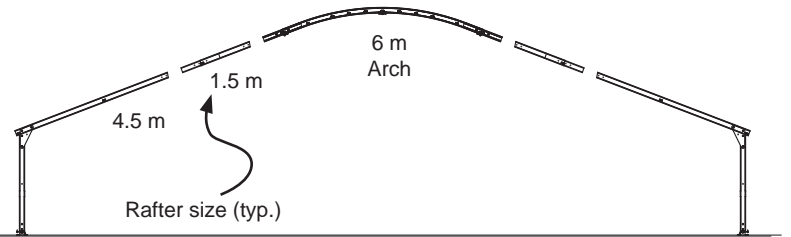
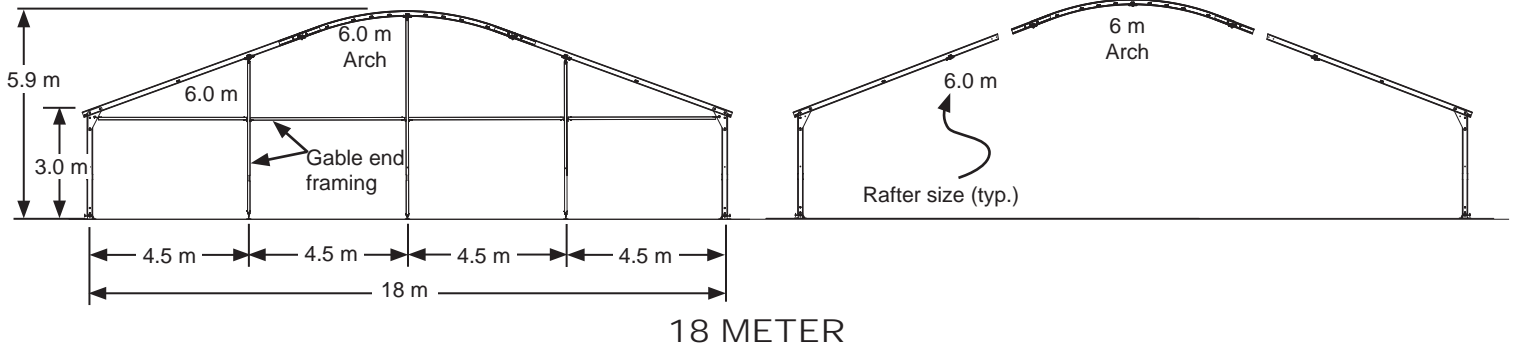


15 METER

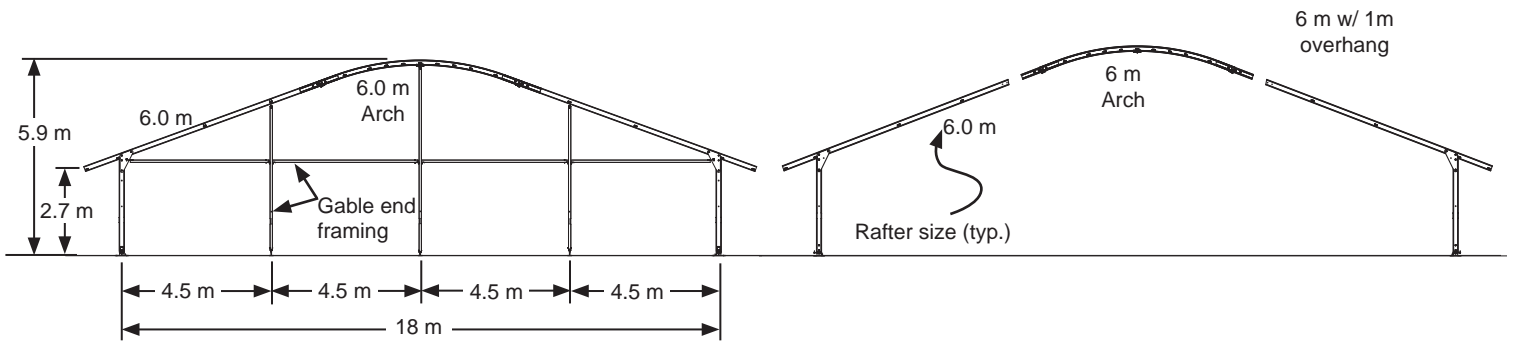


15 METER w/ Overhang

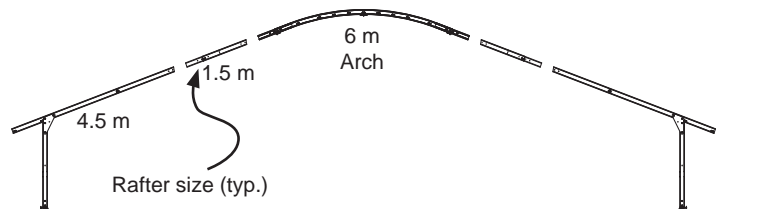
18 METER



18-9 METER



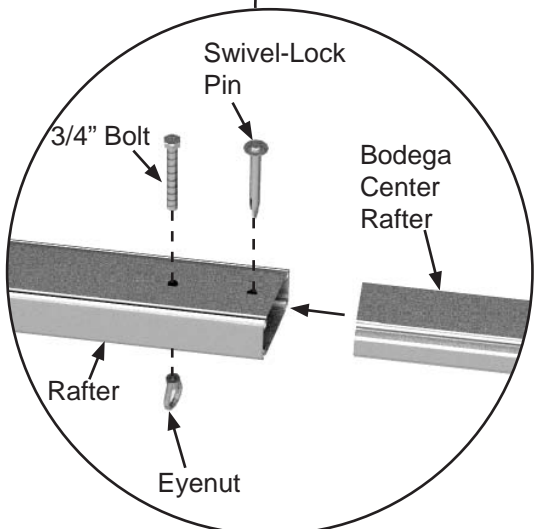
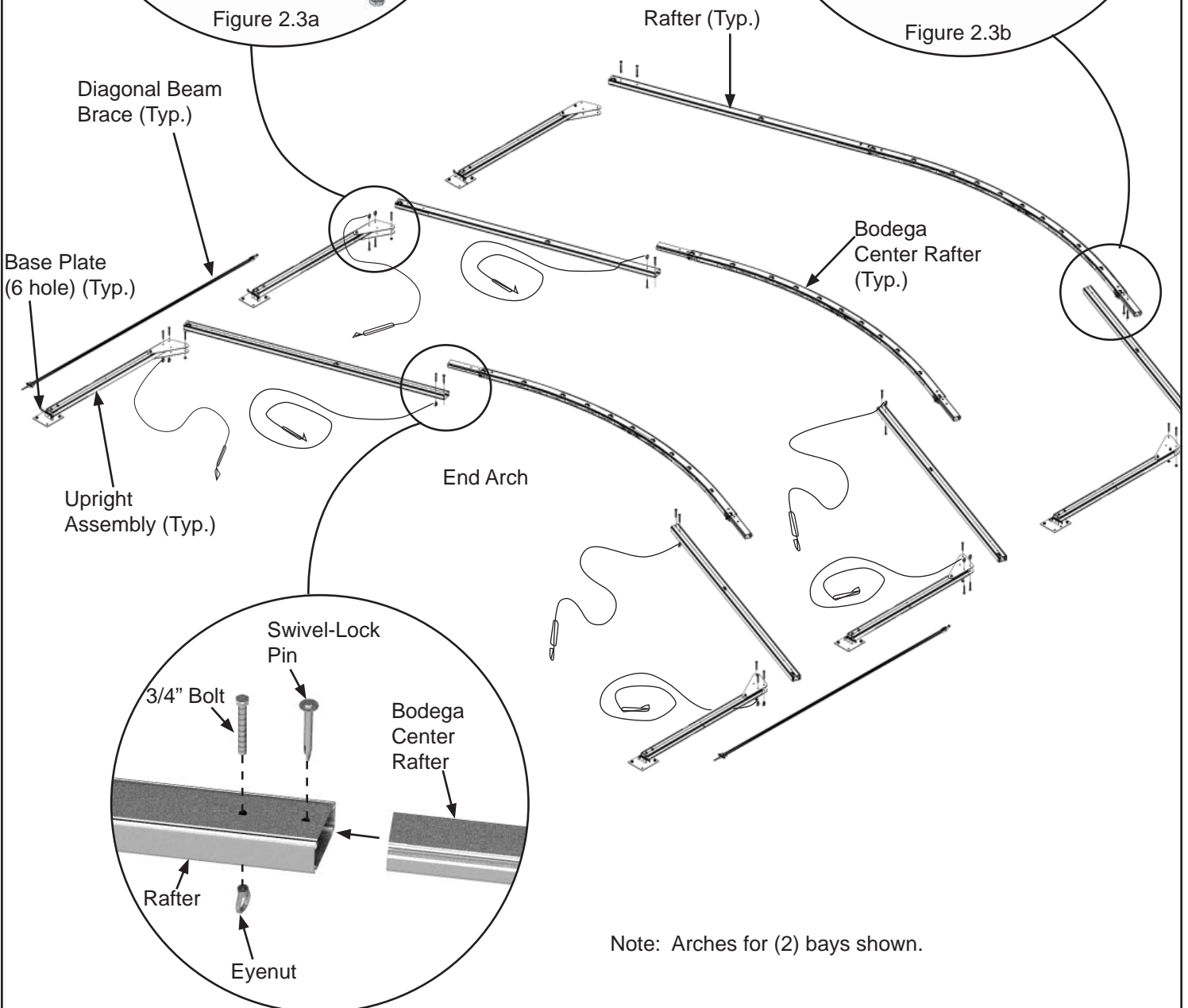
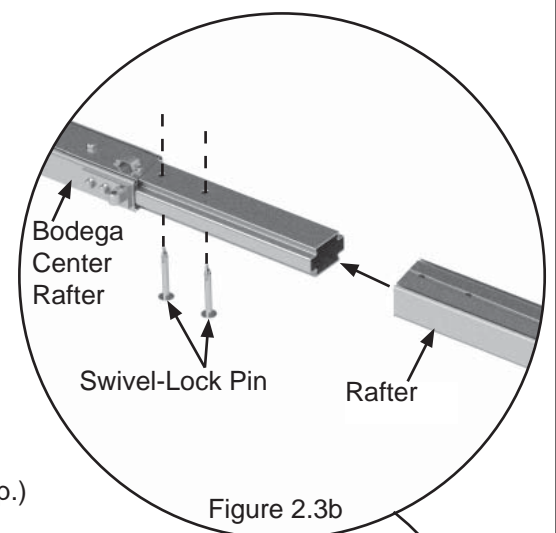
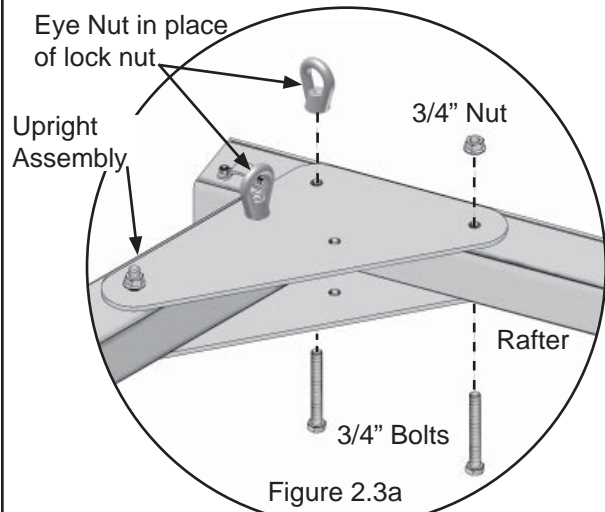
18 METER w/ Overhang



18-9 METER w/ Overhang

Assembling Arches & Cable Bracing

Follow the instructions in the standard Venue manual except as noted in this illustration.

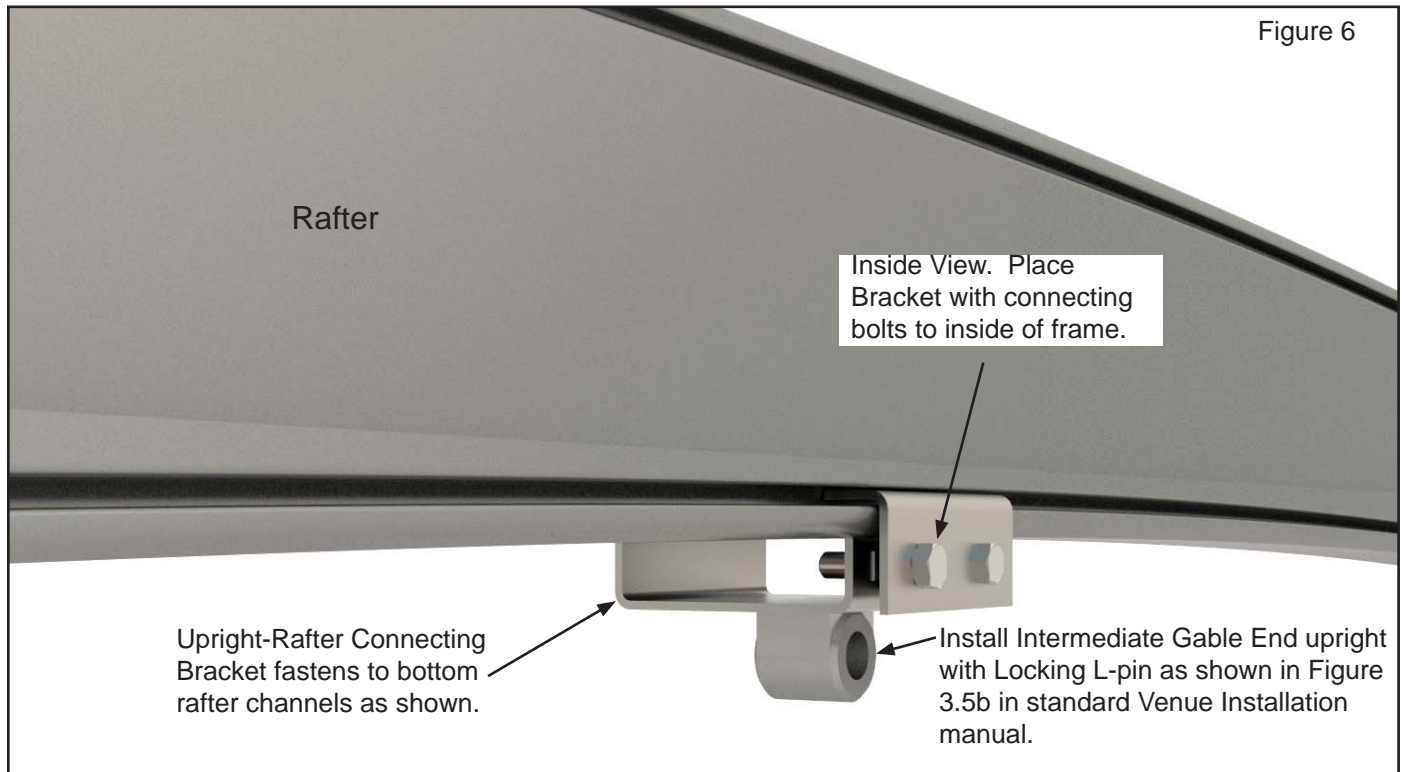


Note: Arches for (2) bays shown.

Figure 5

Install Gable End Framing

Follow the instructions in the standard Venue installation manual except for 12M Structure. The 12M will require an upright-rafter connecting bracket assembly attached to the Bodega Center Rafter.

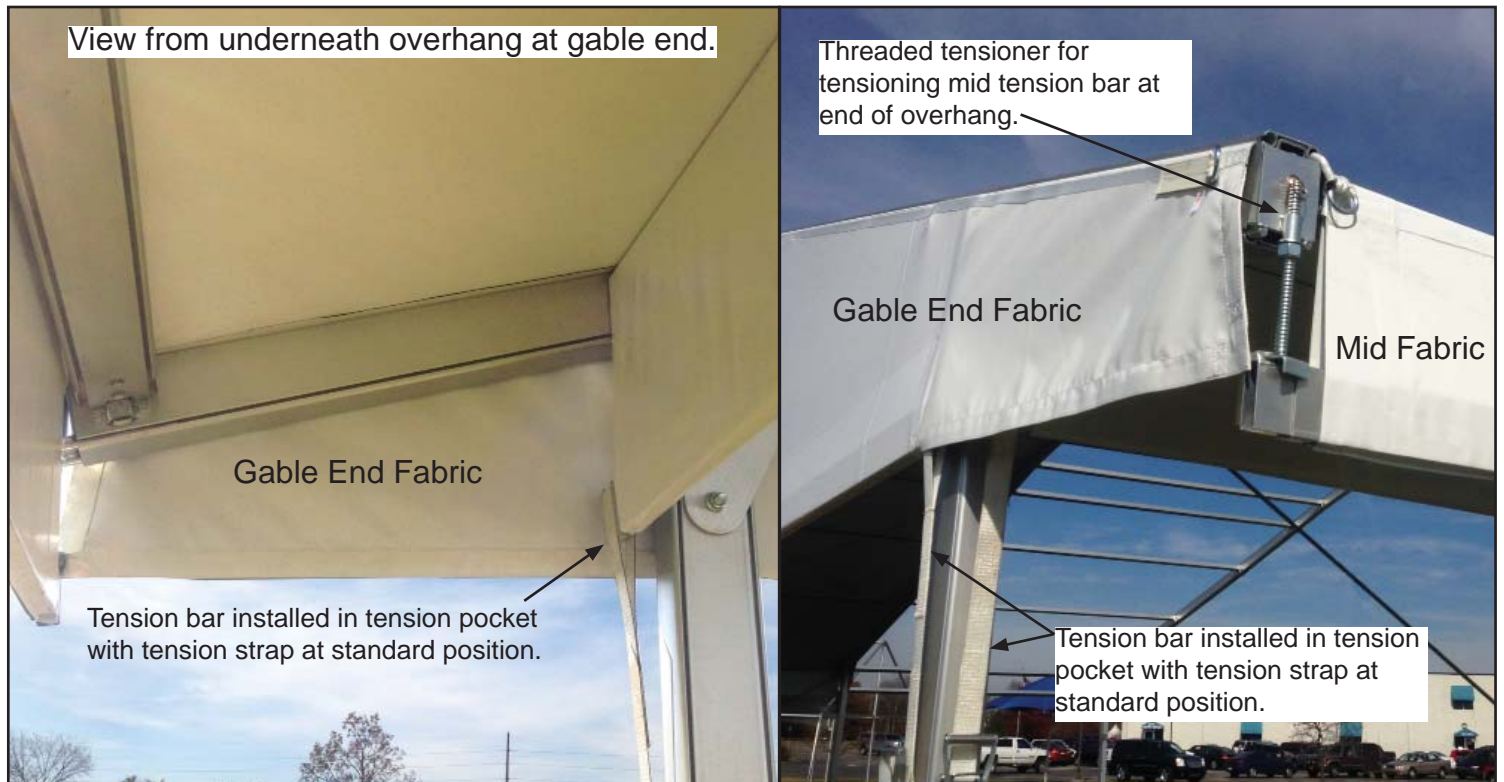


Install Fabric Panels

Follow the instructions in the standard Venue installation manual except as follows.

Mids will be tensioned as shown.

Gable End has no lace. Pull in and over from one end and tension as shown.



Venue Bodega with Overhang

