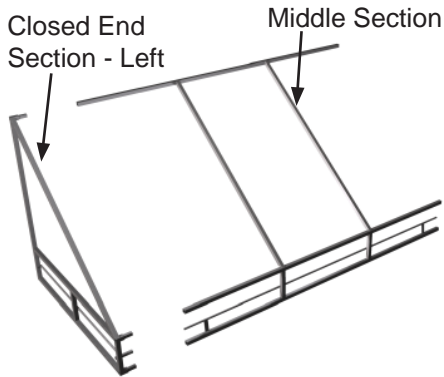
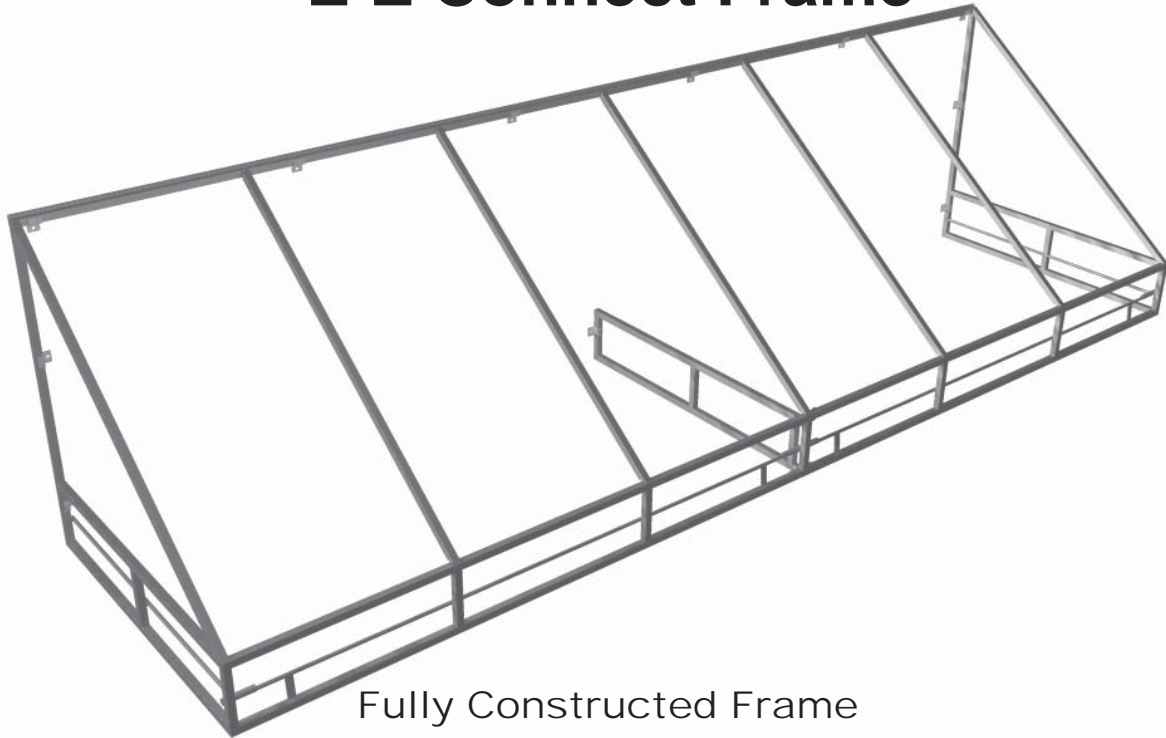
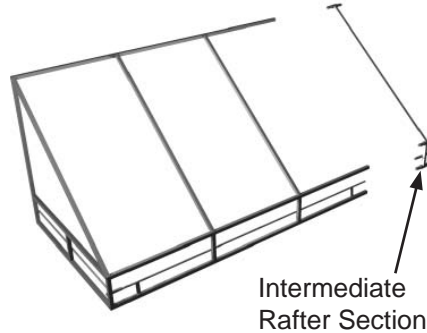


# Installation Instructions

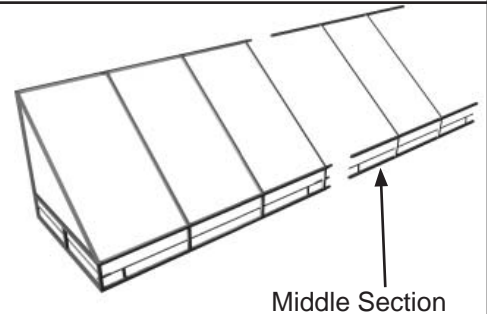
## E-Z Connect Frame



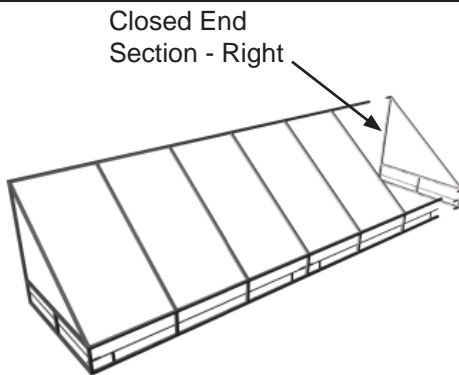
**Step 1**  
Fit Closed End Section to Middle Section. (Details 1 & 3)



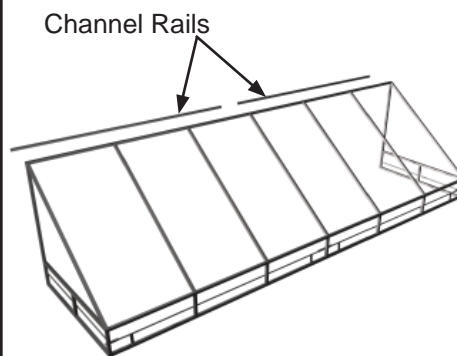
**Step 2**  
Fit Middle Section to Intermediate Rafter Section. (Detail 4 & 5)



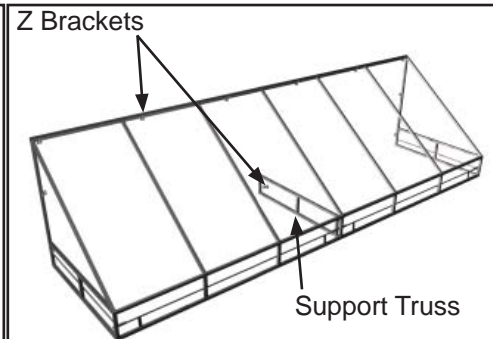
**Step 3**  
Fit Intermediate Rafter Section to next middle section. (Detail 4 & 5)



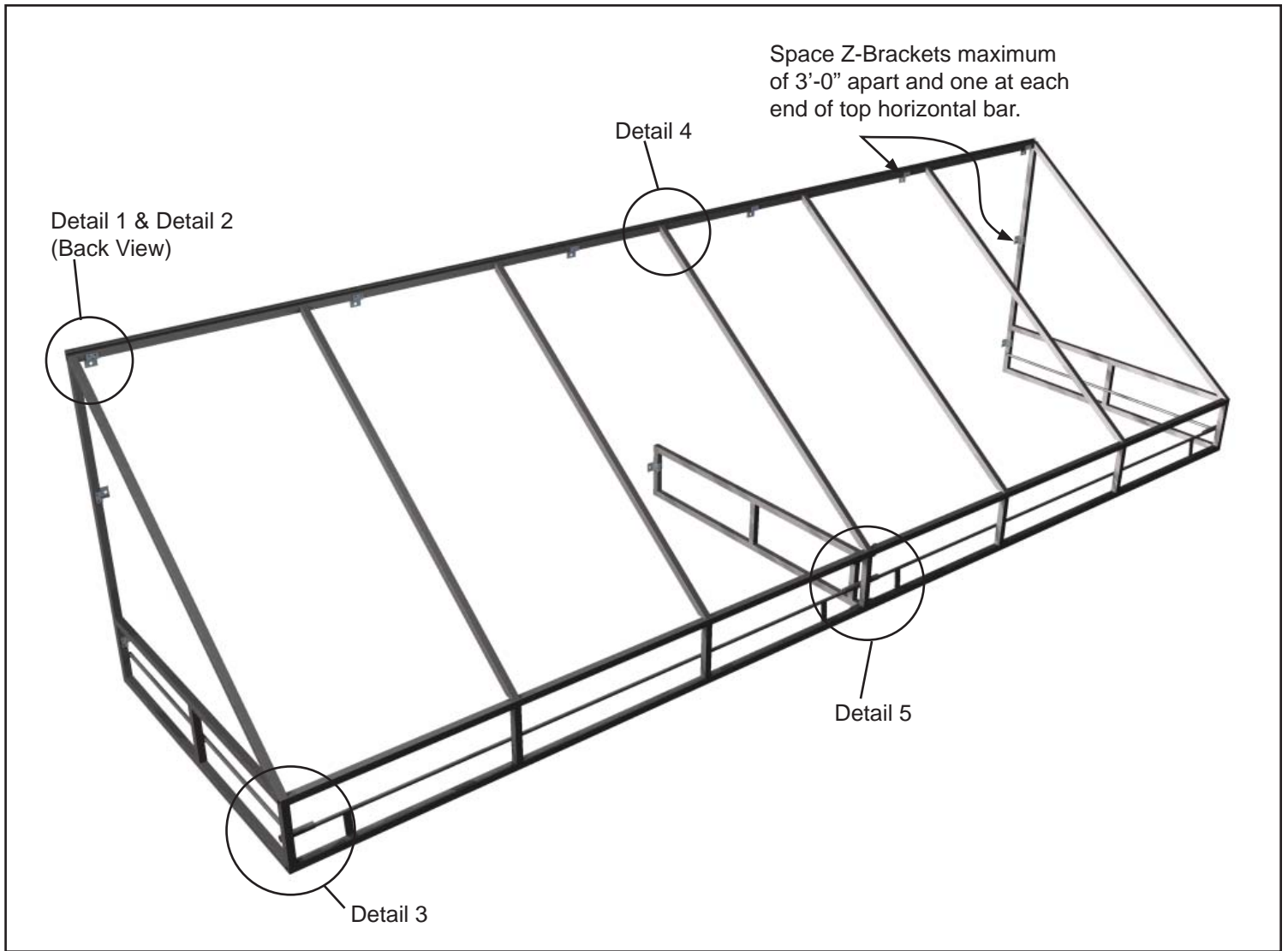
**Step 4**  
Fit Closed End Section - Right to last middle section. (Details 1, 2, & 3)



**Step 5**  
Attach Channel Rail to back bar. (Detail 2)

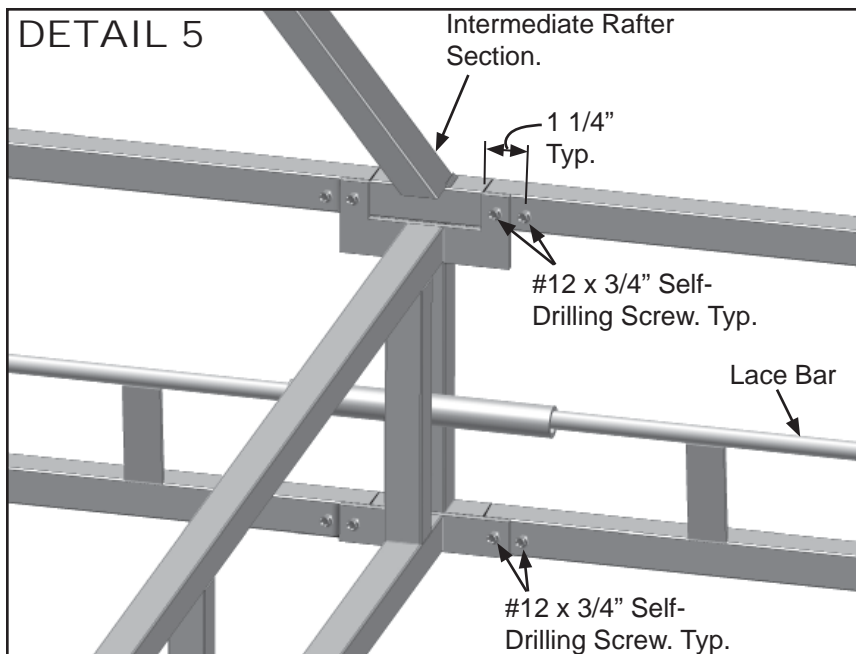
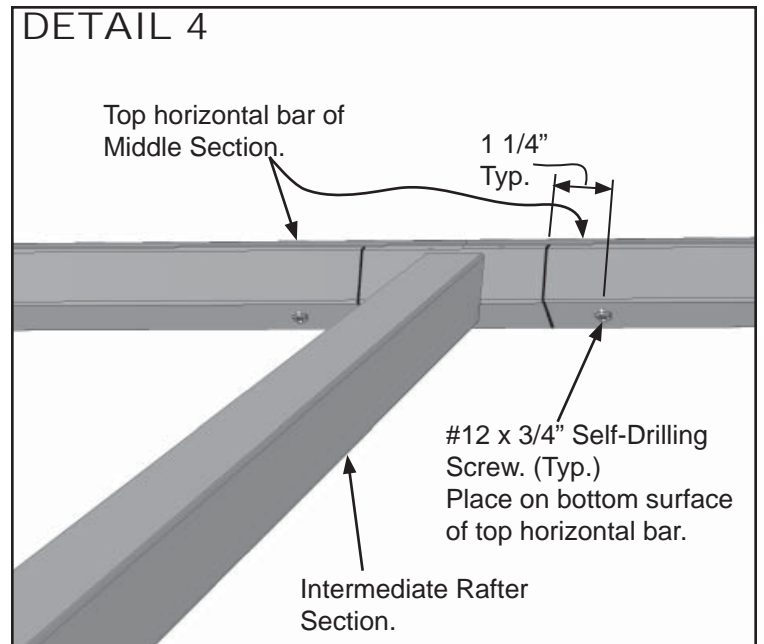
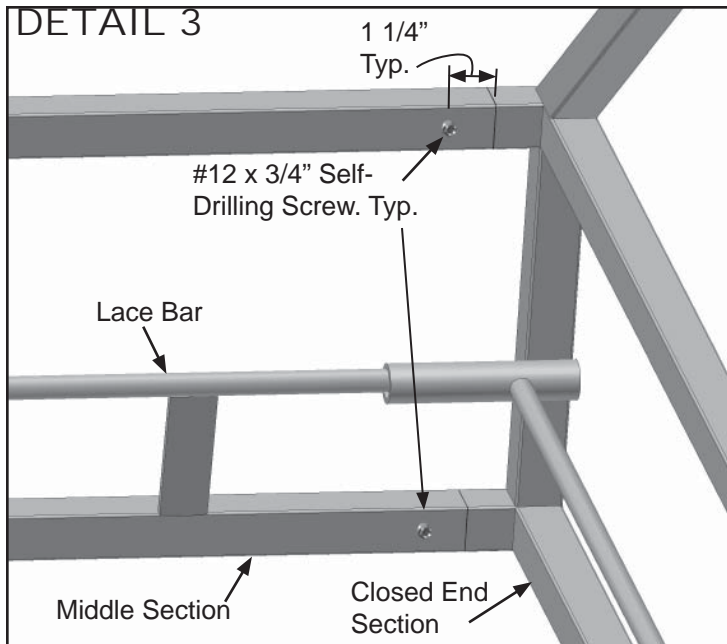
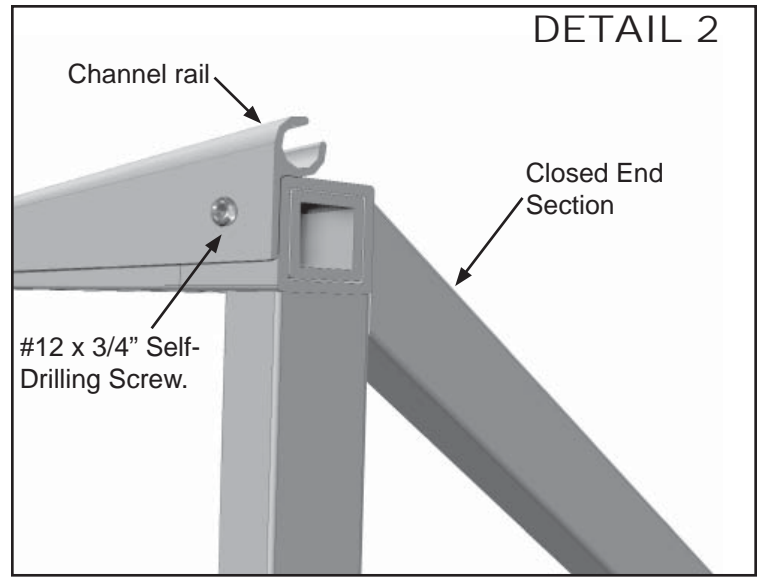
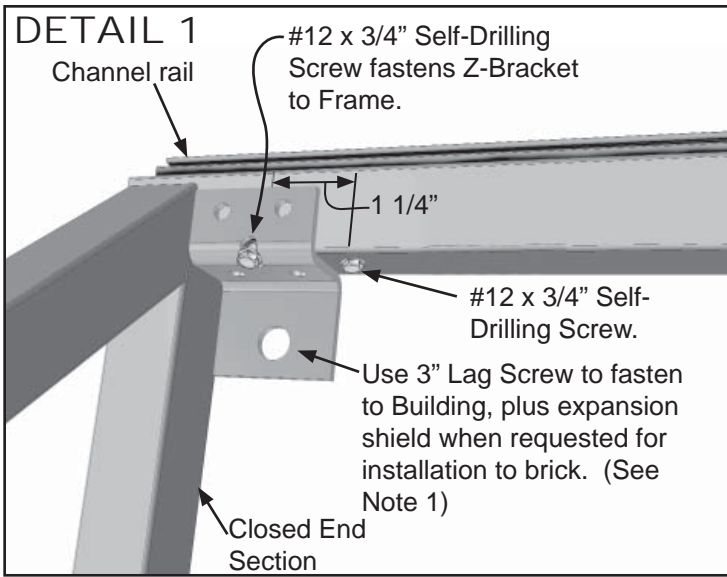


**Step 6**  
Attach Support Truss. Mount Frame to Wall with Z Brackets. Install Fabric Prior to Mounting to Building.



Follow steps as directed on page 1. See page 3 for installation details.

To install fabric, slide top into channel rail. Pull fabric tight and lace into position.



**Note 1:**  
**Attachment to Building is the responsibility of the installer. The hardware that is provided may not be adequate for all applications. Installers should insure that awning is safely and securely installed.**



Thank you for purchasing an Anchor Product. In return, we pledge Quality, Service and Craftsmanship and are available for any questions you may have or assistance you may need.

PHONE NUMBER

812-867-2421

FAX NUMBER

812-867-1429

Please read installation instructions before the installation or removal of this product. Installation instructions are also available at [www.anchorinc.com](http://www.anchorinc.com)

## CAUTION

Anchor products are of superior design and operate best within the parameters of these instructions. It is imperative that the instructions be carefully read and completely followed.

For each installation, the installer is solely responsible for evaluating the site for the proper securing methods and fasteners to be used. Standard fasteners furnished may be inadequate, site unseen by Anchor, thus requiring additional or alternate method of fastening.

Inasmuch as the weather is unpredictable, good judgment and common sense must be incorporated within installation guidelines. Proper safety equipment should be used at all times to insure a safe installation and take down. We suggest a careful evaluation be made to determine safety equipment needed, such as hard hats, steel-toe shoes, safety glasses and other as required.

\*Anchor stands behind its products in accordance with its standard Terms and Conditions of sale. A copy of our Terms and Conditions of Sale can be obtained by contacting Anchor at the telephone number and/or address on this document.

**1-800-255-5552**

**7701 Highway 41 N**  
**Evansville, IN 47725**  
**Phone: 812-867-2421**  
**Fax: 812-867-1429**  
email: [custdiv@anchorinc.com](mailto:custdiv@anchorinc.com)  
[www.anchorinc.com](http://www.anchorinc.com)