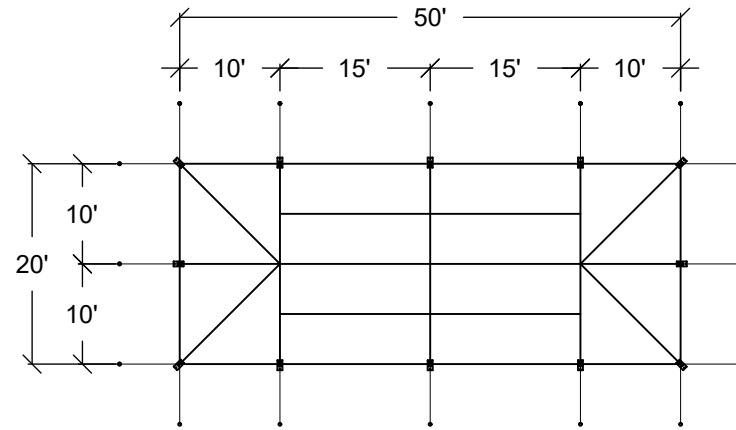


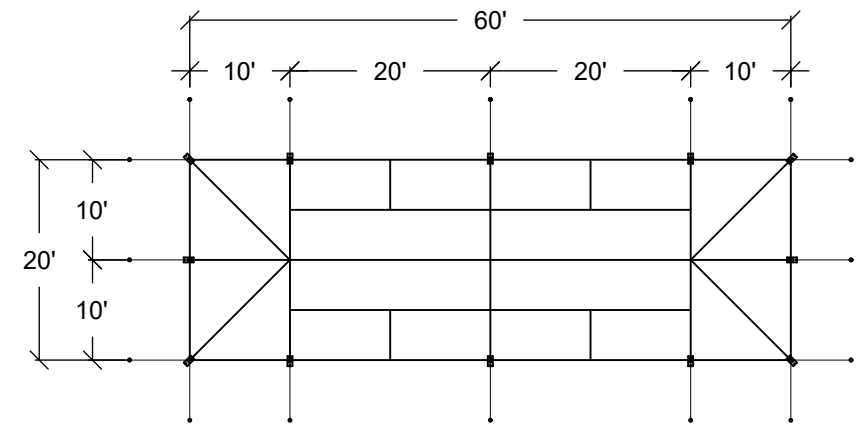
PLAN

HIP ENDS WITH 10'
MID BAYS



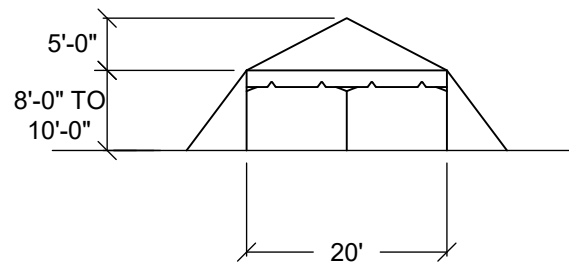
PLAN

HIP ENDS WITH 15'
MID BAYS

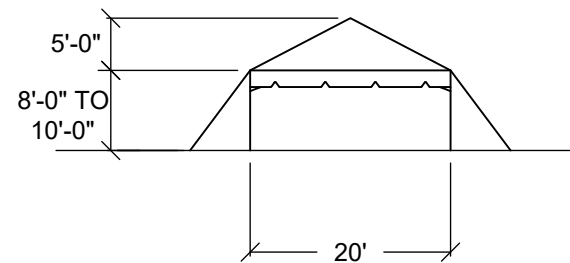


PLAN

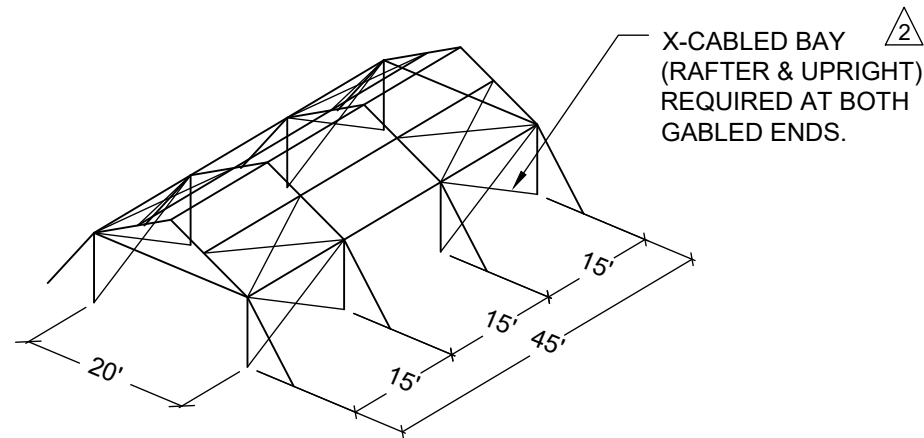
HIP ENDS WITH 20'
MID BAYS



**HIP END
ELEVATION**

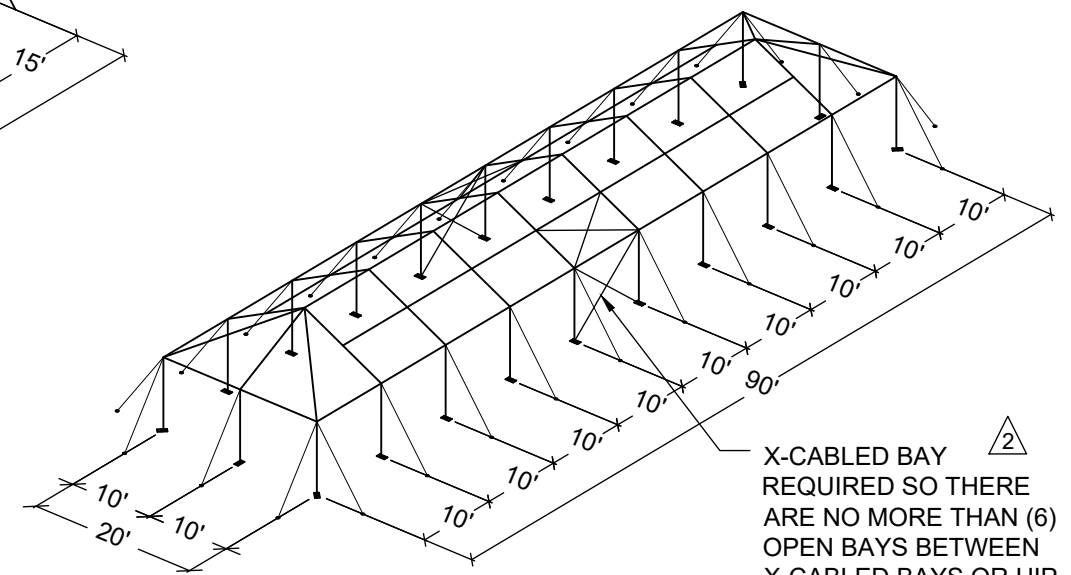


**GABLE END
ELEVATION**



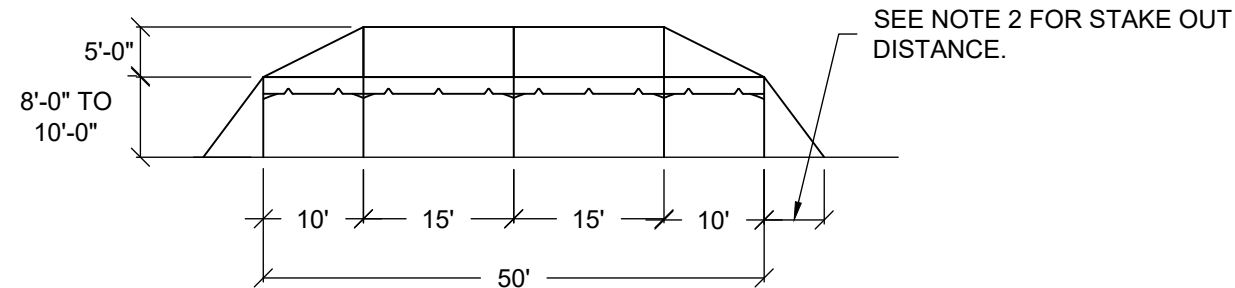
3-D VIEW

GABLE ENDS WITH (3)
15' MID BAYS



3-D VIEW

HIP ENDS WITH (7) 10'
MID BAYS



SIDE ELEVATION

(WITH 15'-0" MID BAYS SHOWN)

NOTES:

- SEE THE I.F.A.I. STAKING GUIDE ON THEIR WEBSITE (WWW.IFAI.COM) FOR SOIL IDENTIFICATION & PULL-OUT CAPACITY OF STAKES.
- STAKING :
8' EAVE - STAKE OUT 6'
9' EAVE - STAKE OUT 6'-9"
10' EAVE - STAKE OUT 7'-6" 2

Caution:

Staking or anchoring is the responsibility of the installer. Soil conditions will dictate the number of stakes or anchors required. **Do not use this drawing to determine staking requirements.** Contact Anchor for Engineering loading data that can be used in conjunction with IFAI methodologies to determine site specific anchoring requirements.

REVISIONS

EC/PR NO.	DATE	BY
1	02-29-2016	DMK
5878	4/19/2022	DMK

ANCHOR INDUSTRIES INC.

**BROCHURE DRAWING
20' WIDE NAVI-TRAC FRAME TENT**

DRAWN BY: DMK	CHECKED BY:	DRAWING NO.
APPROVED BY:	EC/PR NO.	DATE: 04-06-2015

06-253-4-0