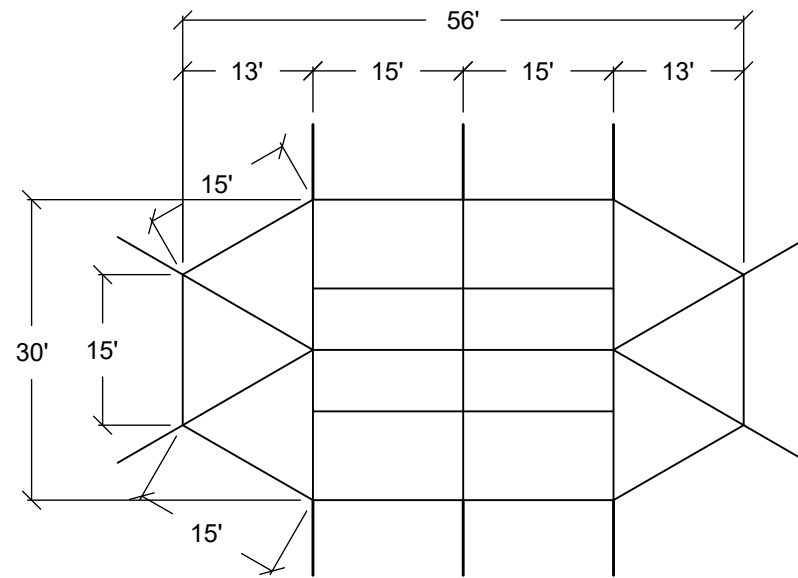
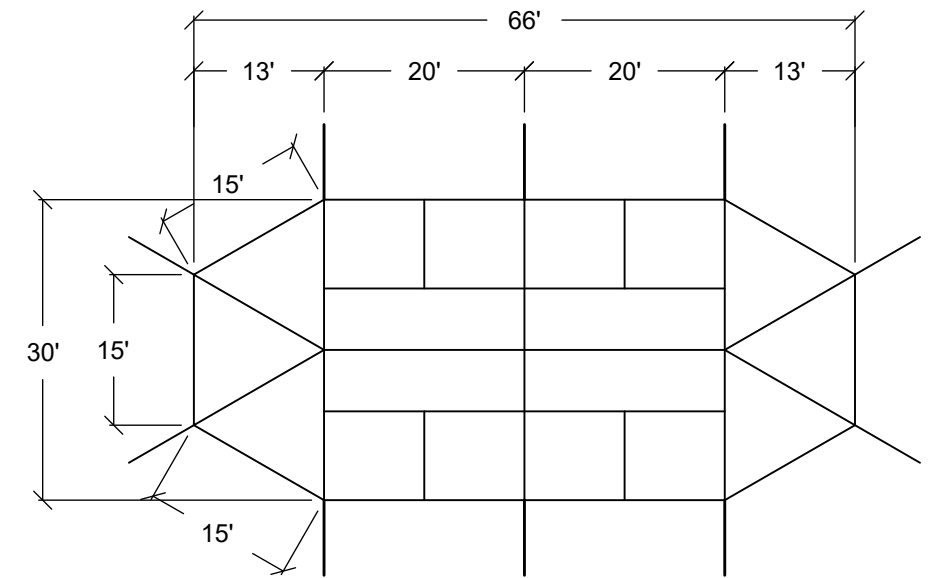


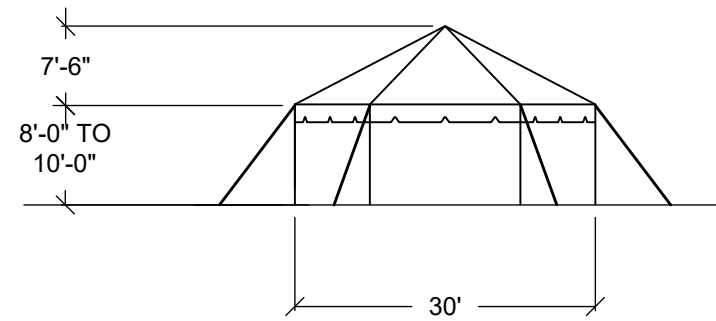
PLAN
1,185 SQ. FT.
HEX ENDS WITH 10'
MID BAYS



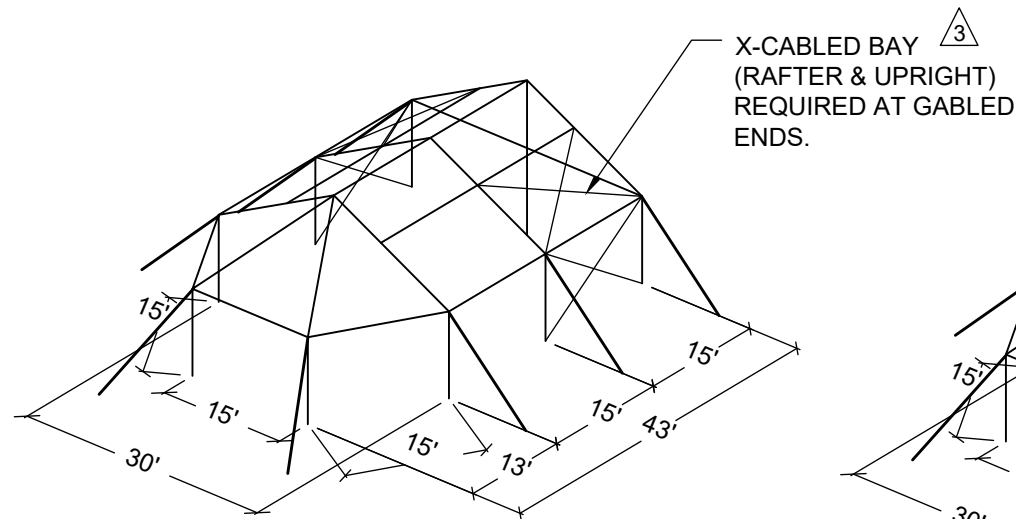
PLAN
1,485 SQ. FT.
HEX ENDS WITH 15'
MID BAYS



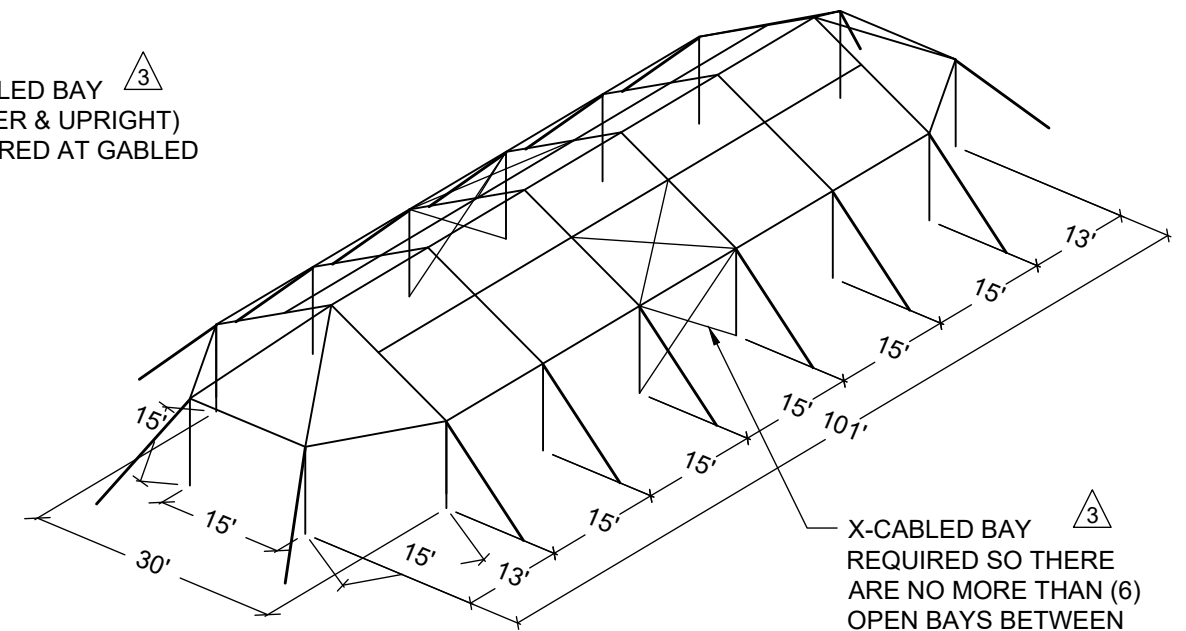
PLAN
1,785 SQ. FT.
HEX ENDS WITH 20'
MID BAYS



END ELEVATION

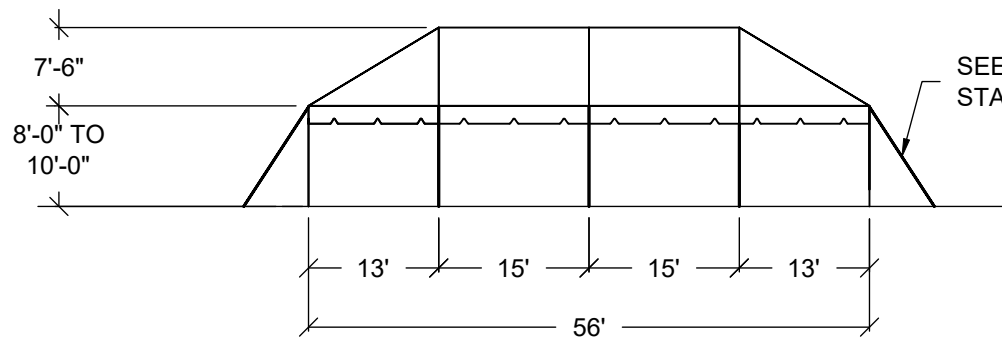


3-D VIEW
1,192 SQ. FT.
HEX AND GABLE ENDS
WITH (2) 15' MID BAYS



3-D VIEW
2,835 SQ. FT.
HEX ENDS WITH (5)
15' MID BAYS

SEE NOTE 2 FOR
STAKE OUT DISTANCE.



SIDE ELEVATION
(WITH 15'-0" MID BAYS SHOWN)

NOTES:

- SEE THE I.F.A.I. STAKING GUIDE ON THEIR WEBSITE (WWW.IFAI.COM) FOR SOIL IDENTIFICATION & PULL-OUT CAPACITY OF STAKES.
- STAKING :
8' EAVE - STAKE OUT 6'
9' EAVE - STAKE OUT 6'-9"
10' EAVE - STAKE OUT 7'-6"



Caution:

Staking or anchoring is the responsibility of the installer. Soil conditions will dictate the number of stakes or anchors required. **Do not use this drawing to determine staking requirements.** Contact Anchor for Engineering loading data that can be used in conjunction with IFAI methodologies to determine site specific anchoring requirements.

REVISIONS

EC/PR NO.	DATE	BY
1	06-16-2014	DMK
2	02-29-2016	DMK
5878	4/26/2022	DMK

ANCHOR INDUSTRIES INC.

BROCHURE DRAWING
30' WIDE NAVI-TRAC HEX FRAME TENT

DRAWN BY: DMK	CHECKED BY:	DRAWING NO. 06-253-4-1-1
APPROVED BY:	EC/PR NO.	DATE: 05-14-08