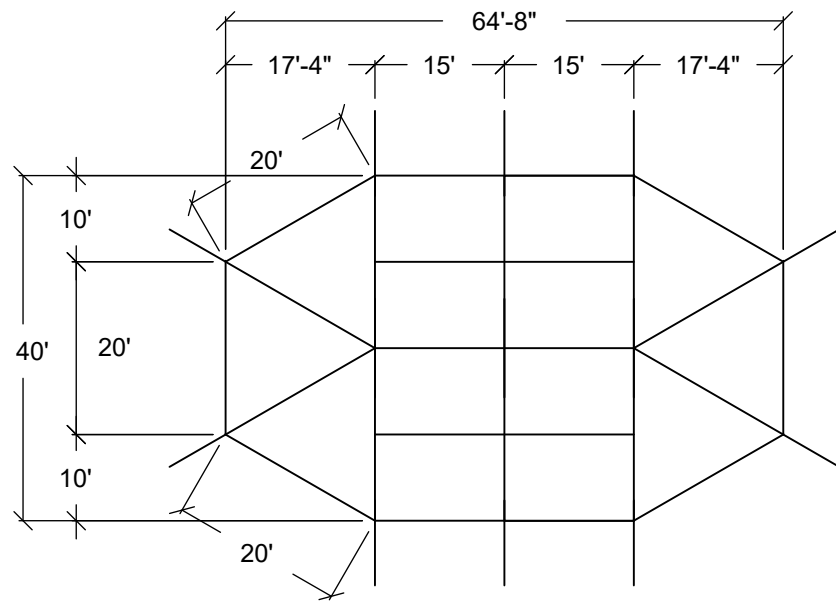


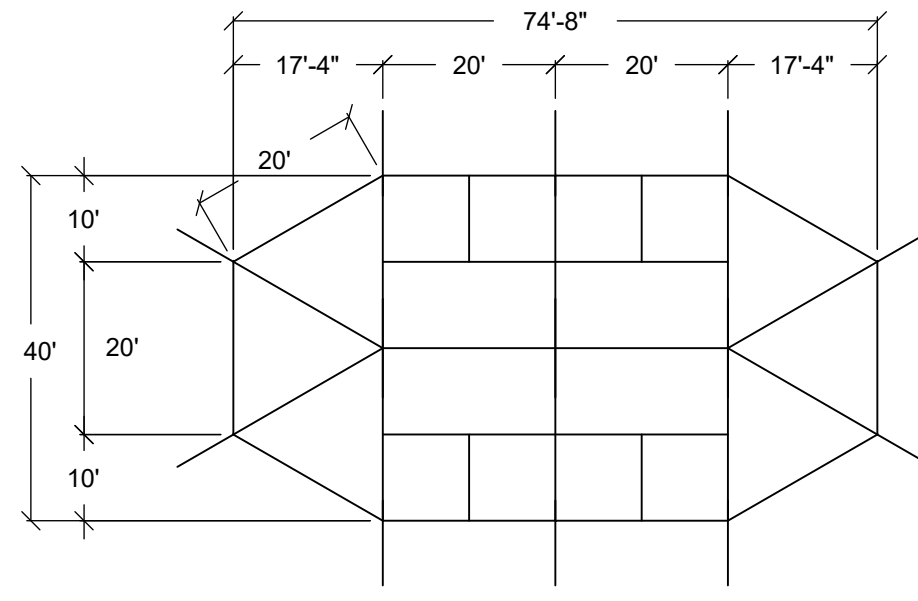
PLAN

1,839 SQ. FT.
HEX ENDS WITH 10'
MID BAYS



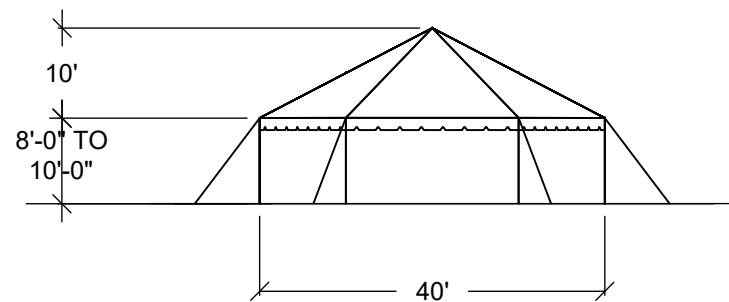
PLAN

2,239 SQ. FT.
HEX ENDS WITH 15'
MID BAYS

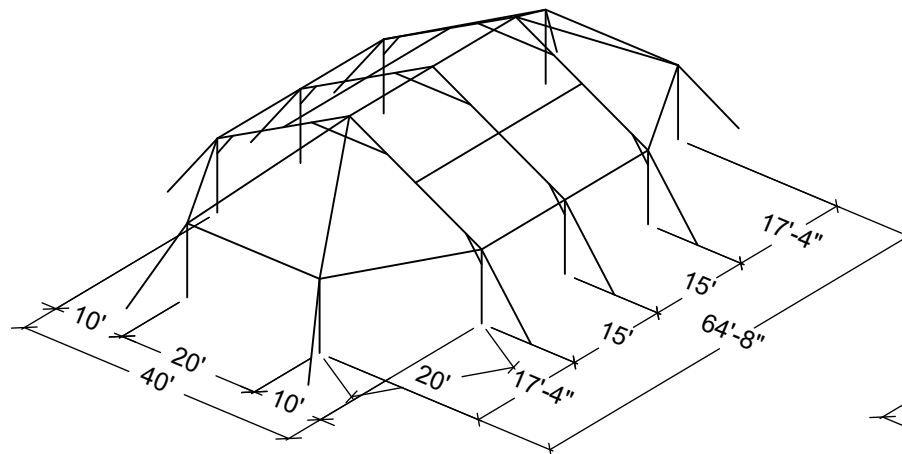


PLAN

2,639 SQ. FT.
HEX ENDS WITH 20'
MID BAYS

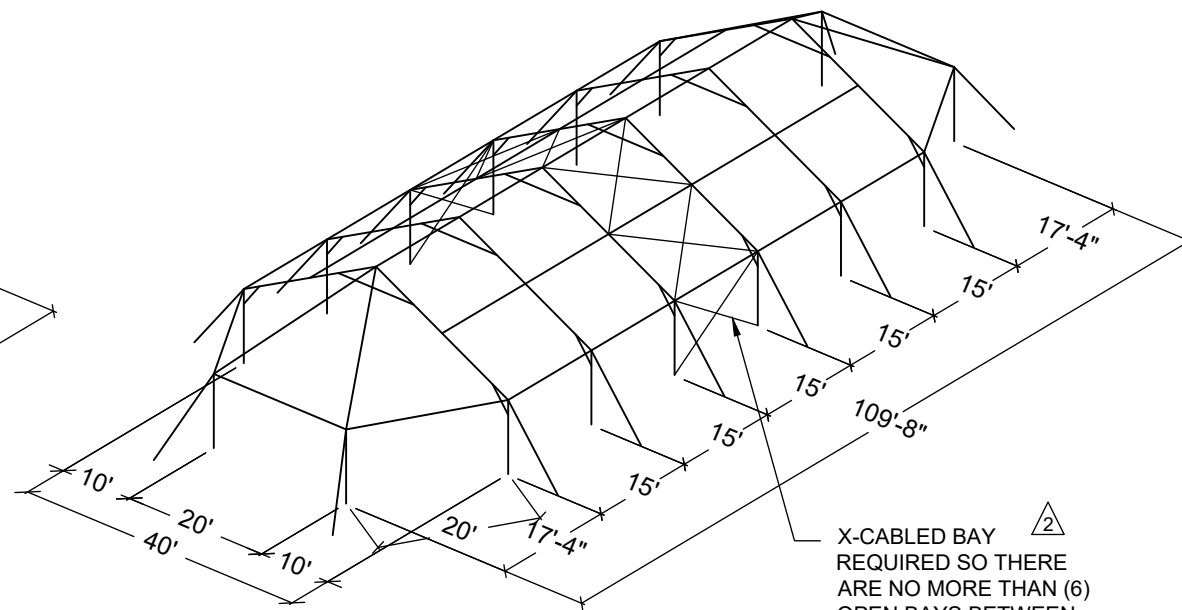


END ELEVATION



3-D VIEW

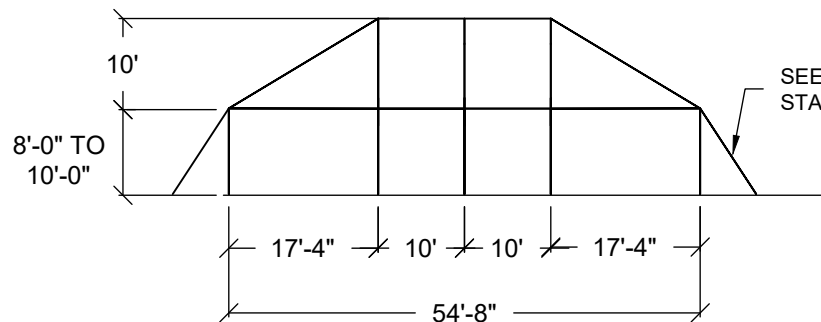
2,239 SQ. FT.
HEX ENDS WITH (2)
15' MID BAYS



3-D VIEW

4,039 SQ. FT.
HEX ENDS WITH (5)
15' MID BAYS

X-CABLED BAY
REQUIRED SO THERE
ARE NO MORE THAN (6)
OPEN BAYS BETWEEN
X-CABLED BAYS OR
HEX ENDS.



SIDE ELEVATION

(WITH 10'-0" MID BAYS SHOWN)

SEE NOTE 2 FOR
STAKE OUT DISTANCE.

NOTES:

- SEE THE I.F.A.I. STAKING GUIDE ON THEIR WEBSITE (WWW.IFAI.COM) FOR SOIL IDENTIFICATION & PULL-OUT CAPACITY OF STAKES.
- STAKING:
8' EAVE - STAKE OUT 6'
9' EAVE - STAKE OUT 6'-9"
10' EAVE - STAKE OUT 7'-6"

Caution:

Staking or anchoring is the responsibility of the installer. Soil conditions will dictate the number of stakes or anchors required. **Do not use this drawing to determine staking requirements.** Contact Anchor for Engineering loading data that can be used in conjunction with IFAI methodologies to determine site specific anchoring requirements.

REVISIONS

EC/PR NO.	DATE	BY
1	02-29-2016	DMK
5878	4/28/2022	DMK

ANCHOR INDUSTRIES INC.

**BROCHURE DRAWING
40' WIDE NAVI-TRAC HEX FRAME TENT**

DRAWN BY: DMK	CHECKED BY:	DRAWING NO.
APPROVED BY:	EC/PR NO.	DATE: 11-23-10
		06-253-4-2-1