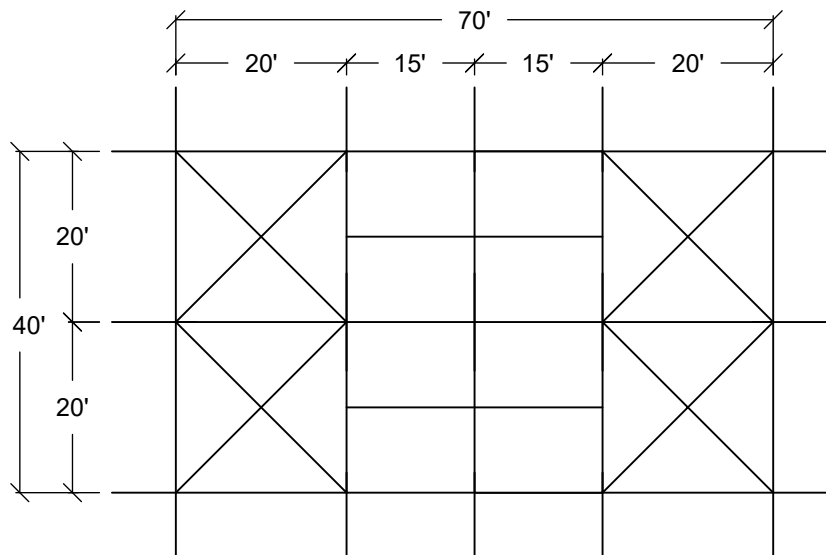
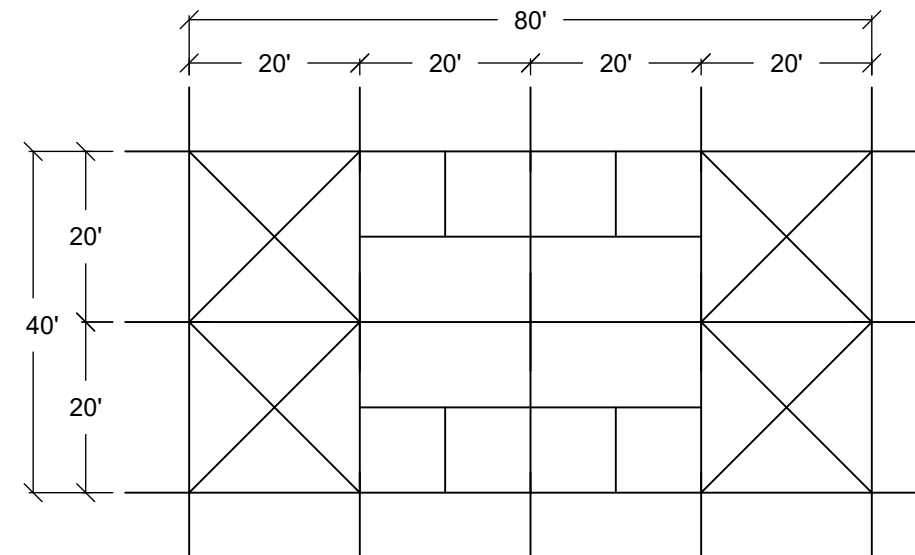


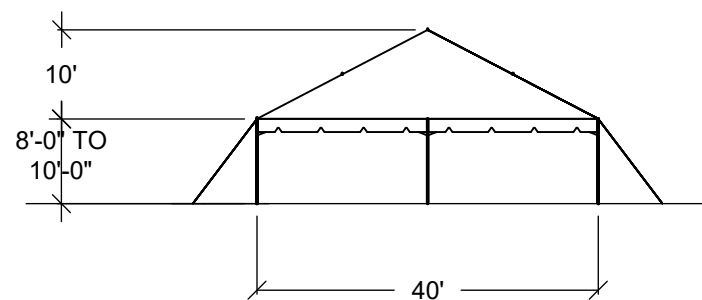
PLAN
2,400 SQ. FT.
HIP ENDS WITH 10'
MID BAYS



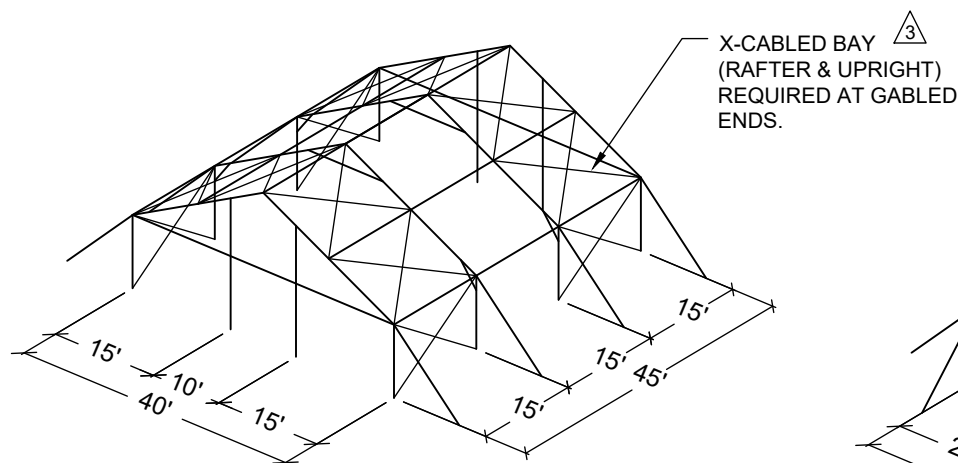
PLAN
2,800 SQ. FT.
HIP ENDS WITH 15'
MID BAYS



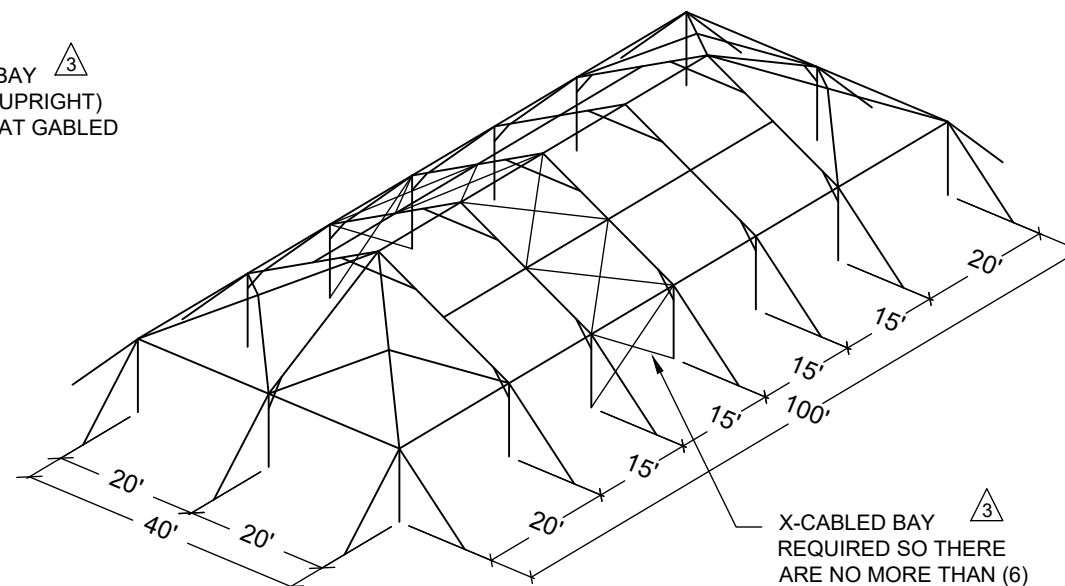
PLAN
3,200 SQ. FT.
HIP ENDS WITH 20'
MID BAYS



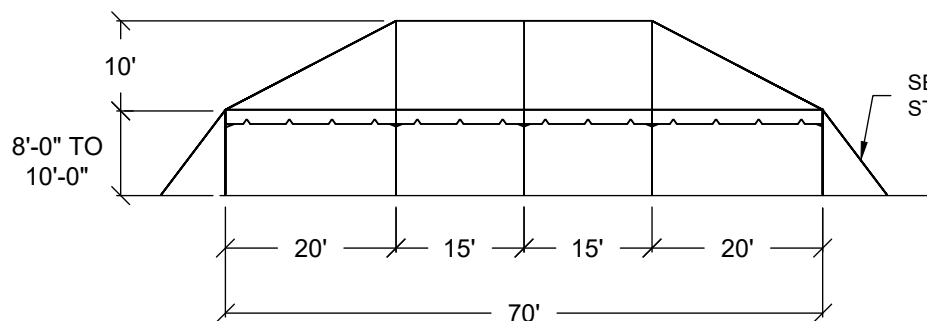
END ELEVATION



3-D VIEW
1,800 SQ. FT.
GABLE ENDS WITH (3)
15' MID BAYS



3-D VIEW
4,000 SQ. FT.
HIP ENDS WITH (4) 15'
MID BAYS



SIDE ELEVATION
(WITH 15'-0" MID BAYS SHOWN)

SEE NOTE 2 FOR
STAKE OUT DISTANCE.

NOTES:

- SEE THE I.F.A.I. STAKING GUIDE ON THEIR WEBSITE (WWW.IFAI.COM) FOR SOIL IDENTIFICATION & PULL-OUT CAPACITY OF STAKES.
- STAKING :
8' EAVE - STAKE OUT 6'
9' EAVE - STAKE OUT 6'-9"
10' EAVE - STAKE OUT 7'-6"

Caution:

Staking or anchoring is the responsibility of the installer. Soil conditions will dictate the number of stakes or anchors required. **Do not use this drawing to determine staking requirements.** Contact Anchor for Engineering loading data that can be used in conjunction with IFAI methodologies to determine site specific anchoring requirements.

REVISIONS

| EC/PR NO. | DATE | BY |
|-----------|------------|-----|
| 1 | 02-06-2007 | DMK |
| 2 | 02-29-2016 | DMK |
| 3 | 4/27/2022 | DMK |

ANCHOR INDUSTRIES INC.

**BROCHURE DRAWING
40' WIDE NAVI-TRAC FRAME TENT**

| | | |
|------------------|-------------|-------------------|
| DRAWN BY: DMK | CHECKED BY: | DRAWING NO. |
| APPROVED BY: | EC/PR NO. | DATE: 08-22-06 |
| | | 06-253-4-2 |