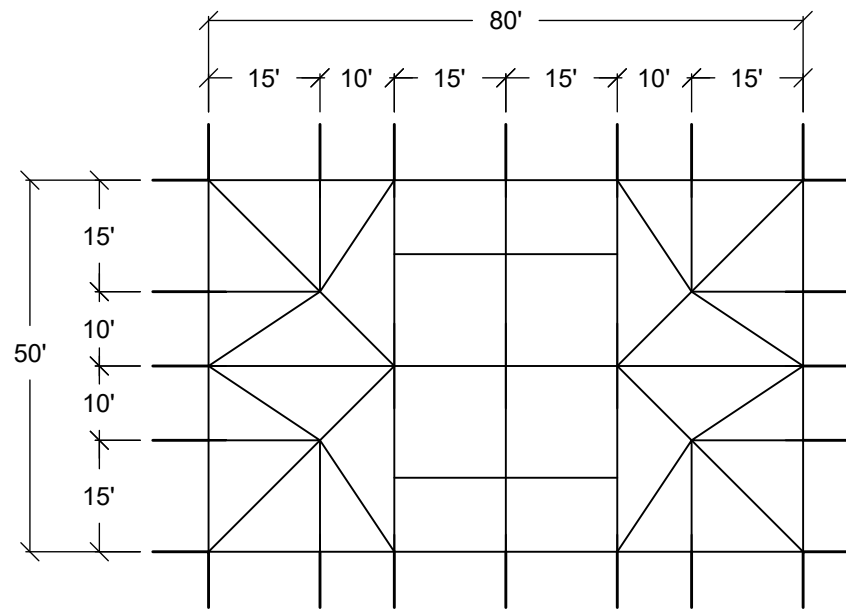
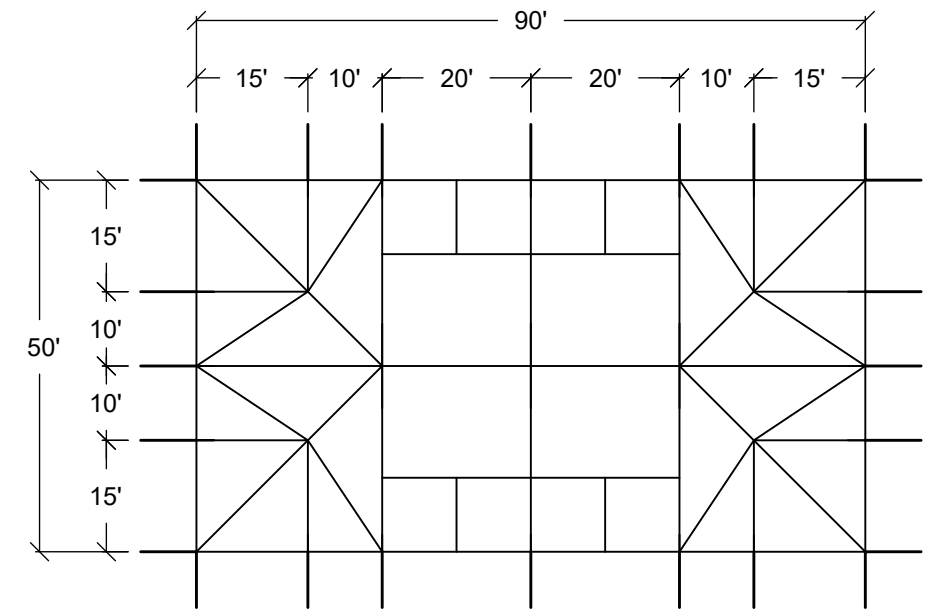


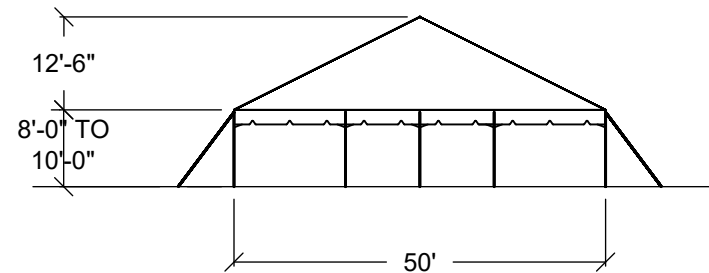
**PLAN**  
3,500 SQ. FT.  
HIP ENDS WITH 10'  
MID BAYS



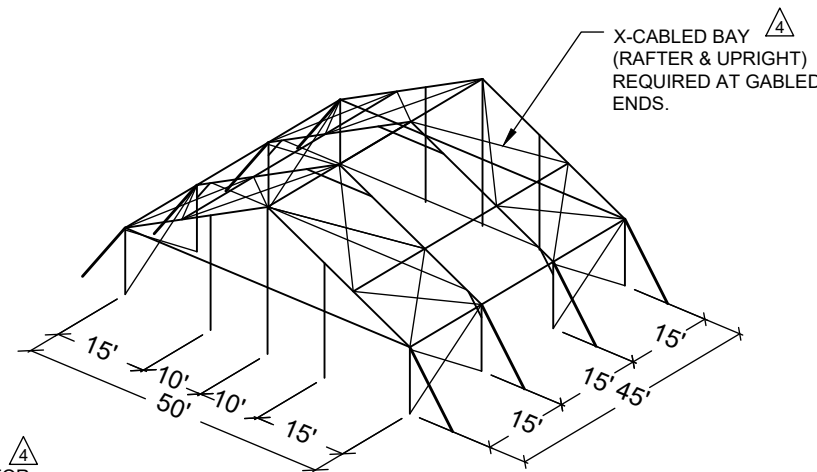
**PLAN**  
4,000 SQ. FT.  
HIP ENDS WITH 15'  
MID BAYS



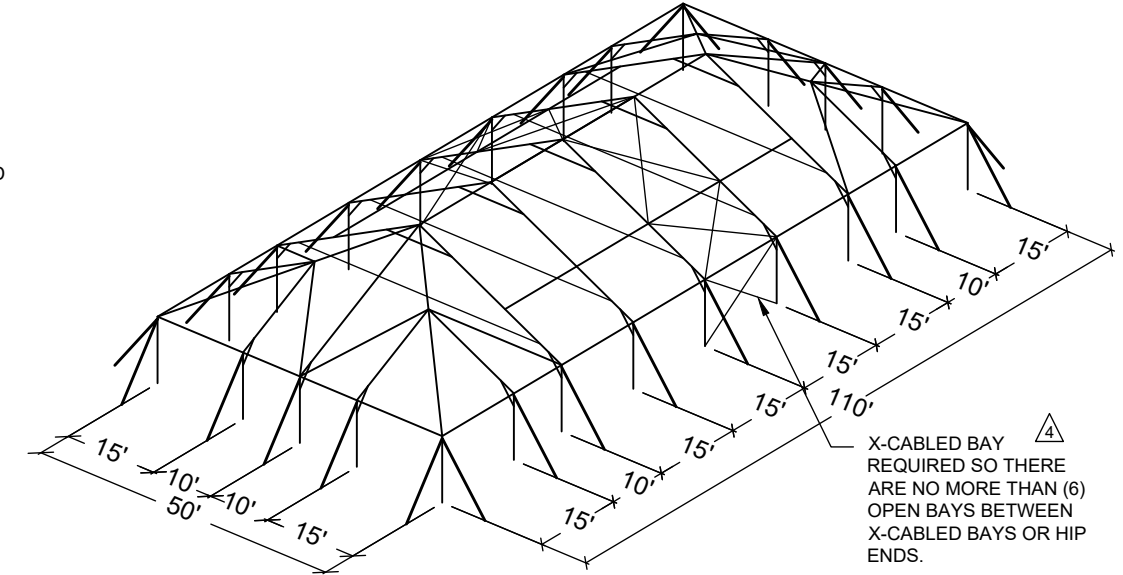
**PLAN**  
4,500 SQ. FT.  
HIP ENDS WITH 20'  
MID BAYS



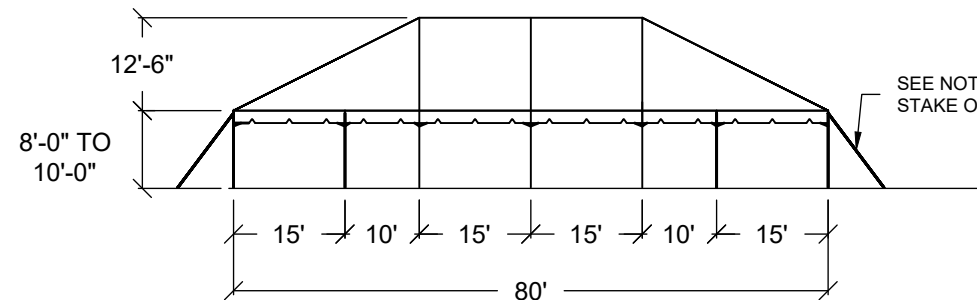
**END ELEVATION**



**3-D VIEW**  
2,250 SQ. FT.  
GABLE ENDS WITH (3)  
15' MID BAYS



**3-D VIEW**  
5,500 SQ. FT.  
HIP ENDS WITH (4) 15'  
MID BAYS



**SIDE ELEVATION**  
(WITH 15'-0" MID BAYS SHOWN)

SEE NOTE 2 FOR STAKE OUT DISTANCE.

**NOTES:**

- SEE THE I.F.A.I. STAKING GUIDE ON THEIR WEBSITE (WWW.IFAI.COM) FOR SOIL IDENTIFICATION & PULL-OUT CAPACITY OF STAKES.
- STAKING:  
8' EAVE - STAKE OUT 6'  
9' EAVE - STAKE OUT 6'-9"  
10' EAVE - STAKE OUT 7'-6"

**Caution:**

Staking or anchoring is the responsibility of the installer. Soil conditions will dictate the number of stakes or anchors required. **Do not use this drawing to determine staking requirements.** Contact Anchor for Engineering loading data that can be used in conjunction with IFAI methodologies to determine site specific anchoring requirements.

**REVISIONS**

EC/PR NO.	DATE	BY
1	02-06-2007	DMK
2	04-03-2007	DMK
3	02-29-2016	DMK
5878	4/28/2022	DMK

**ANCHOR INDUSTRIES INC.**

**BROCHURE DRAWING  
50' WIDE NAVI-TRAC FRAME TENT**

DRAWN BY: DMK	CHECKED BY:	DRAWING NO. <b>06-253-4-3</b>
APPROVED BY:	EC/PR NO.	DATE: 08-22-06