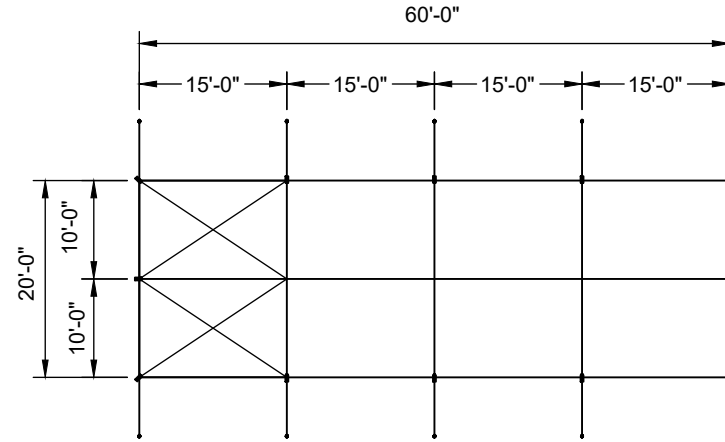
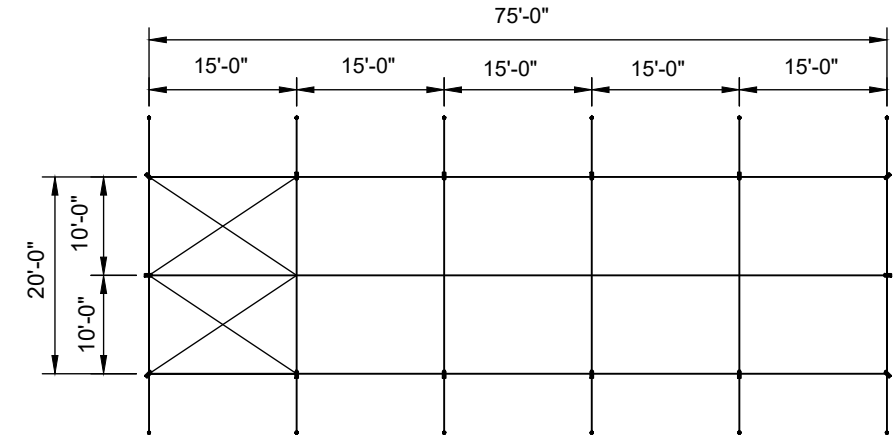


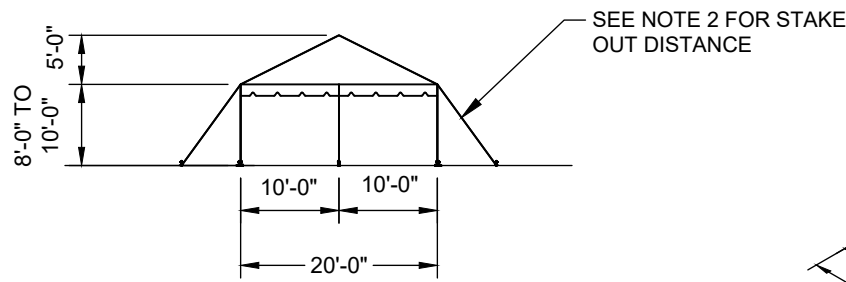
PLAN
800 SQ. FT.
GABLE ENDS WITH (4) 10' MID BAYS



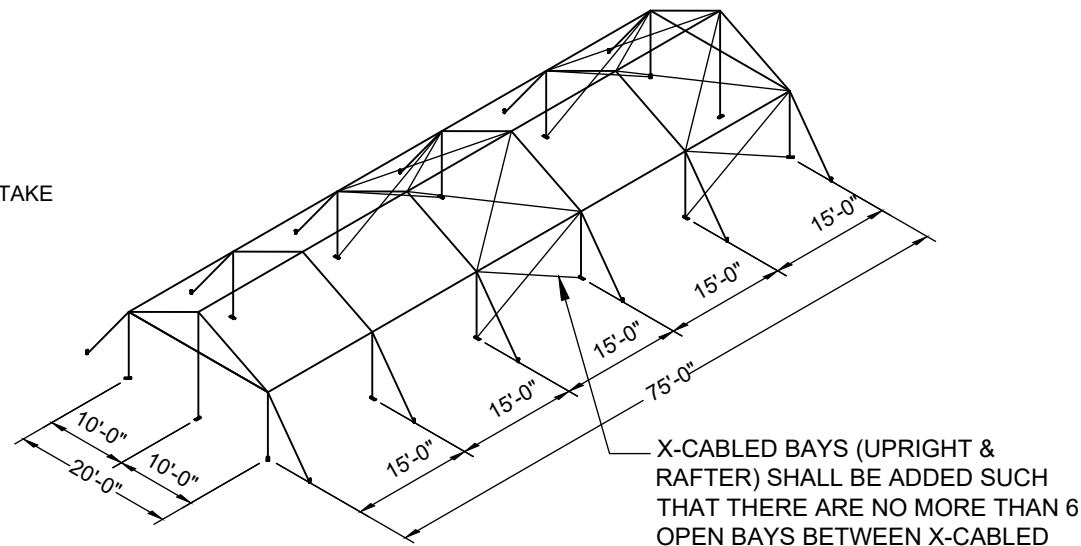
PLAN
1,200 SQ. FT.
GABLE ENDS WITH (4) 15' MID BAYS



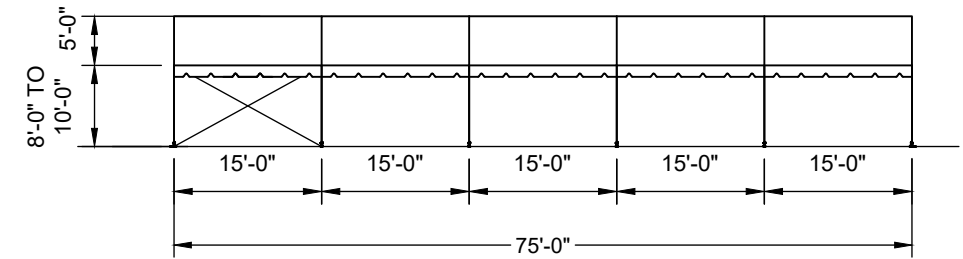
PLAN
1,500 SQ. FT.
GABLE ENDS WITH (5) 15' MID BAYS



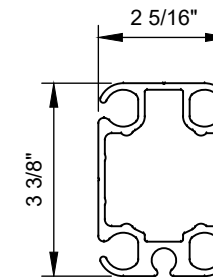
END ELEVATION



3-D VIEW
GABLE ENDS WITH (5)
15' MID BAYS



SIDE ELEVATION
(WITH 15'-0" MID BAYS SHOWN)



CROSS SECTION OF ALUMINUM BEAM

NOTES:


- SEE THE I.F.A.I. STAKING GUIDE ON THEIR WEBSITE (WWW.IFAI.COM) FOR SOIL IDENTIFICATION & PULL-OUT CAPACITY OF STAKES.
- STAKING :
8' EAVE - STAKE OUT 6'
9' EAVE - STAKE OUT 6'-9"
10' EAVE - STAKE OUT 7'-6"

Caution:

Staking or anchoring is the responsibility of the installer. Soil conditions will dictate the number of stakes or anchors required. **Do not use this drawing to determine staking requirements.** Contact Anchor for Engineering loading data that can be used in conjunction with IFAI methodologies to determine site specific anchoring requirements.

REV	EC	DATE	BY
3	5878	5/10/2022	DMK
2		3/22/2018	DMK
1		2/29/2016	DMK

REVISION HISTORY

ITEM DESCRIPTION	ITEM NO.
 BROCHURE DRAWING 20' NAVI-TRAC LT GABLE ENDS	
DRAWN BY: DMK	CHECKED BY:
APPROVED BY:	DATE: 06-18-14
DRAWING NO. 12-391-3	