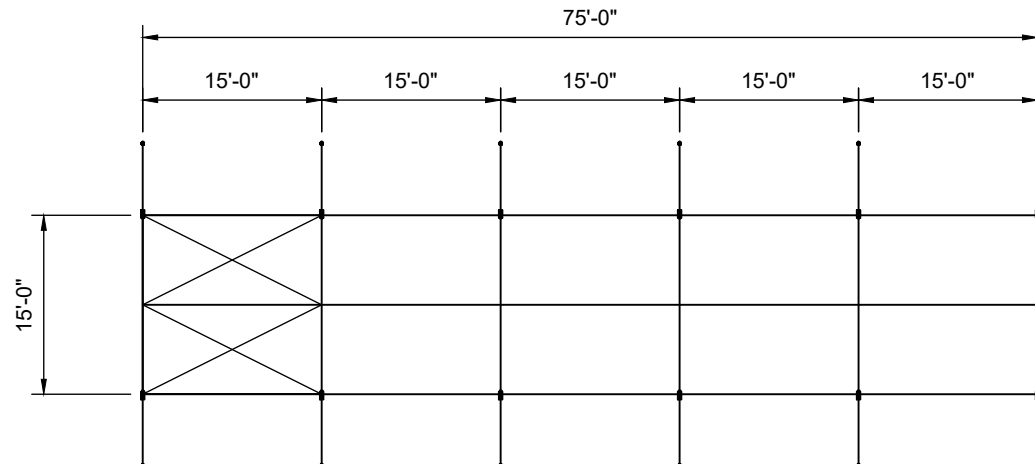


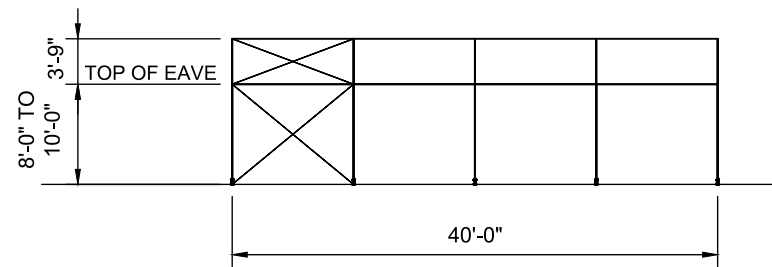
PLAN VIEW

600 SQ. FT.
GABLE ENDS WITH (4)
10'-0" BAYS

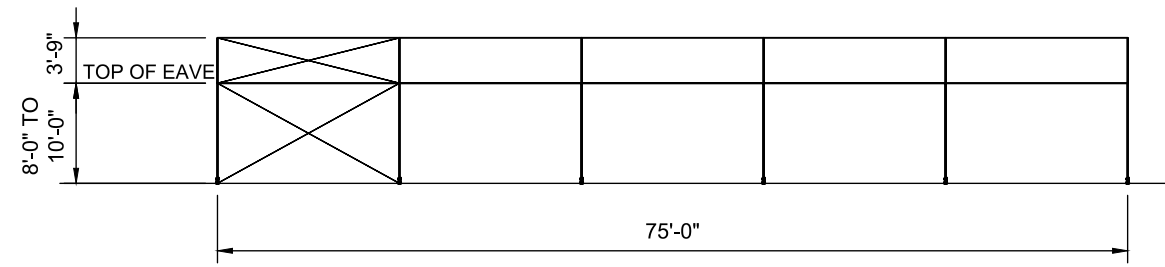


PLAN VIEW

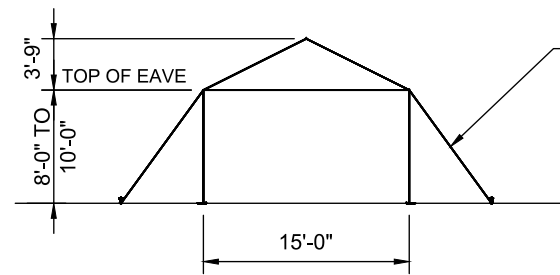
1,125 SQ. FT.
GABLE ENDS WITH (5)
15'-0" BAYS



SIDE VIEW



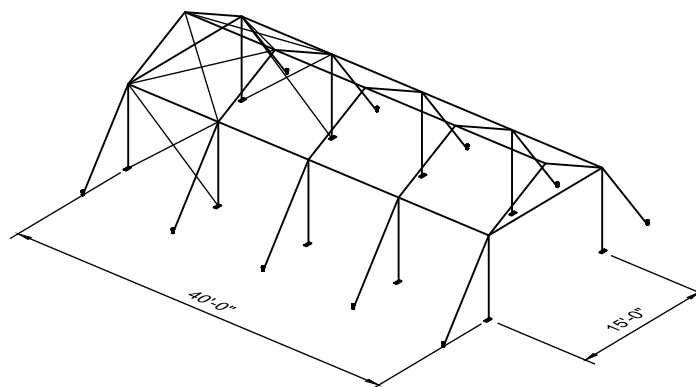
SIDE VIEW



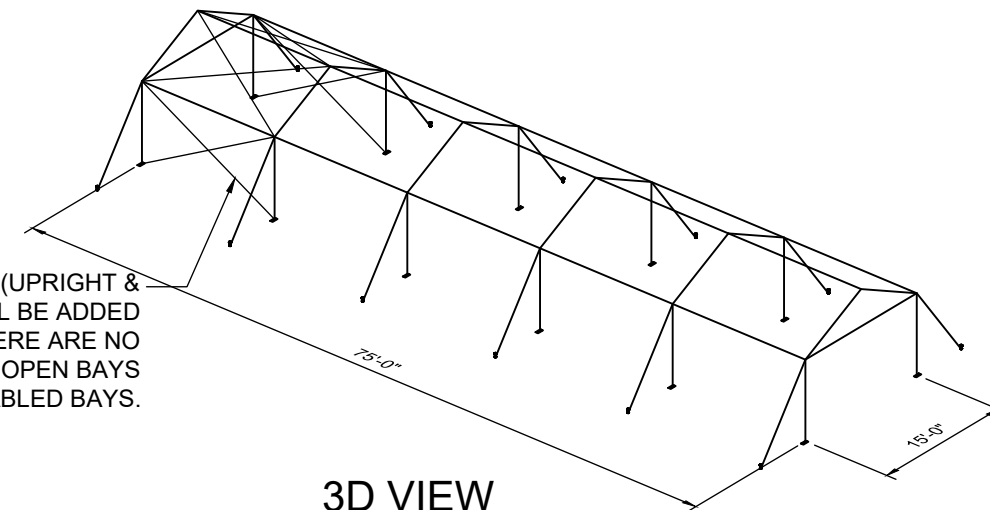
END VIEW

SEE NOTE 2 FOR STAKE
OUT DISTANCE

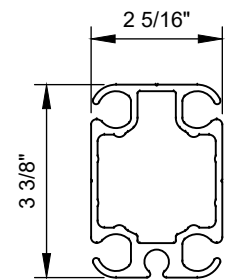
X-CABLED BAYS (UPRIGHT &
RAFTER) SHALL BE ADDED
SUCH THAT THERE ARE NO
MORE THAN 6 OPEN BAYS
BETWEEN X-CABLED BAYS.



3D VIEW



3D VIEW




**CROSS SECTION OF
ALUMINUM BEAM**

NOTES:

- SEE THE I.F.A.I. STAKING GUIDE ON THEIR WEBSITE (WWW.IFAI.COM) FOR SOIL IDENTIFICATION & PULL-OUT CAPACITY OF STAKES.
- STAKING :
8' EAVE - STAKE OUT 6'
9' EAVE - STAKE OUT 6'-9"
10' EAVE - STAKE OUT 7'-6"

Caution:

Staking or anchoring is the responsibility of the installer. Soil conditions will dictate the number of stakes or anchors required. **Do not use this drawing to determine staking requirements.** Contact Anchor for Engineering loading data that can be used in conjunction with IFAI methodologies to determine site specific anchoring requirements.

ITEM DESCRIPTION		ITEM NO.
		All data and information contained in or disclosed by this document is confidential and proprietary information of Anchor Industries, Inc. and all rights therein are expressly reserved. By accepting this material the recipient agrees that this material and the information contained therein is held in confidence and in trust and will not be used, copied, reproduced in the whole or in part, nor its contents revealed in any manner to others except to meet the specific purpose for which it was delivered.
BROCHURE DRAWING 15' NAVI-TRAC LT GABLE END FRAMES		
DRAWN BY:	DMK	CHECKED BY:
APPROVED BY:	EC#	DATE: 3/21/2018
REVISION HISTORY		DRAWING NO. 18-202-2