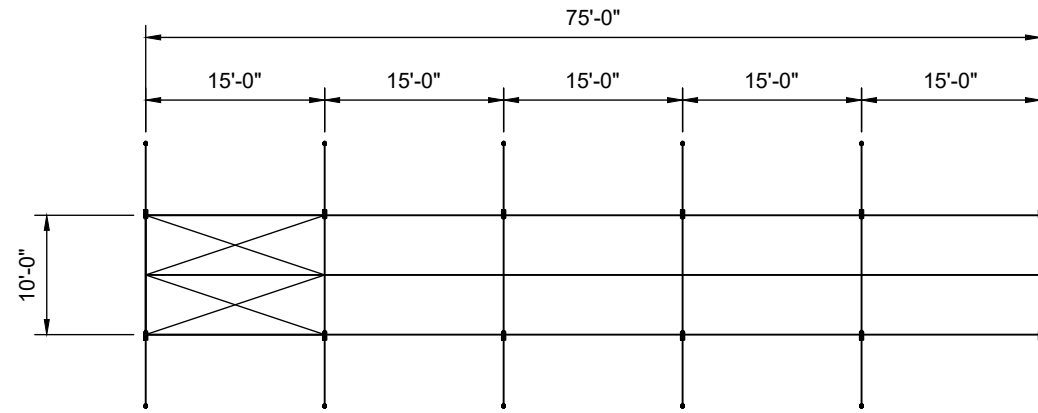


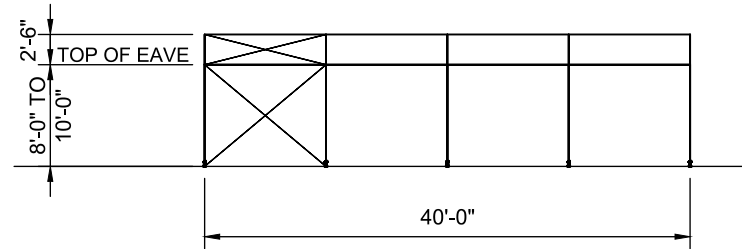
**PLAN VIEW**

400 SQ. FT.  
GABLE ENDS WITH (4)  
10'-0" BAYS

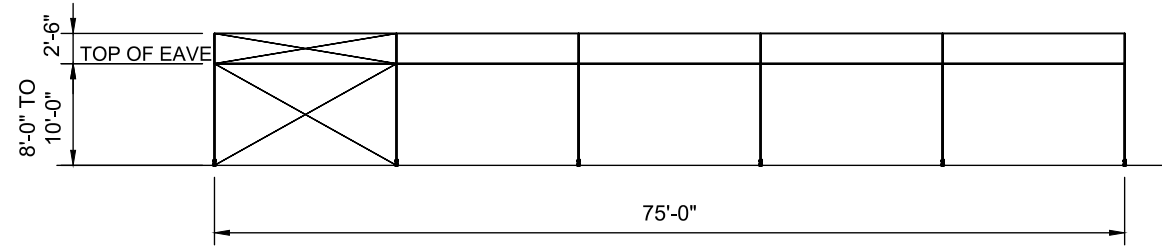


**PLAN VIEW**

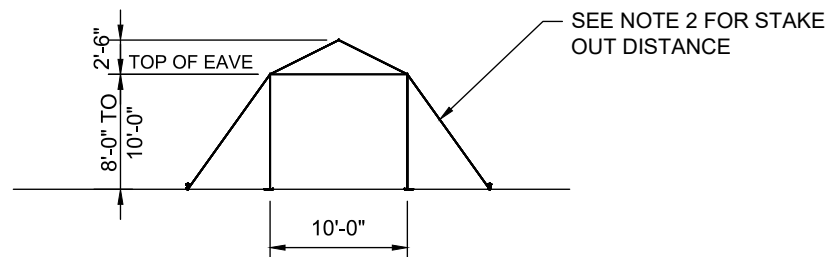
750 SQ. FT.  
GABLE ENDS WITH (5)  
15'-0" BAYS



**SIDE VIEW**

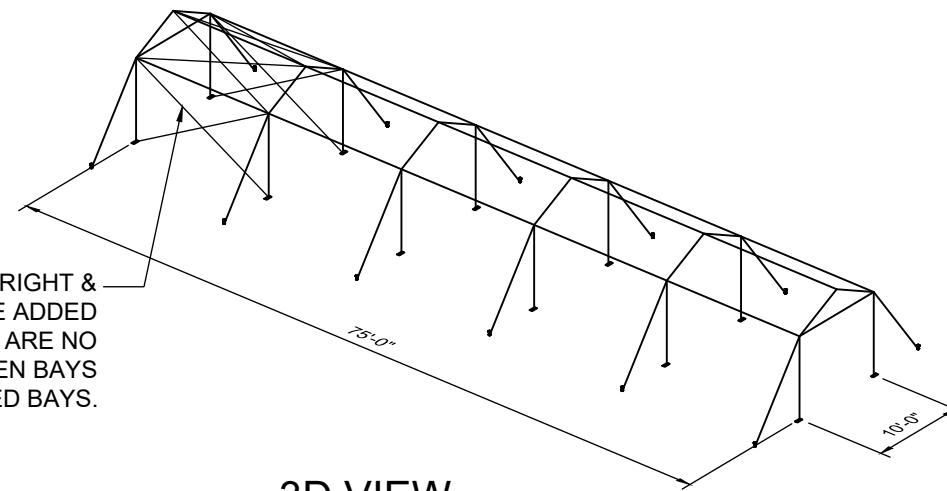


**SIDE VIEW**

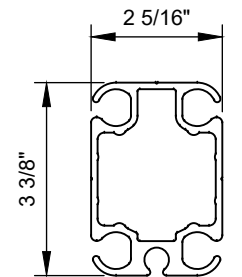


**END VIEW**

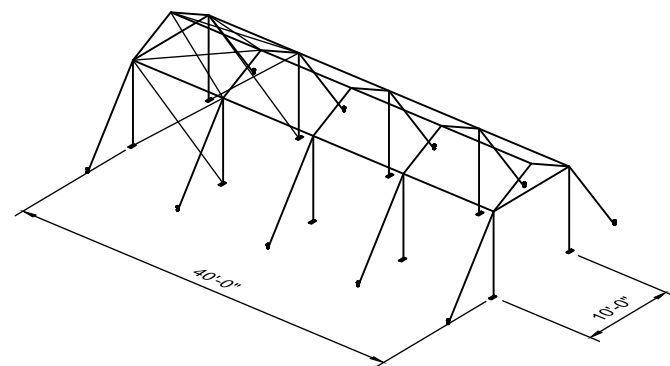
X-CABLED BAYS (UPRIGHT & RAFTER) SHALL BE ADDED SUCH THAT THERE ARE NO MORE THAN 6 OPEN BAYS BETWEEN X-CABLED BAYS.



**3D VIEW**



**CROSS SECTION OF ALUMINUM BEAM**



**3D VIEW**

**NOTES:**


- SEE THE I.F.A.I. STAKING GUIDE ON THEIR WEBSITE (WWW.IFAI.COM) FOR SOIL IDENTIFICATION & PULL-OUT CAPACITY OF STAKES.
- STAKING :  
8' EAVE - STAKE OUT 6'  
9' EAVE - STAKE OUT 6'-9"  
10' EAVE - STAKE OUT 7'-6"

**Caution:**

Staking or anchoring is the responsibility of the installer. Soil conditions will dictate the number of stakes or anchors required. **Do not use this drawing to determine staking requirements.** Contact Anchor for Engineering loading data that can be used in conjunction with IFAI methodologies to determine site specific anchoring requirements.

REV	EC	DATE	BY
1	5878	4/28/2022	DMK

REVISION HISTORY

ITEM DESCRIPTION		ITEM NO.
		
<b>BROCHURE DRAWING</b>		
<b>10' NAVI-TRAC LT GABLE END FRAMES</b>		
DRAWN BY:	DMK	CHECKED BY:
APPROVED BY:	EC#	DATE:
		8/29/2019
		DRAWING NO.
		19-414-2