

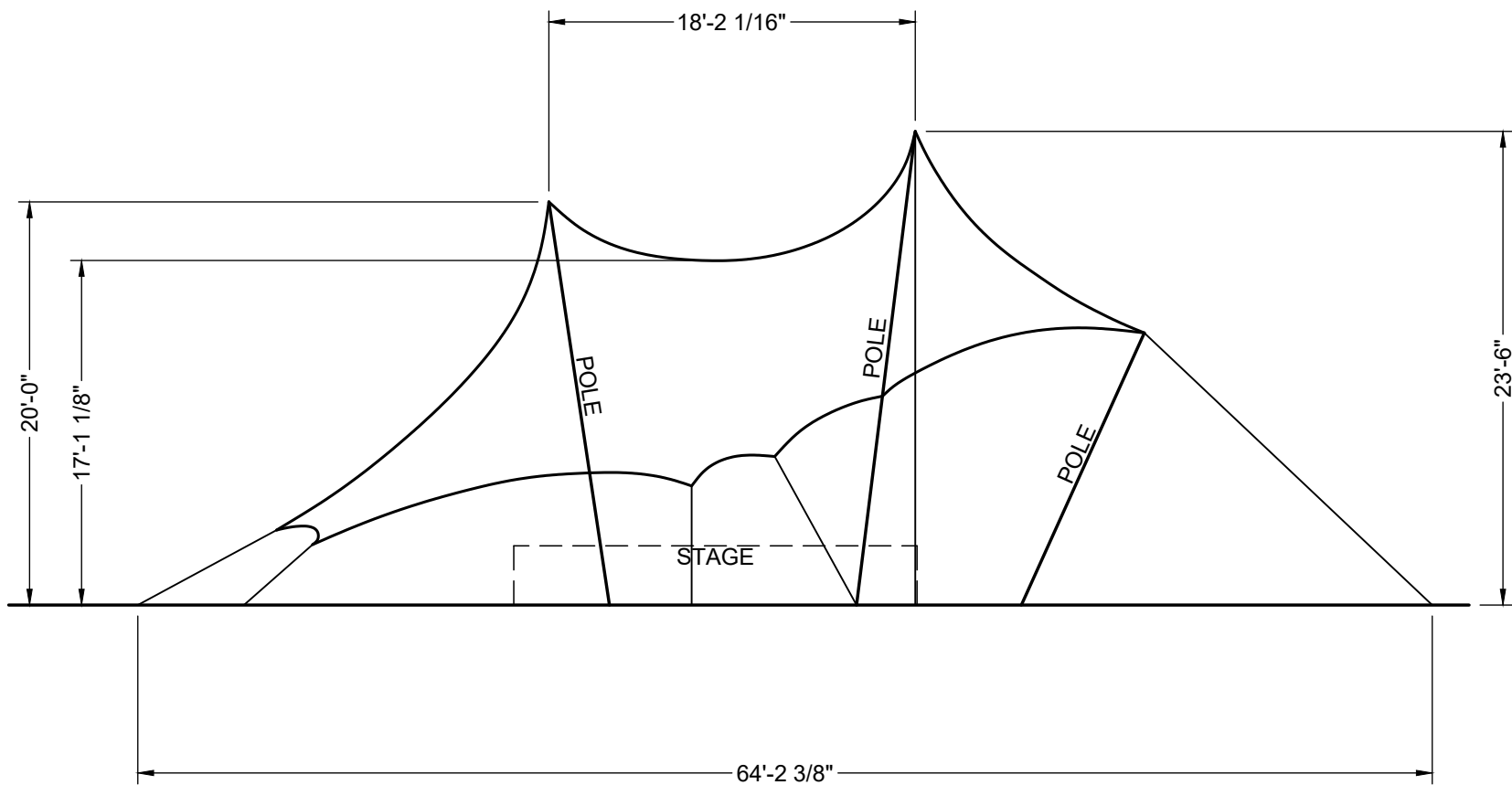
FRONT VIEW

NOTES:

1. ALL DIMENSIONS ARE APPROXIMATE AND MAY CHANGE DEPENDING ON INSTALLATION AND SITE CONDITIONS.

REV	EC	DATE	BY
REVISION HISTORY			


ITEM DESCRIPTION		ITEM NO.
		All data and information contained in or disclosed by this document is confidential and proprietary information of Anchor Industries, Inc. and all rights therein are expressly reserved. By accepting this material the recipient agrees that this material and the information contained therein is held in confidence and in trust and will not be used, copied, reproduced in the whole or in part, nor its contents revealed in any manner to others except to meet the specific purpose for which it was delivered.
ANCHOR BANDSHELL FRONT VIEW 20' x 32' BANDSHELL		
DRAWN BY: DMK		CHECKED BY:
APPROVED BY:		DATE: 3/3/2022
		DRAWING NO. 22-164-1



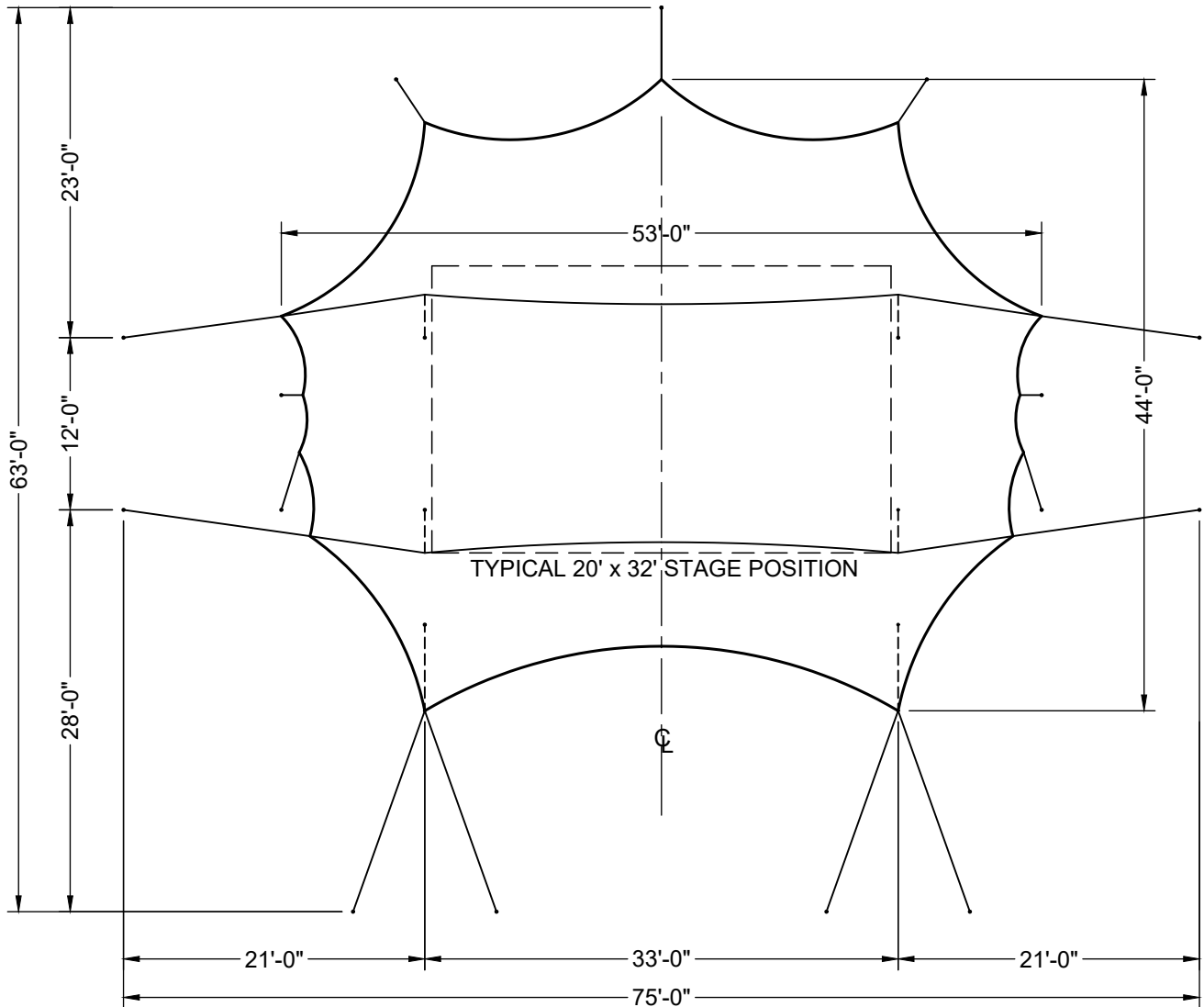
SIDE VIEW

NOTES:

1. ALL DIMENSIONS ARE APPROXIMATE AND MAY CHANGE DEPENDING ON INSTALLATION AND SITE CONDITIONS.

ITEM DESCRIPTION		ITEM NO.
		<small>All data and information contained in or disclosed by this document is confidential and proprietary information of Anchor Industries, Inc. and all rights therein are expressly reserved. By accepting this material the recipient agrees that this material and the information contained therein is held in confidence and in trust and will not be used, copied, reproduced in the whole or in part, nor its contents revealed in any manner to others except to meet the specific purpose for which it was delivered.</small>
<p>ANCHOR BANDSHELL</p> <p>FRONT VIEW 20' x 32' BANDSHELL</p>		
DRAWN BY:	DMK	CHECKED BY:
APPROVED BY:	EC#	DATE: 3/3/2022
REVISION HISTORY		DRAWING NO. 22-164-2

REV	EC	DATE	BY
REVISION HISTORY			




PLAN VIEW

NOTES:

1. ALL DIMENSIONS ARE APPROXIMATE AND MAY CHANGE DEPENDING ON INSTALLATION AND SITE CONDITIONS.

REV	EC	DATE	BY
REVISION HISTORY			

ITEM DESCRIPTION		ITEM NO.
		All data and information contained in or disclosed by this document is confidential and proprietary information of Anchor Industries, Inc. and all rights therein are expressly reserved. By accepting this material the recipient agrees that this material and the information contained therein is held in confidence and in trust and will not be used, copied, reproduced in the whole or in part, nor its contents revealed in any manner to others except to meet the specific purpose for which it was delivered.
ANCHOR BANDSHELL FRONT VIEW 20' x 32' BANDSHELL		
DRAWN BY:	DMK	CHECKED BY:
APPROVED BY:		DATE:
		3/3/2022
		DRAWING NO.
		22-164-3