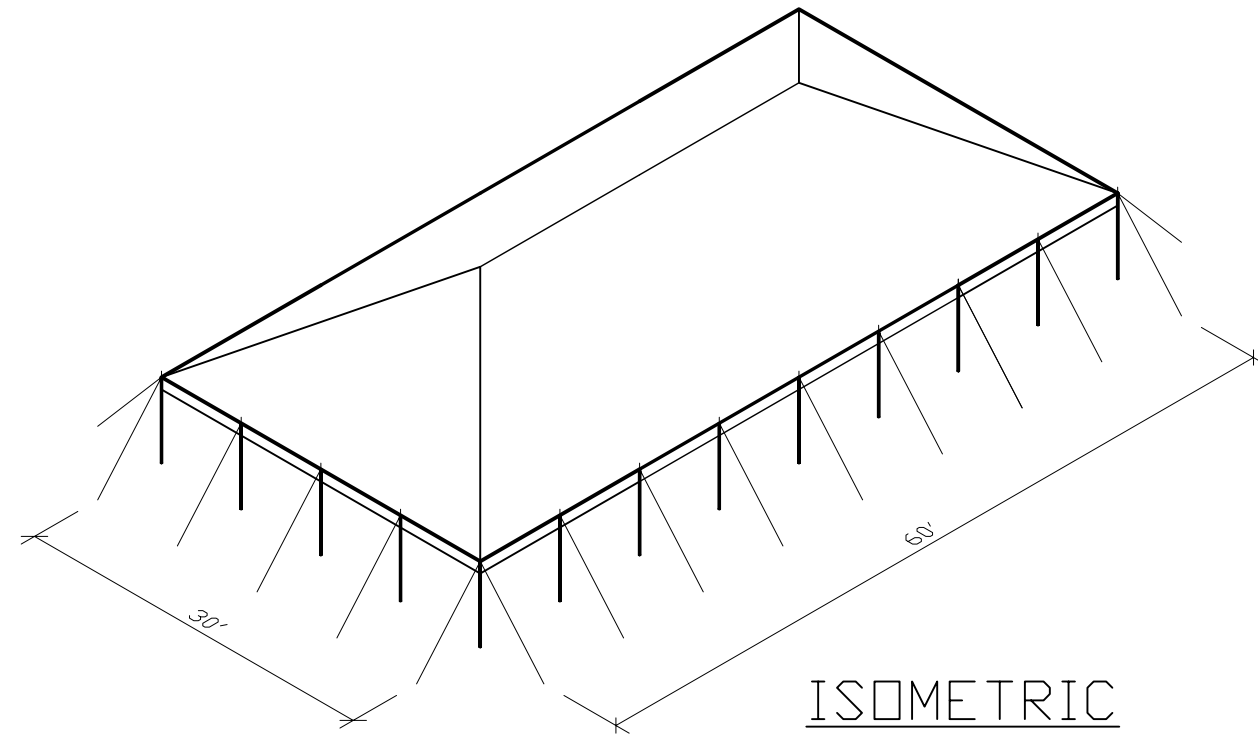


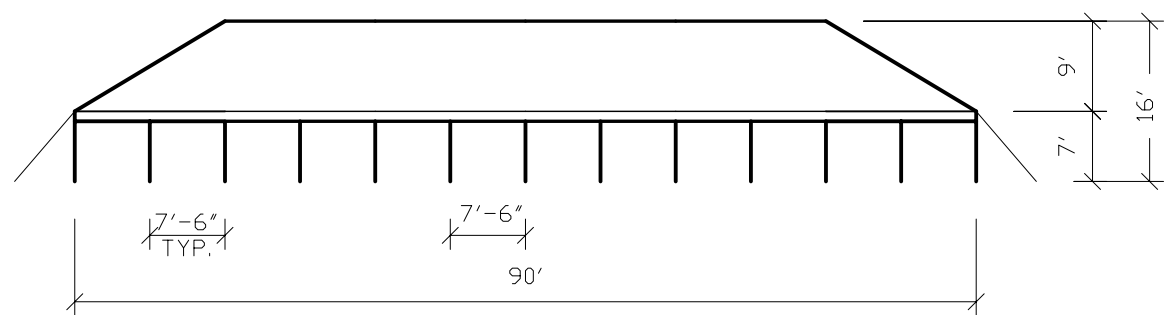
PLANS



ISOMETRIC

30' ROPE TENT INFORMATION					
WIDTH X LENGTH	CENTER POLE	QUARTER POLE	EIGHTH POLE	SIDE POLE	ROPES/STAKES
30' X 30'	1 / 16'	—	—	16	20
30' X 45'	2 / 16'	—	—	20	24
30' X 60'	3 / 16'	—	—	24	28
30' X 75'	4 / 16'	—	—	28	32
30' X 90'	5 / 16'	—	—	32	36
EACH ADDITIONAL 15'	1 / 16'	—	—	4	4
---' X ---'	-- / 16'	—	—		

NOTE: DIMENSIONS MAY VARY SLIGHTLY DEPENDING ON SITE CONDITIONS.



SIDE ELEVATION

REVISIONS			ANCHOR INDUSTRIES INC.		
EC/PR NO.	DATE	BY			
			BROCHURE DRAWING 30' WIDE SQ. END PARTY TENT		
DRAWN BY: DMS		CHECKED BY:		DRAWING NO.	
APPROVED BY:		EC/PR NO.	DATE: 08-29-06	06-253-5-2	