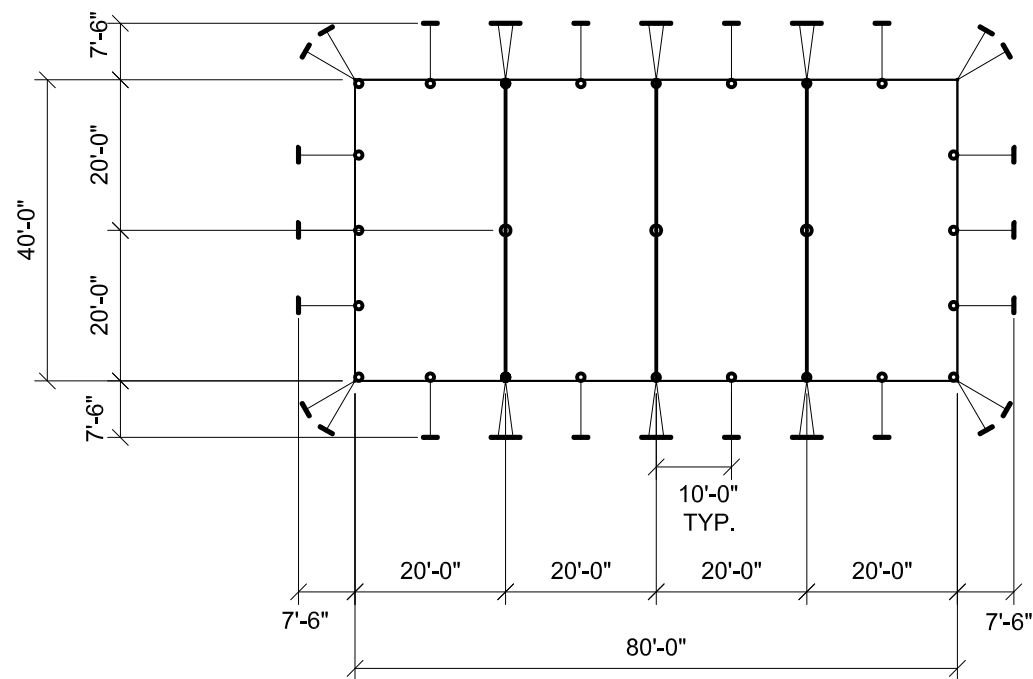
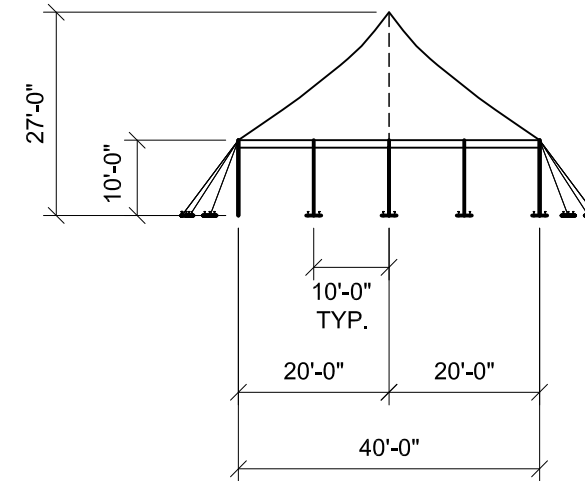


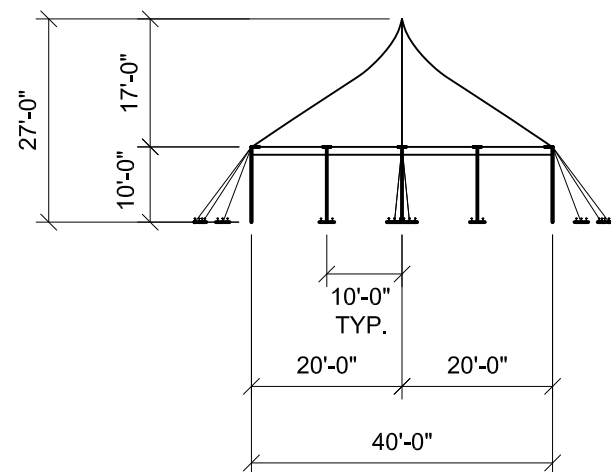
PLAN
(2) ENDS



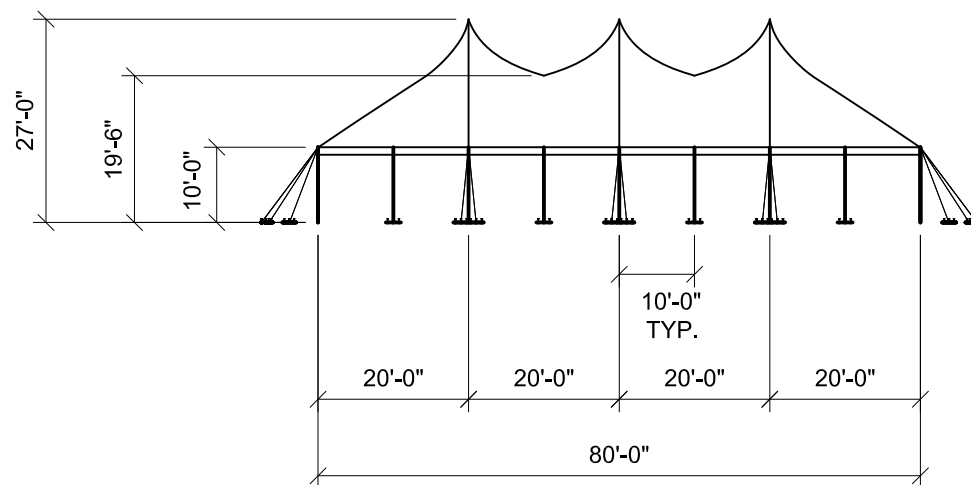
PLAN
(2) ENDS & (2) MIDS



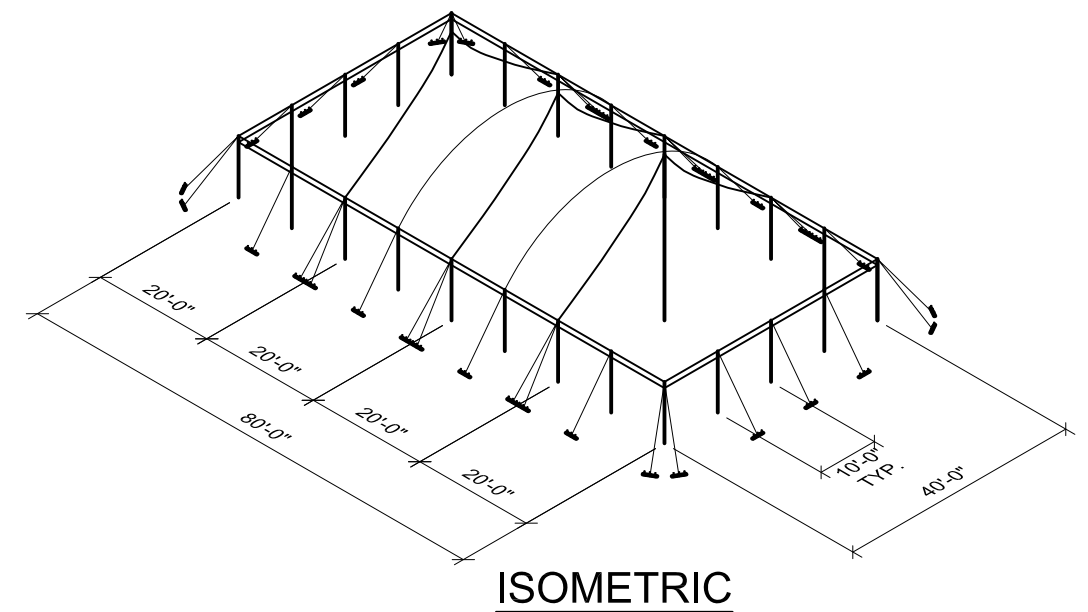
END ELEVATION



SIDE ELEVATION
(2) ENDS



SIDE ELEVATION
(2) ENDS & (2) MIDS



ISOMETRIC

NOTES:

1. GUY WEBS THROUGHOUT.
2. 10'-0" SIDE POLE SPACING.
3. 10'-0" EAVE HEIGHT SHOWN.
4. REF. B1-40M REV. 7-31-06.
5. NON-STANDARD STAKING SHOWN.
6. SEE THE I.F.A.I. STAKING GUIDE ON OUR WEBSITE (WWW.ANCHORINC.COM) FOR SOIL IDENTIFICATION & PULL-OUT CAPACITY OF STAKES.

REVISIONS			ANCHOR INDUSTRIES INC.		
EC/PR NO.	DATE	BY	BROCHURE DRAWING 40' SINGLE POLE CENTURY TENT WITH 20' MIDS		
1	05-09-2011	DMK			
2	09-07-2011	DMK			
DRAWN BY:		DMK	CHECKED BY:		DRAWING NO.
APPROVED BY:			EC/PR NO.	DATE:	06-253-3-1
				08-21-06	