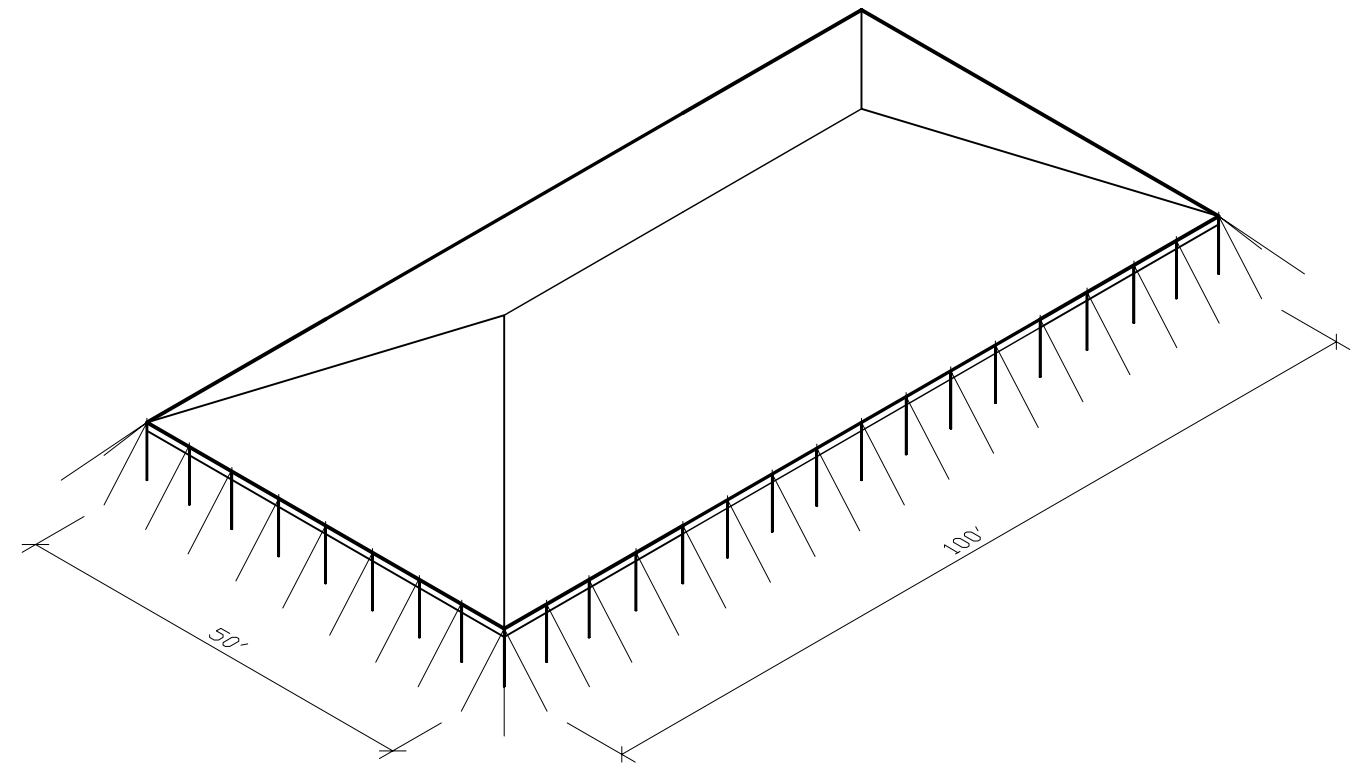


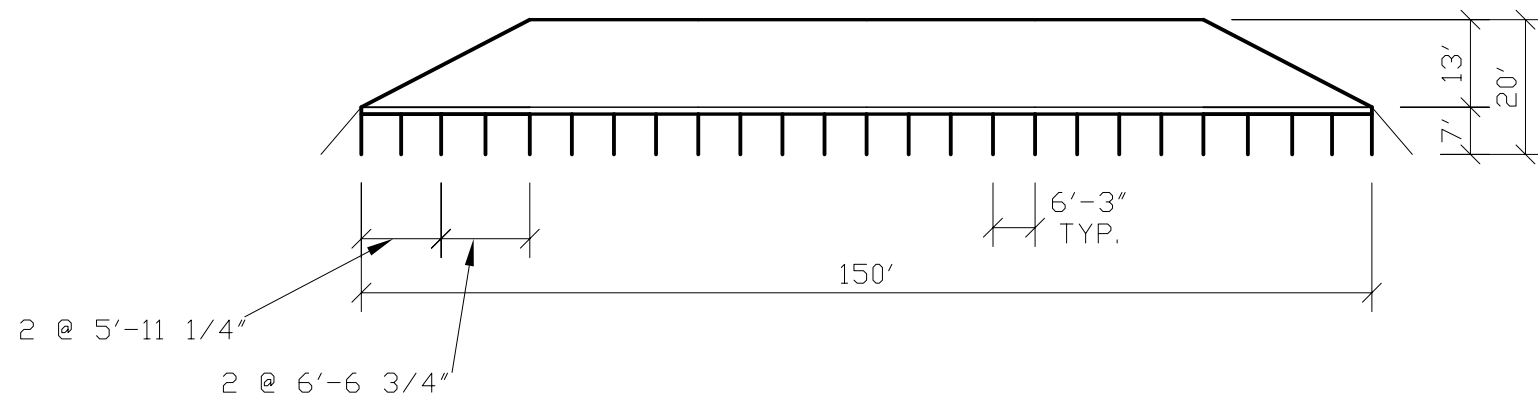
PLANS



ISOMETRIC

50' ROPE TENT INFORMATION					
WIDTH X LENGTH	CENTER POLE	QUARTER POLE	EIGHTH POLE	SIDE POLE	ROPES/STAKES
50' X 50'	1 / 20'	8 / 14'	—	32	40
50' X 75'	2 / 20'	10 / 14'	—	40	48
50' X 100'	3 / 20'	12 / 14'	—	48	56
50' X 125'	4 / 20'	14 / 14'	—	56	64
50' X 150'	5 / 20'	16 / 14'	—	64	72
EACH ADDITIONAL 25'	1 / 20'	2 / 14'	—	8	8
___' X ___'	__ / 20'	_ / 14'	—		

NOTE: DIMENSIONS MAY VARY SLIGHTLY DEPENDING ON SITE CONDITIONS.



SIDE ELEVATION

REVISIONS		
EC/PR NO.	DATE	BY

ANCHOR INDUSTRIES INC.

BROCHURE DRAWING
50' WIDE SQ. END PARTY TENT

DRAWN BY: DMK	CHECKED BY:	DRAWING NO. 06-253-5-4
APPROVED BY:	EC/PR NO.	DATE: 08-29-06