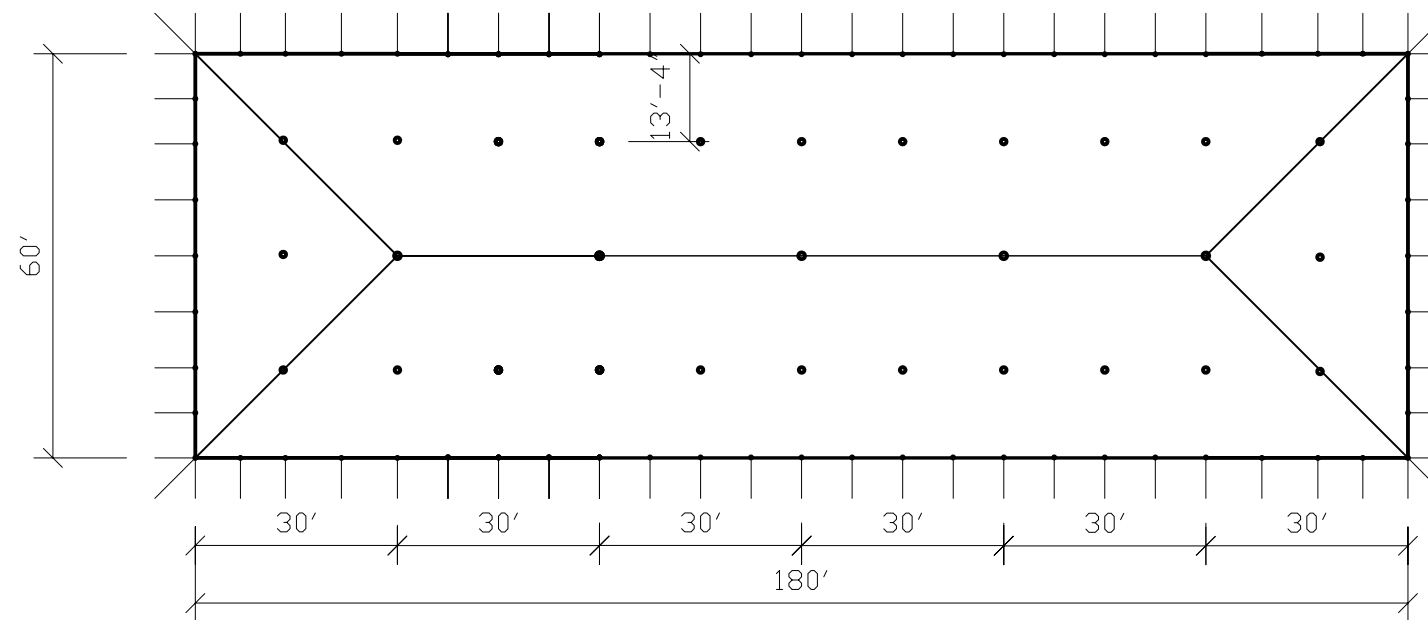
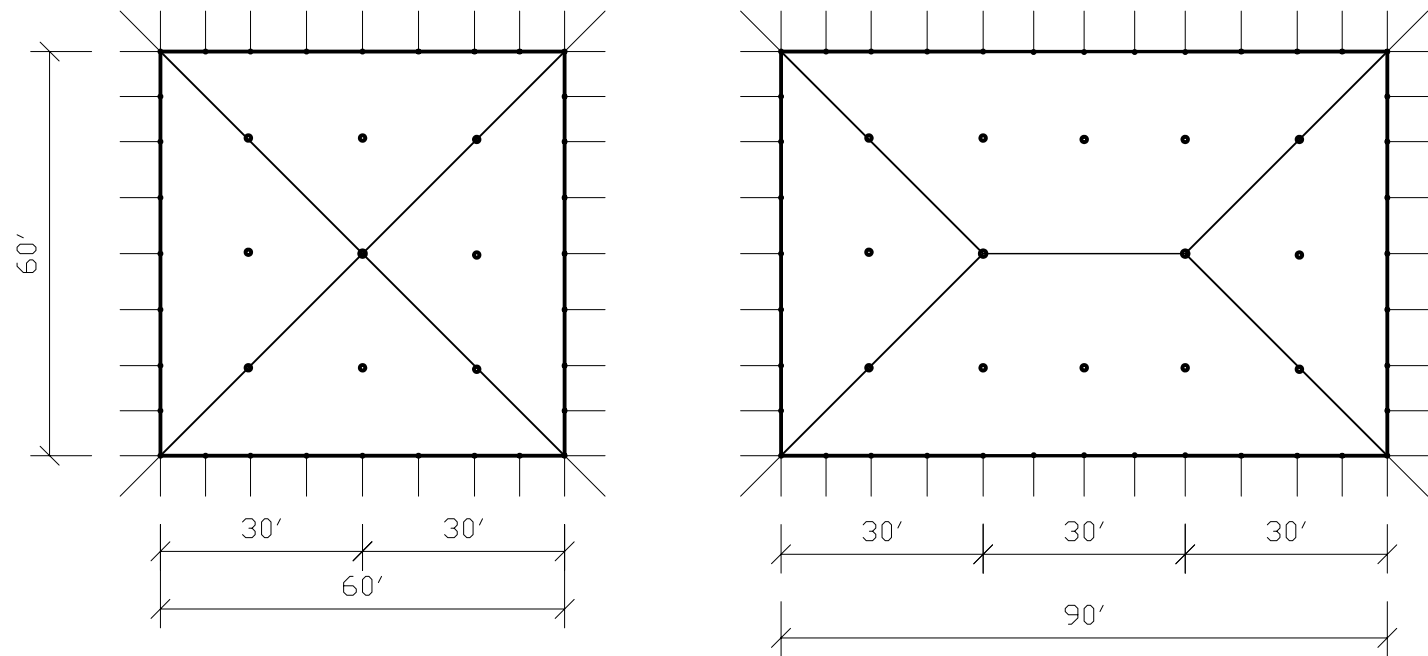
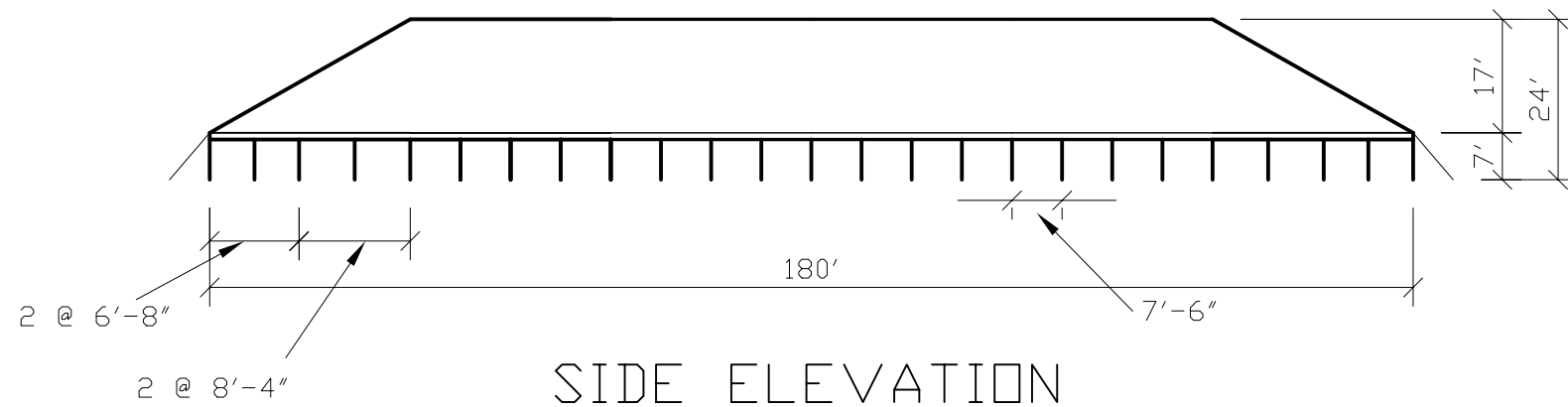


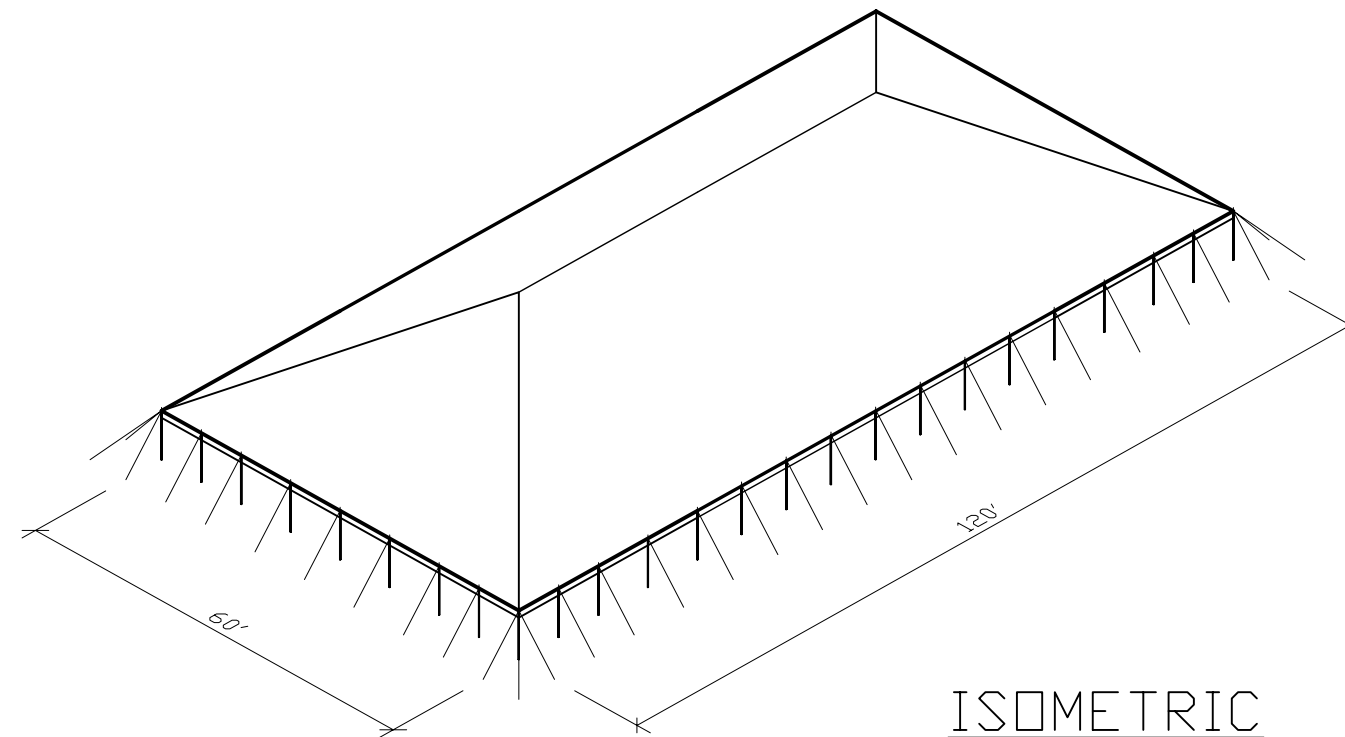
J:\Brochure Drawings\Party Tent\06-253-5-5.dwg, Model, 8/29/2006 4:23:44 PM, dkraus



PLANS



SIDE ELEVATION



ISOMETRIC

60' STD. ROPE TENT INFORMATION					
WIDTH X LENGTH	CENTER POLE	QUARTER POLE	EIGHTH POLE	SIDE POLE	ROPES/STAKES
60' X 60'	1 / 24'	8/15'-6'	---	32	40
60' X 90'	2 / 24'	12/15'-6'	---	40	48
60' X 120'	3 / 24'	16/15'-6'	---	48	56
60' X 150'	4 / 24'	20/15'-6'	---	56	64
60' X 180'	5 / 24'	24/15'-6'	---	64	72
-----	-----	-----	-----	-----	-----
-----	-----	-----	-----	-----	-----
EACH ADDITIONAL 30'	1 / 24'	4/15'-6'	---	8	8
---' X ---'	_ / 24'	_ /15'-6'	---		

NOTE: DIMENSIONS MAY VARY SLIGHTLY DEPENDING ON SITE CONDITIONS.

REVISIONS			ANCHOR INDUSTRIES INC.		
EC/PR NO.	DATE	BY			
			BROCHURE DRAWING		
			60' WIDE SQ. END PARTY TENT		
			DRAWN BY: DMK	CHECKED BY:	DRAWING NO.
			APPROVED BY:	EC/PR NO.	DATE: 08-29-06
					06-253-5-5