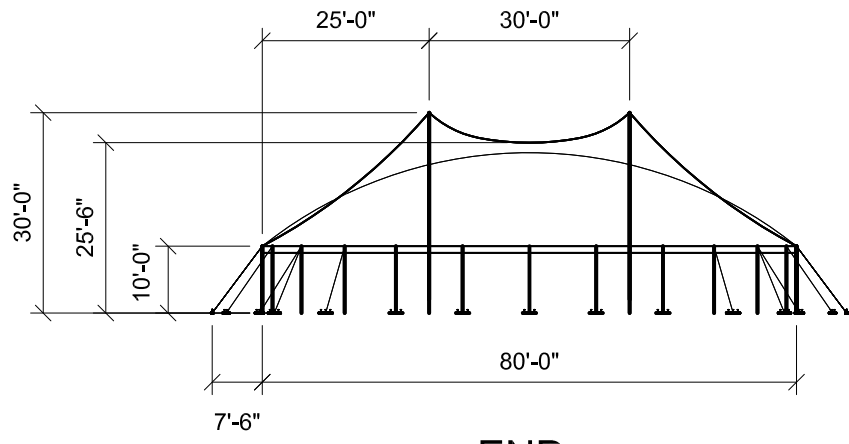
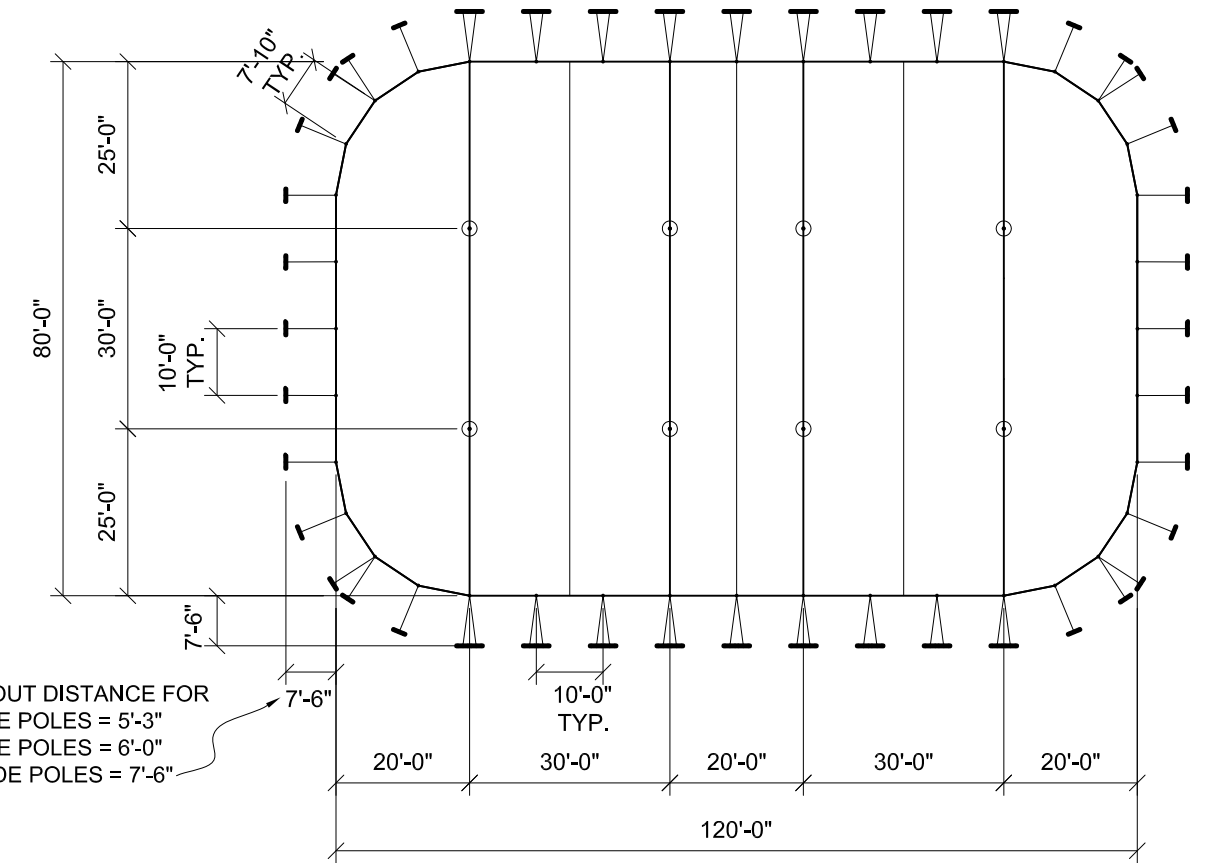


PLAN

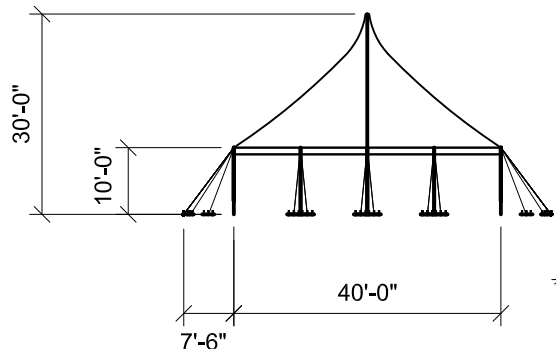


END ELEVATION

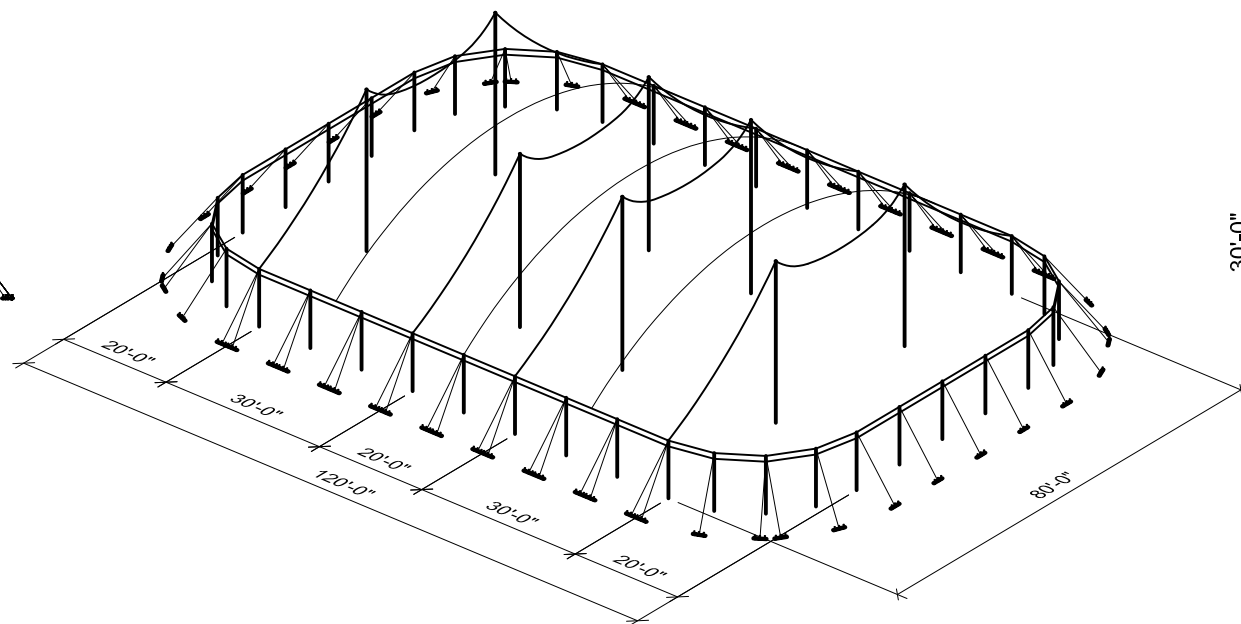


STAKE-OUT DISTANCE FOR
 7'-0" SIDE POLES = 5'-3"
 8'-0" SIDE POLES = 6'-0"
 10'-0" SIDE POLES = 7'-6"

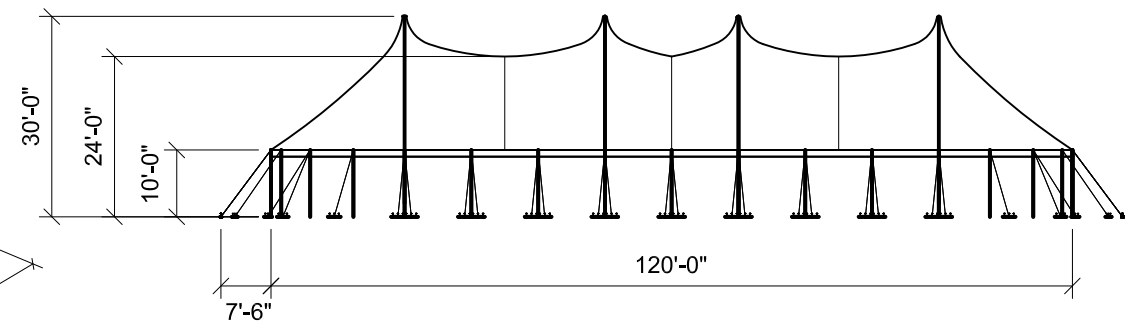
PLAN



SIDE ELEVATION



ISOMETRIC



SIDE ELEVATION

NON-STANDARD STAKING.

NOTES:

1. GUY WEBS THROUGHOUT.
2. 10'-0" SIDE POLE SPACING.
3. 10'-0" EAVE HEIGHT SHOWN.
4. REF. B3-80R REV. 2-15-06.
5. NON-STANDARD STAKING SHOWN.
6. SEE THE I.F.A.I. STAKING GUIDE ON OUR WEBSITE (WWW.ANCHORINC.COM) FOR SOIL IDENTIFICATION & PULL-OUT CAPACITY OF STAKES.

REVISIONS			ANCHOR INDUSTRIES INC.		
EC/PR NO.	DATE	BY	BROCHURE DRAWING 80' CENTURY TENT WITH 20' & 30' MIDS & ROUND ENDS		
1	08-13-13	DMK			
DRAWN BY:		CHECKED BY:	DRAWING NO.		
DMK			06-253-3-7-1		
APPROVED BY:		EC/PR NO.	DATE:		
			10-11-11		