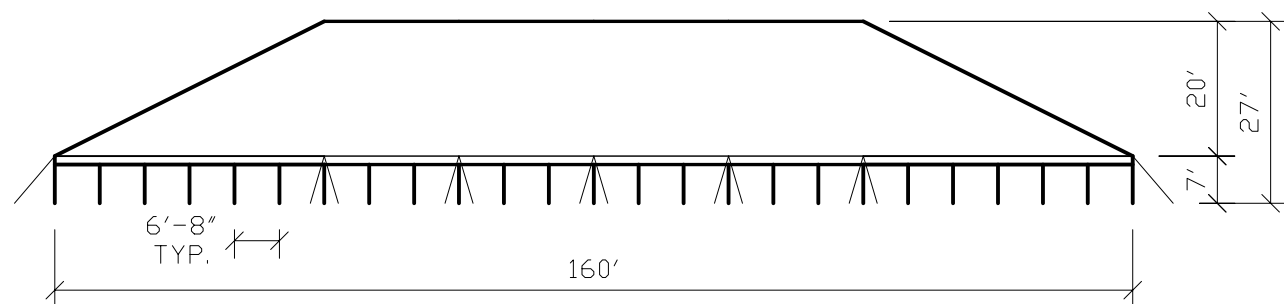
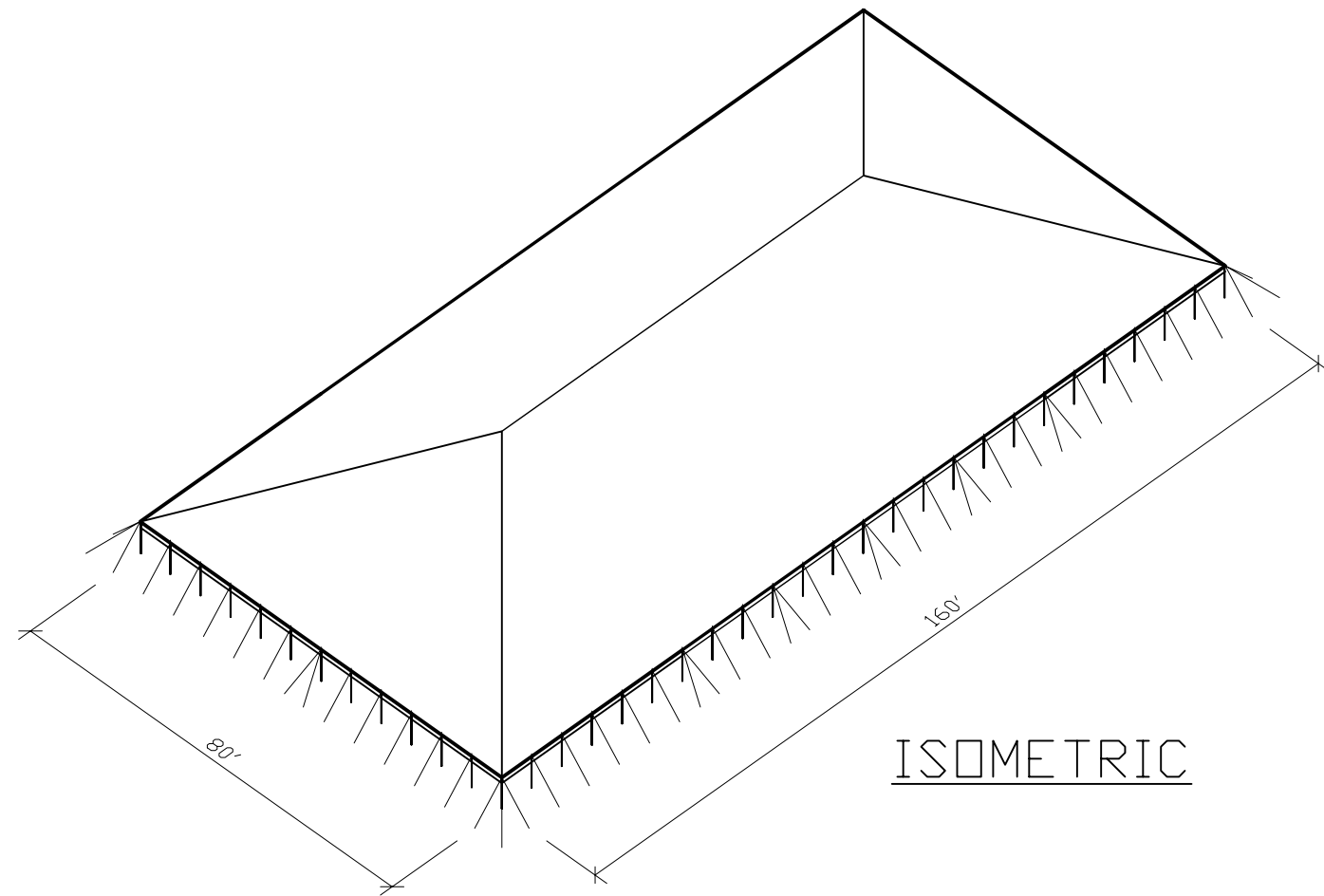


PLANS



SIDE ELEVATION



ISOMETRIC

80' ROPE TENT INFORMATION					
WIDTH X LENGTH	CENTER POLE	QUARTER POLE	EIGHTH POLE	SIDE POLE	ROPES/STAKES
80' X 80'	1 / 27'	8 / 17'	—	48	60
80' X 100'	2 / 27'	10 / 17'	—	54	68
80' X 120'	3 / 27'	12 / 17'	—	60	76
80' X 140'	4 / 27'	14 / 17'	—	66	84
80' X 160'	5 / 27'	16 / 17'	—	72	92
EACH ADDITIONAL 20'	1 / 27'	2 / 17'	—	6	8
---' X ---'	_ / 27'	_ / 17'	—		

NOTE: DIMENSIONS MAY VARY SLIGHTLY DEPENDING ON SITE CONDITIONS.

REVISIONS		
EC/PR NO.	DATE	BY

ANCHOR INDUSTRIES INC.

BROCHURE DRAWING
80' WIDE SQ. END PARTY TENT

DRAWN BY: DMK	CHECKED BY:	DRAWING NO.
APPROVED BY:	EC/PR NO.	DATE: 08-29-06

06-253-5-6