

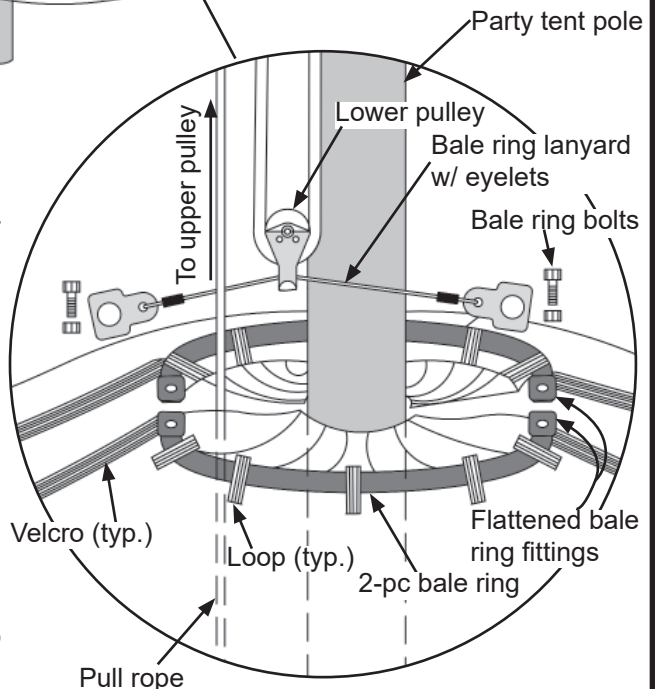
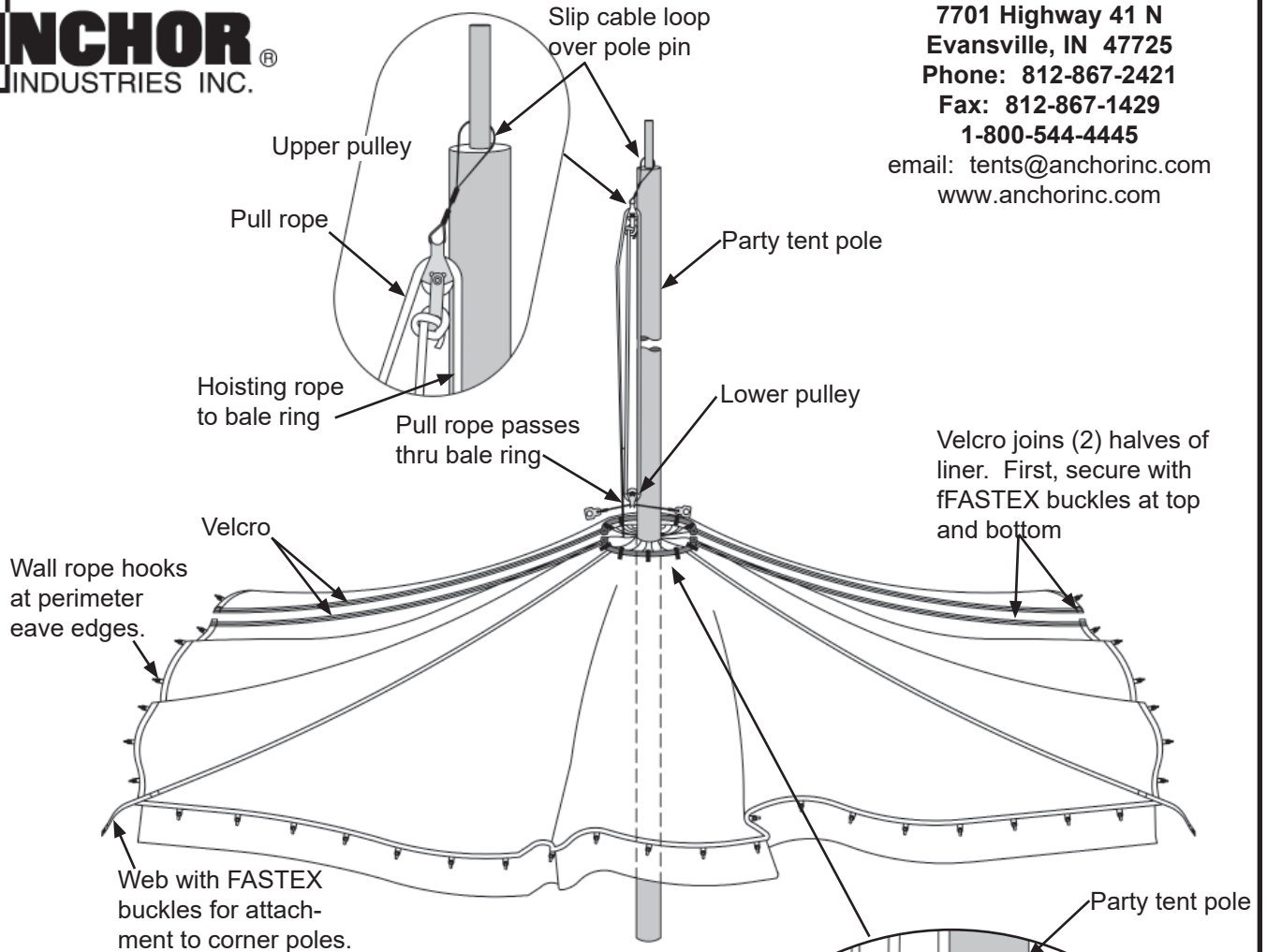
Installation Instructions

Party Tent Liner



Anchor Industries
 7701 Highway 41 N
 Evansville, IN 47725
 Phone: 812-867-2421
 Fax: 812-867-1429
 1-800-544-4445

email: tents@anchorinc.com
 www.anchorinc.com



INSTALLATION SEQUENCE:

1. During tent installation, before standing center pole, pass the cable loop of the top pulley over the pole pin at the top of the center pole.
2. Lower the bottom pulley (w/lanyard) to a convenient working height.
3. Pass each half of the bale ring through the loops at the peak circles of each half of the liner.
4. Bolt the two halves of the bale ring together, capturing the eyelets of the bale ring lanyard with the same bolt. Be sure the pull rope passes through the bale ring.
5. Join the two halves of the liner by connecting the FASTEX buckles at the top and bottoms of the velcroed edges.
6. Seal the velcro strips to join the two halves of the liner continuously.
7. Using the pull rope, raise the liner approximately 2/3 of the way to the peak.
8. Attach the perimeter hooks to the wall rope at the eave line of the tent.
9. Hoist the liner to within approximately 1 to 1 1/2 feet of the peak.

Washing Care:

Machine wash up to 160°F.

Use synthetic detergent.

Tumble dry warm temperature (100° - 120°F).

Remove promptly.

No bleach or softeners.



PHONE NUMBER

812 · 867 · 2421

FAX NUMBER

812 · 867 · 1429

Anchor products are of superior design and operate best within the parameters of these instructions. It is imperative that the instructions be carefully read and **COMPLETELY FOLLOWED**. Please read installation instructions before the installation or removal of this product. Installation instructions are available online at www.anchorinc.com or by calling 1-800-544-4445.



WARNING

1. For each installation, the installer is solely responsible for evaluating the site and the proper securing method determined. Some soils require different staking or securing than that provided with the tent. Due to this variety of soil conditions, these are the manufacturer's suggested sequence of installation procedures. Anchor's responsibility is limited to the manufacture of the tent parts and materials. We are not responsible for methods that installers may choose to erect and secure the tent to the ground.
2. The number of stakes suggested in the installation instructions do not necessarily meet all or any relevant codes on the site of the tent installation. The number of stakes suggested **will, in many cases, keep the tent erected**, however, due to various soil conditions; these stakes will be insufficient **to keep the tent secure in high winds**. It is the tent installer's responsibility, not the manufacturer, to determine the appropriate number of stakes to meet the necessary wind loads on the site. Regardless of the number of stakes we suggest, we make no representation or warranty as to whether this specific number of stakes will meet the local tent code. Anchor does not, nor can it make any suggestions, representation, or warranties about the adequate staking required at each specific installation site. Staking information provided in the installation instructions **is not a suggestion about what is necessary to meet a site-specific load**.

For additional important information, consult: "The IFAI Procedural Handbook For the Safe Installation and Maintenance of Tentage" and the IFAI Pocket Guide "Pullout Capacity of Tent Stakes", both available from the IFAI Tent Rental Division on their website (www.ifai.com).

3. Inasmuch as the weather is unpredictable, good judgment and common sense must be incorporated within installation guidelines. It is the responsibility of the tent installer/maintainer to determine the severity of the weather, proper time and method of installation and/or erection and disassembly. **Note: We recommend that snow and ice be removed from the tent surface as soon as possible because accumulation will damage the tent or fabric structure. Please consult with our Engineering Department about the maximum loads for each product.**

This product has been manufactured for use as a temporary structure. For the safety of all occupants, evacuation is recommended if threatening weather occurs, or if there is any doubt concerning the safe use of this product.

4. Proper safety equipment should be used at all times to insure a safe installation and take down. We suggest a careful evaluation be made to determine safety equipment needed, such as hard hats, steel-toe shoes, safety glasses and other as required. It is our desire that all installations are safe. Please be aware of hidden dangers both underground, i.e., gas lines, water lines, electrical lines, etc. and above the tent such as power lines and telephone lines.
5. Anchor stands behind its products in accordance with its standard Terms and Conditions of sale. A copy of our Terms and Conditions of Sale can be obtained by contacting Anchor at the telephone number and/or address on this document.