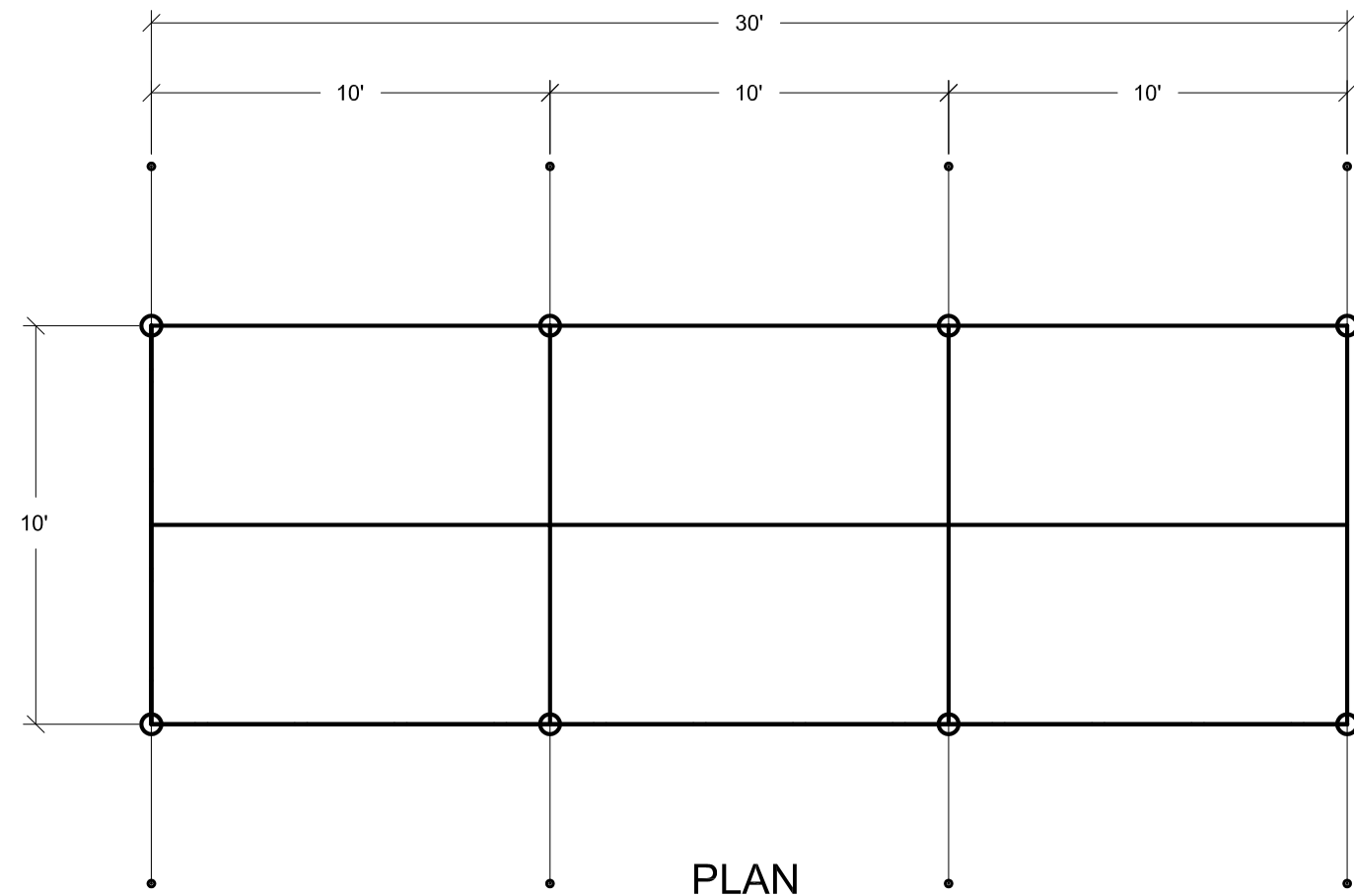
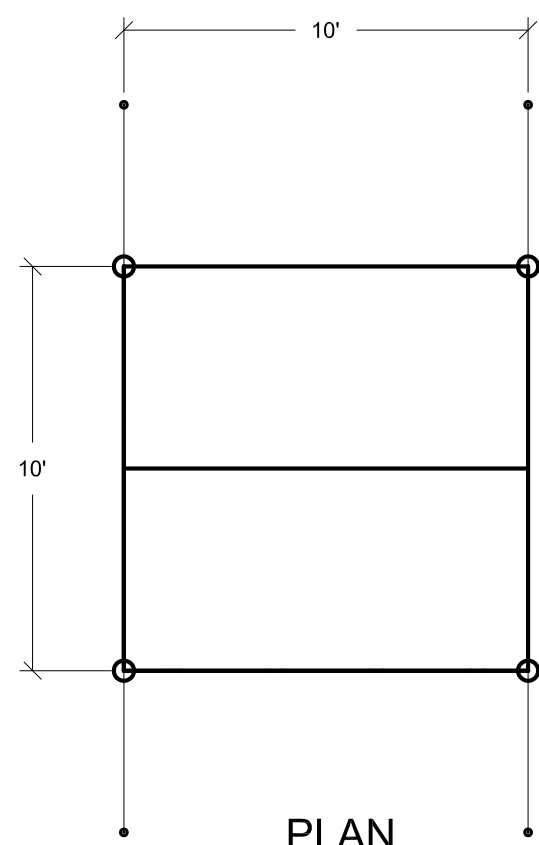


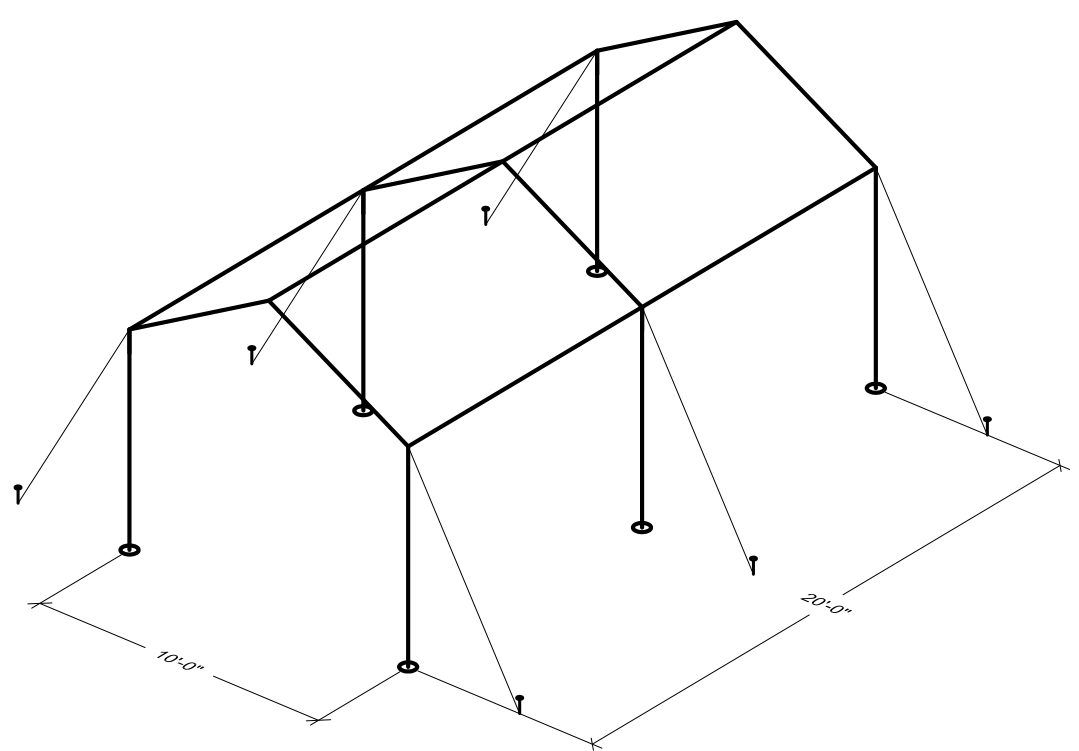
J:\Brochure Drawings\06-253-2-8-3.dwg, Model: 7/7/2008 4:42:50 PM, dkraus, 1:57



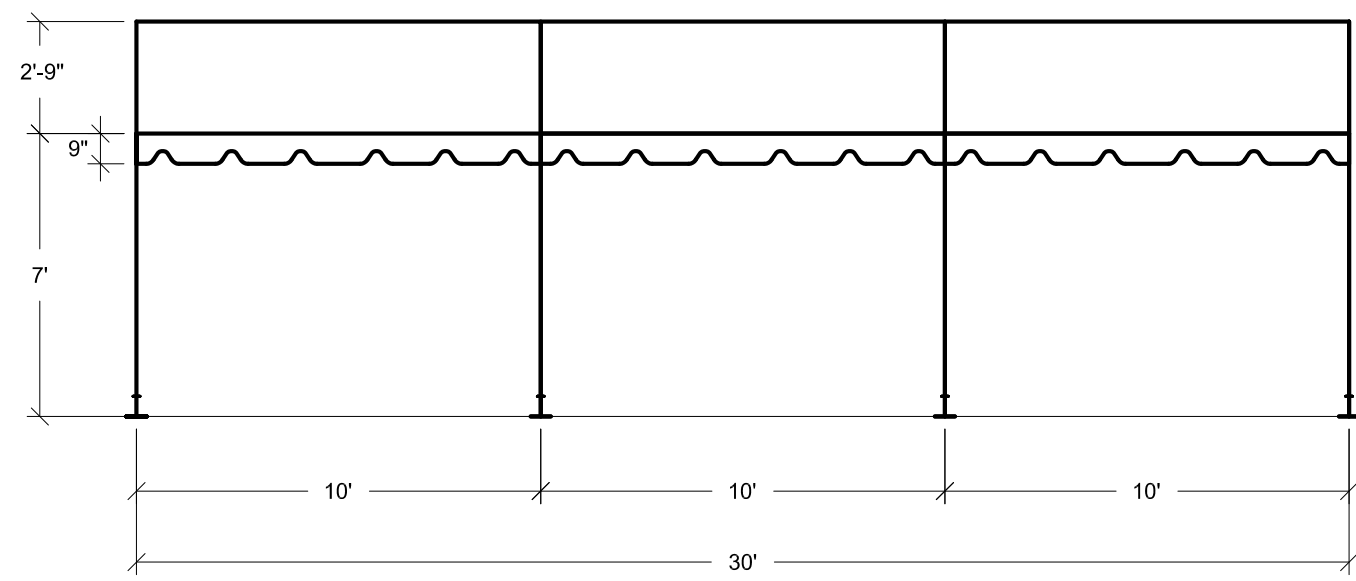
PLAN



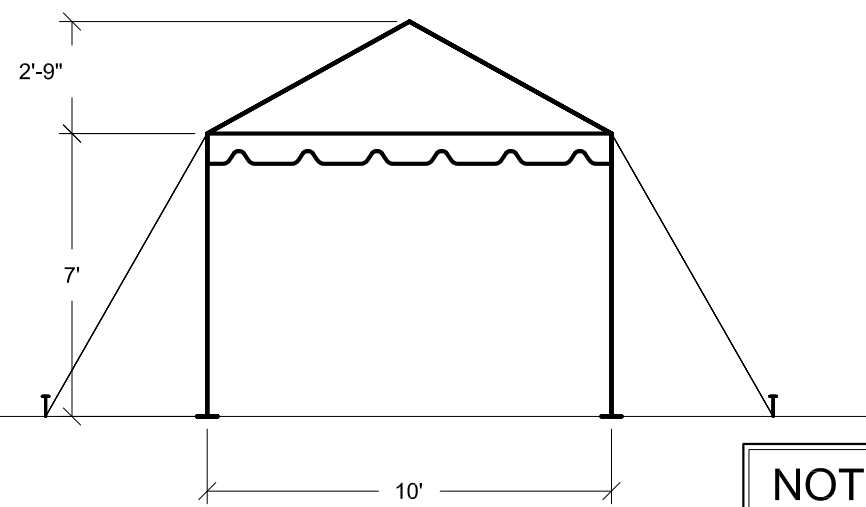
PLAN



ISOMETRIC



SIDE ELEVATION



END ELEVATION

NOTE: UPRIGHTS MAY BE ADJUSTABLE FROM 7'-0" TO 10'-0".

REVISIONS		
EC/PR NO.	DATE	BY
1	02-15-08	DMK
2	07-07-08	DMK

ANCHOR INDUSTRIES INC.		
BROCHURE DRAWING		
10' WIDE FIESTA MARQUEE		
DRAWN BY: DMK	CHECKED BY:	DRAWING NO.
APPROVED BY:	EC/PR NO.	DATE: 08-18-06
		06-253-2-8-3