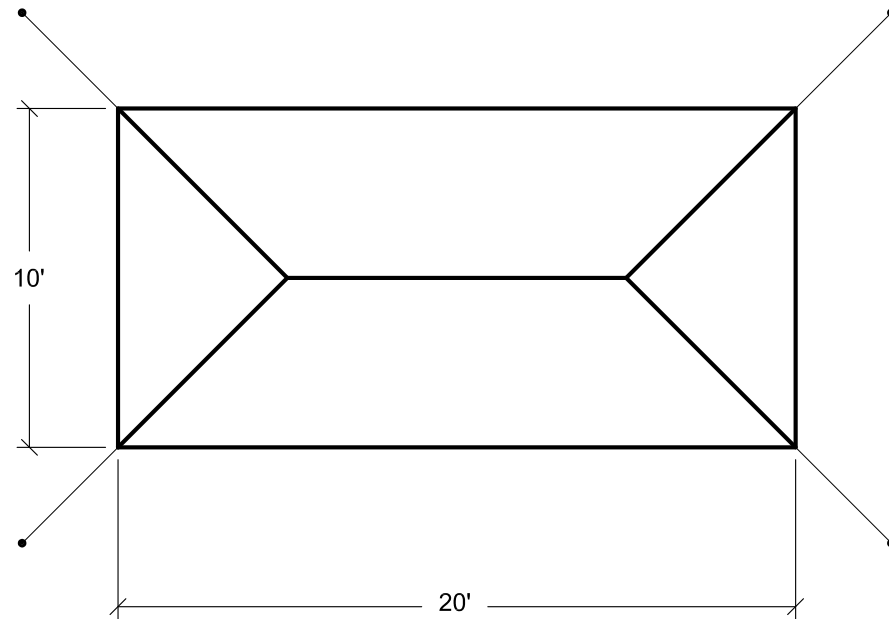
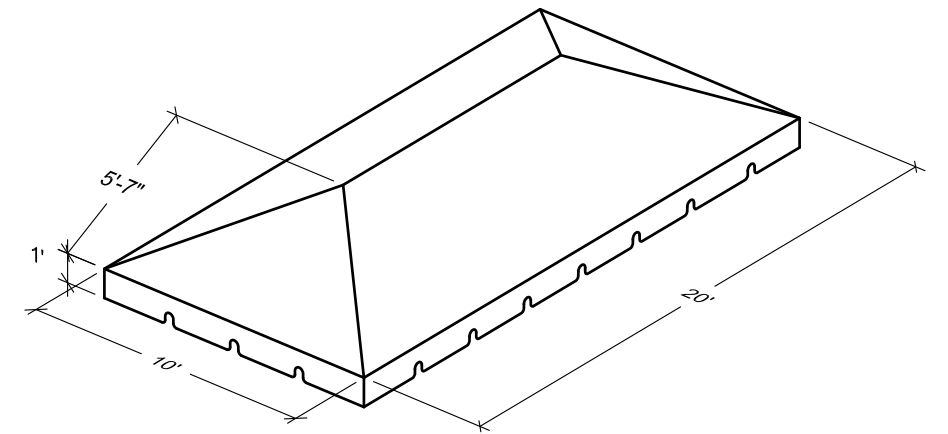


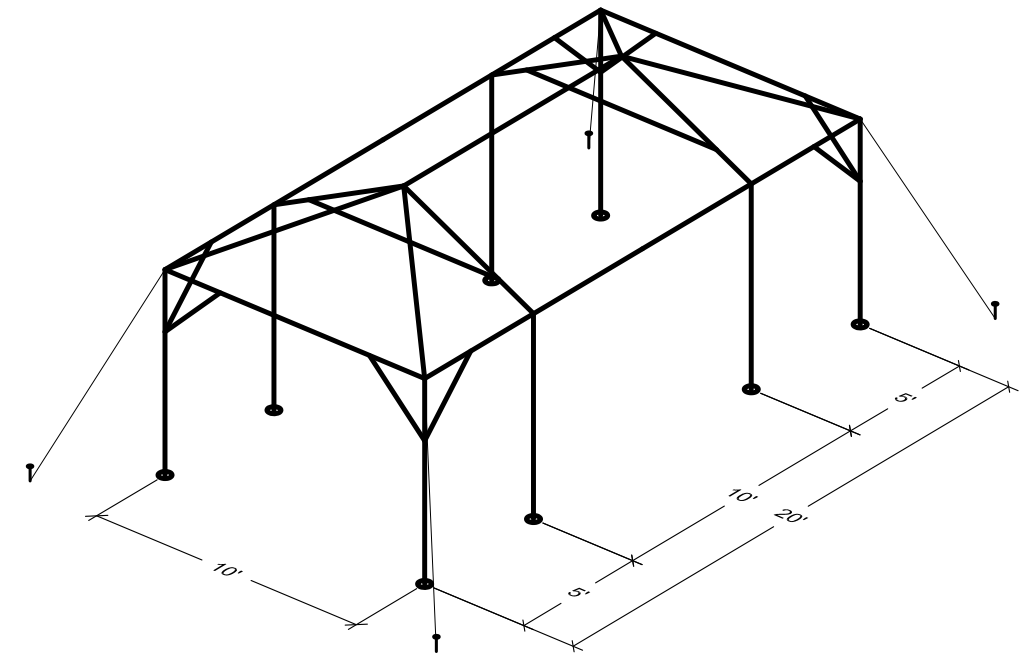
PLAN



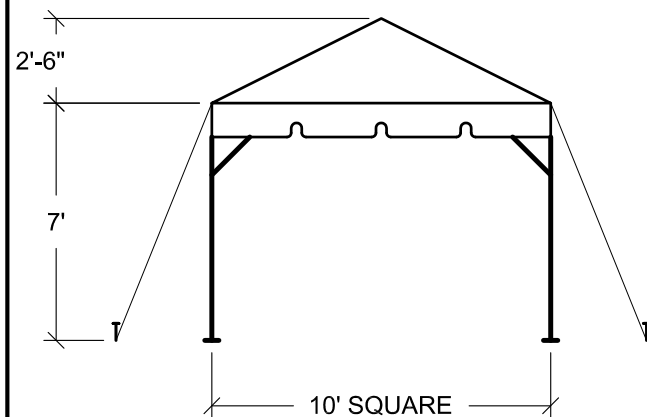
PLAN



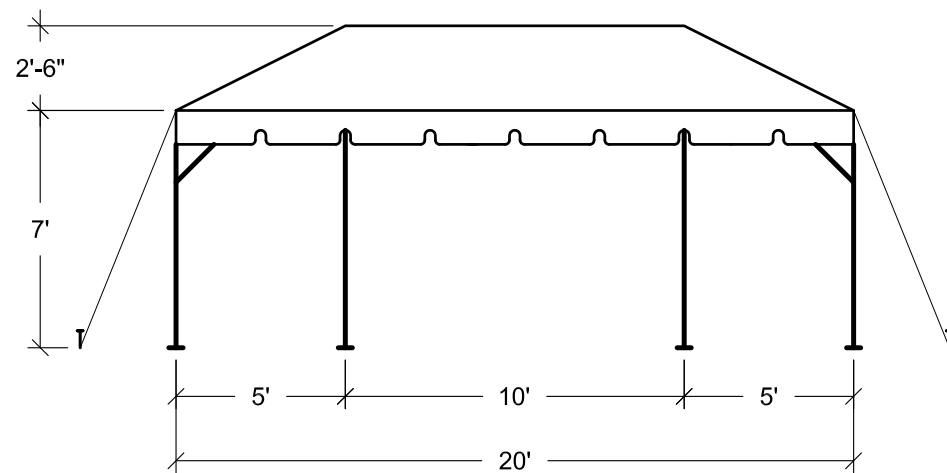
TOP



ISOMETRIC



SIDE ELEVATION



SIDE ELEVATION

NOTE: UPRIGHTS MAY BE ADJUSTABLE FROM 7'-0" TO 10'-0".

REVISIONS			ANCHOR INDUSTRIES INC.		
EC/PR NO.	DATE	BY	BROCHURE DRAWING		
			10' SQ. & 10' x 20' FIESTA FRAME TENT		
			DRAWN BY: DMK	CHECKED BY:	DRAWING NO.
			APPROVED BY:	EC/PR NO.	DATE: 07-07-08
					06-253-2-1-1