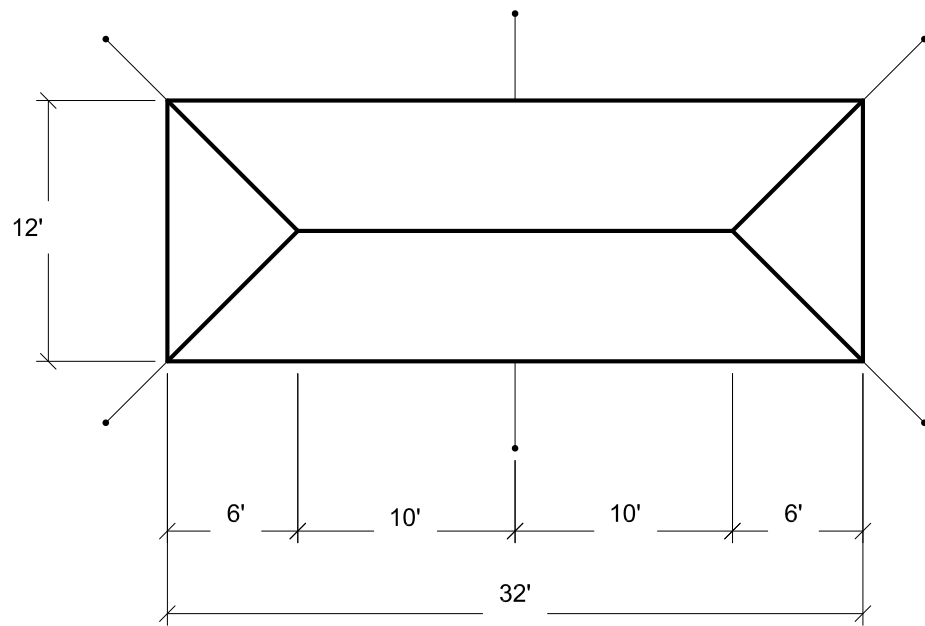
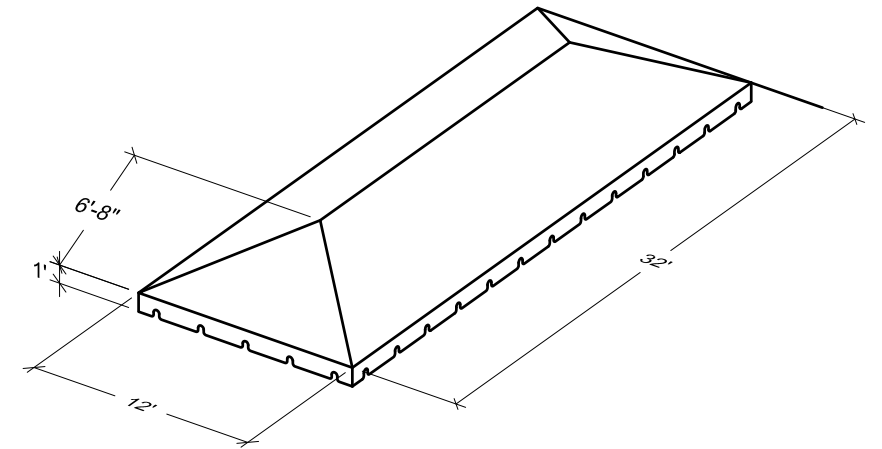


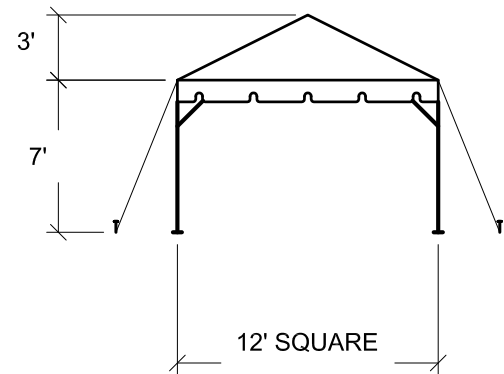
PLAN



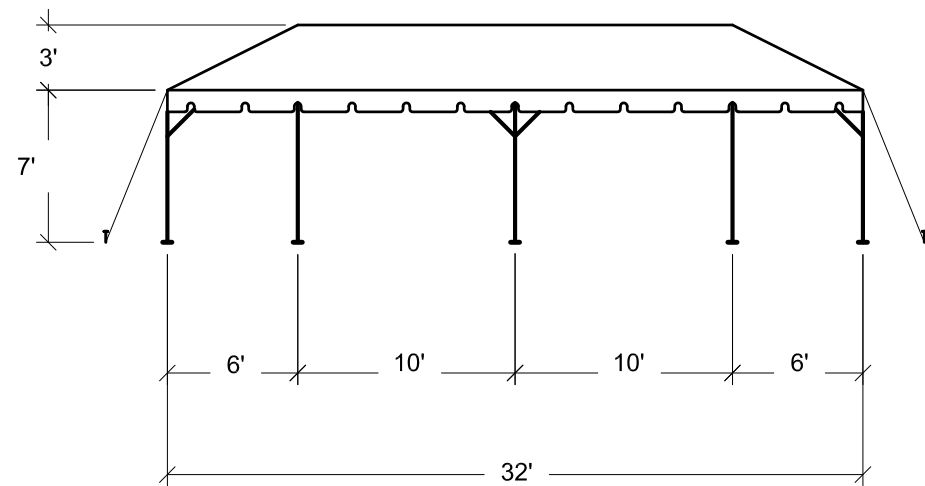
PLAN



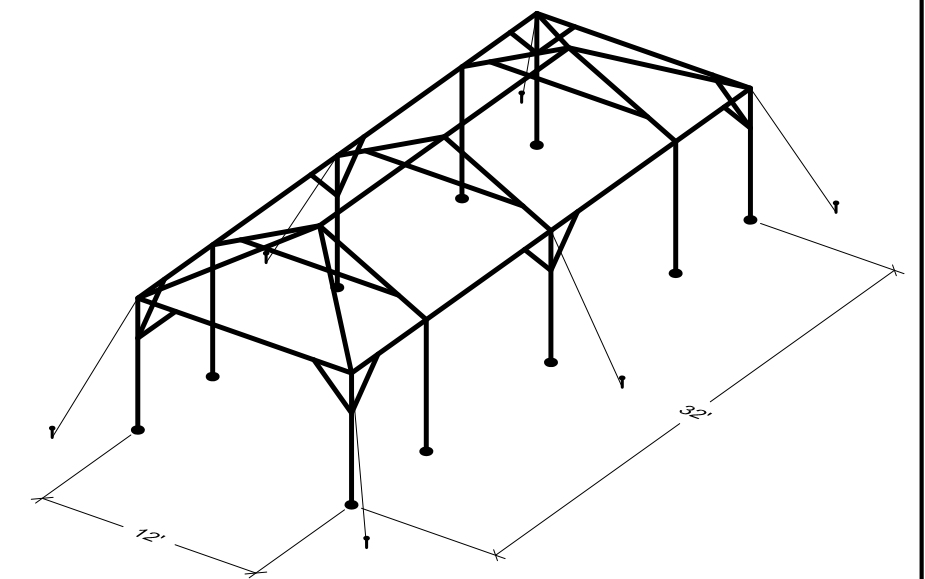
TOP



SIDE ELEVATION



SIDE ELEVATION



ISOMETRIC

**NOTE:** UPRIGHTS MAY BE ADJUSTABLE FROM 7'-0" TO 10'-0".

REVISIONS			ANCHOR INDUSTRIES INC.		
EC/PR NO.	DATE	BY	<b>BROCHURE DRAWING</b> 12' SQ. & 12' x 32' FIESTA FRAME TENT		
1	07-01-08	DMK			
2	04-23-09	DMK	DRAWING NO. <b>06-253-2-1-5</b>		
DRAWN BY: DMK		CHECKED BY:		DATE: 02-14-08	
APPROVED BY:		EC/PR NO.		DATE: 02-14-08	