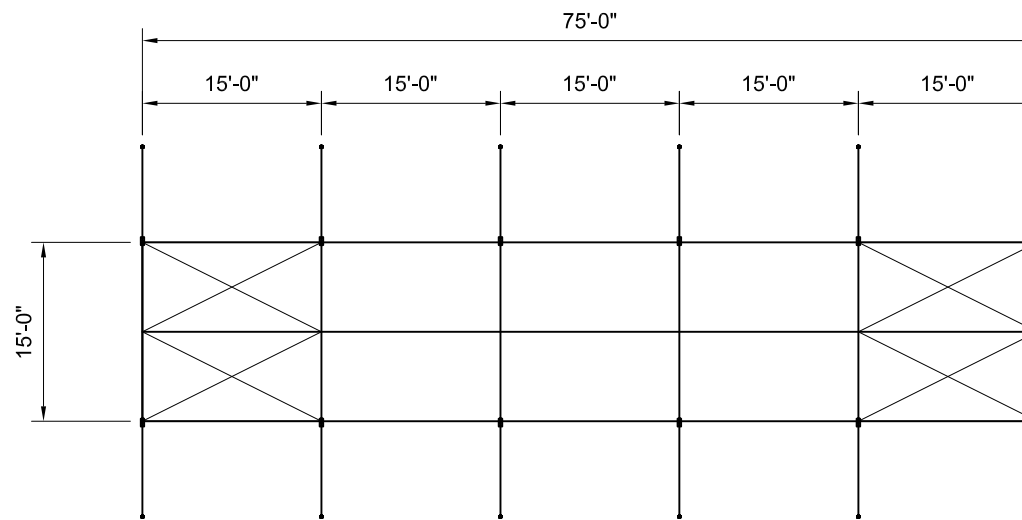


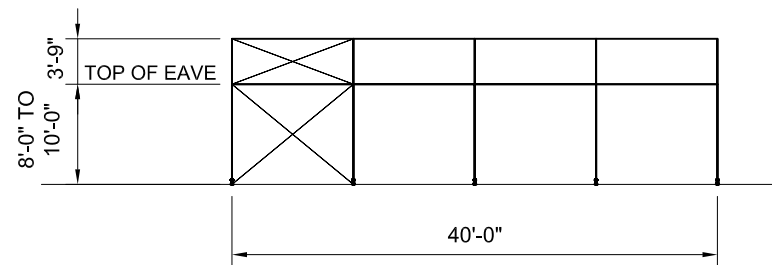
PLAN VIEW

600 SQ. FT.
GABLE ENDS WITH (4)
10'-0" BAYS

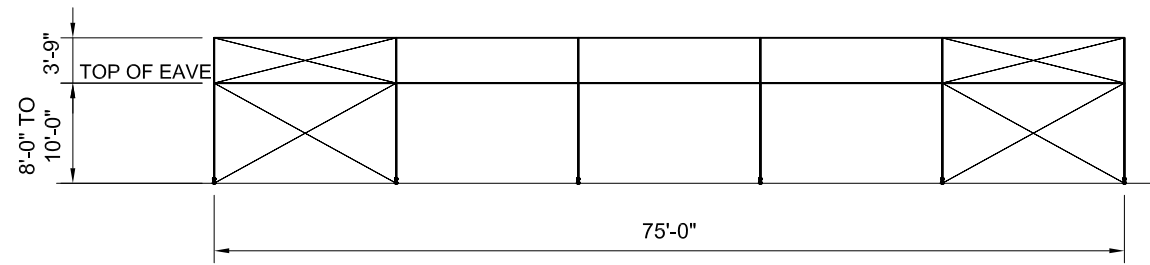


PLAN VIEW

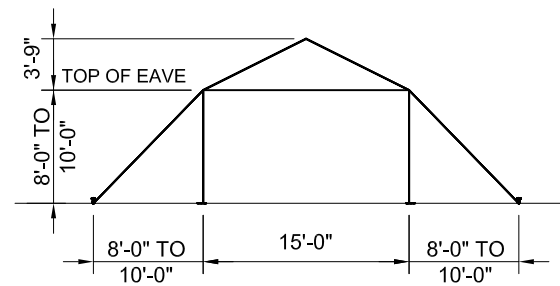
1,125 SQ. FT.
GABLE ENDS WITH (5)
15'-0" BAYS



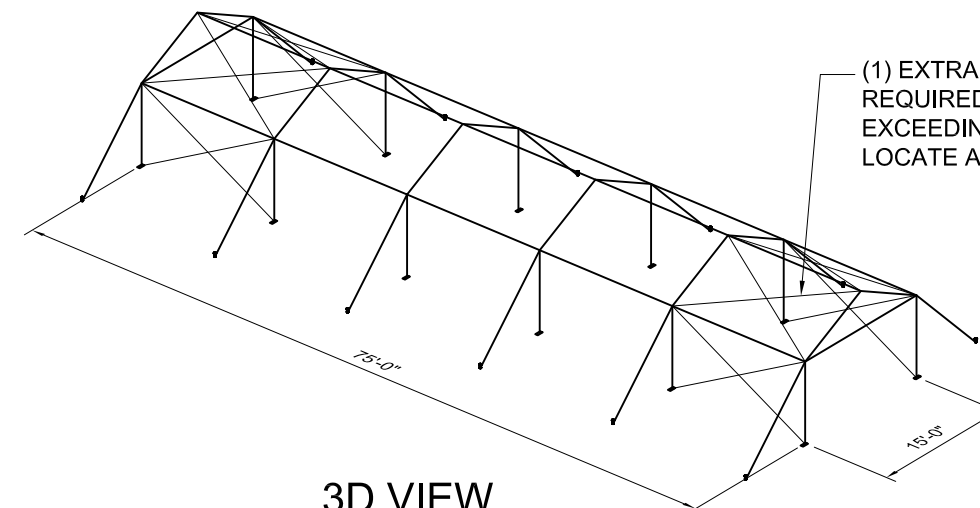
SIDE VIEW



SIDE VIEW

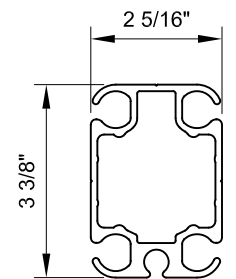


END VIEW

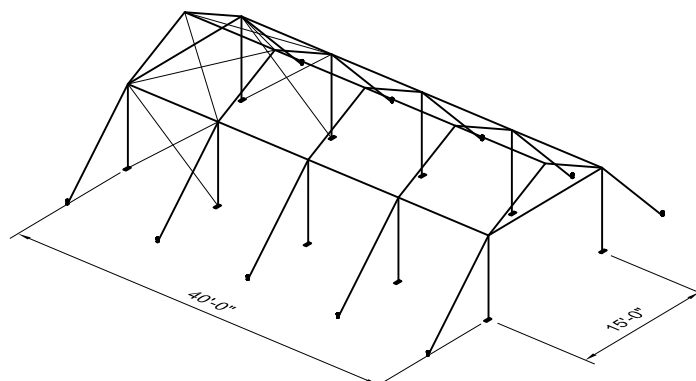


3D VIEW

(1) EXTRA BAY WITH "X" CABLES
REQUIRED FOR STRUCTURE
EXCEEDING 60' IN LENGTH -
LOCATE AT ANY BAY.



**CROSS SECTION OF
ALUMINUM BEAM**




3D VIEW

Caution:
Staking or anchoring is the responsibility of the installer. Soil conditions will dictate the number of stakes or anchors required. **Do not use this drawing to determine staking requirements.** Contact Anchor for Engineering loading data that can be used in conjunction with IFAI methodologies to determine site specific anchoring requirements.

NOTES:

- SEE THE IFAI STAKING GUIDE ON THEIR WEBSITE (WWW.IFAI.COM) FOR SOIL IDENTIFICATION AND PULL-OUT CAPACITY OF STAKES.

REV	EC	DATE	BY
REVISION HISTORY			

ITEM DESCRIPTION		ITEM NO.
 BROCHURE DRAWING		
15' NAVI-TRAC LT GABLE END FRAMES		
DRAWN BY:	DMK	CHECKED BY:
APPROVED BY:	EC#	DATE: 3/21/2018
		DRAWING NO. 18-202-2

All data and information contained in or disclosed by this document is confidential and proprietary information of Anchor Industries, Inc. and all rights therein are expressly reserved. By accepting this material the recipient agrees that this material and the information contained therein is held in confidence and in trust and will not be used, copied, reproduced in the whole or in part, nor its contents revealed in any manner to others except to meet the specific purpose for which it was delivered.