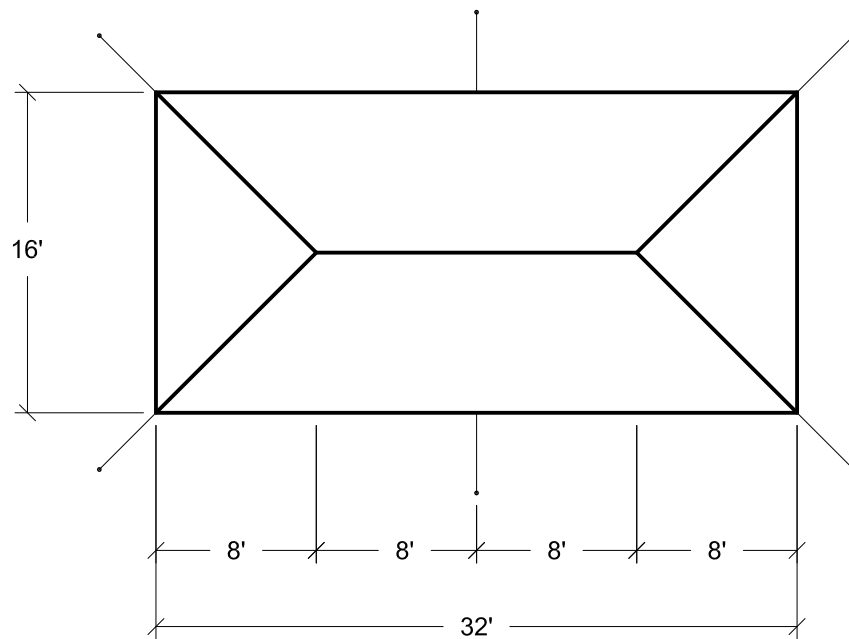
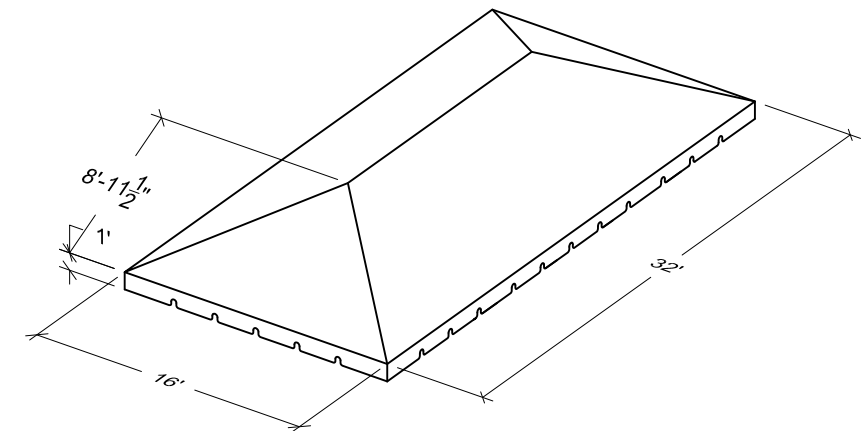


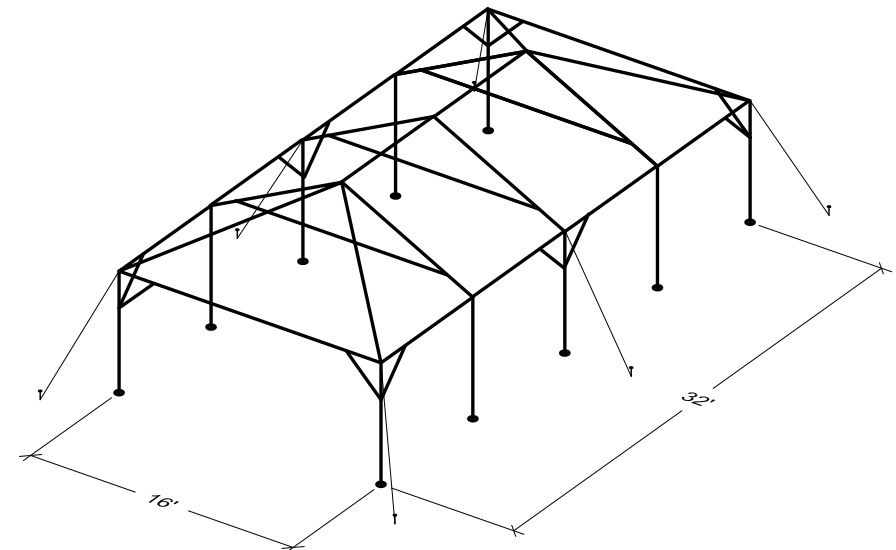
PLAN



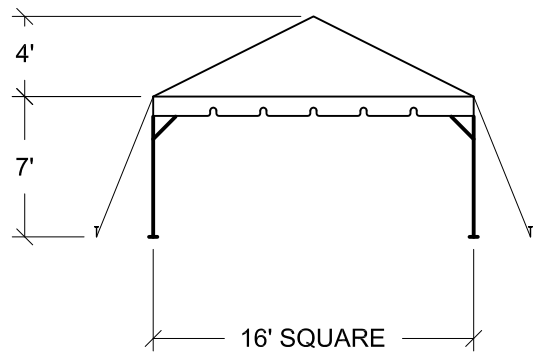
PLAN



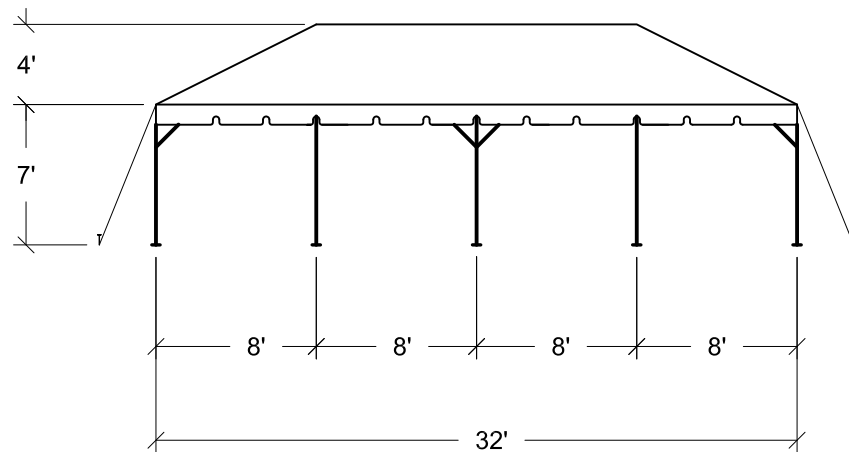
TOP



ISOMETRIC



SIDE ELEVATION



SIDE ELEVATION

NOTE: UPRIGHTS MAY BE ADJUSTABLE FROM 7'-0" TO 10'-0".

REVISIONS			ANCHOR INDUSTRIES INC.		
EC/PR NO.	DATE	BY	BROCHURE DRAWING 16' SQ. & 16' x 32' FIESTA FRAME TENT		
1	02-14-08	DMK			
2	07-07-08	DMK	DRAWING NO.		
DRAWN BY:		DMK	CHECKED BY:		06-253-2-2
APPROVED BY:			EC/PR NO.	DATE:	
				08-18-06	