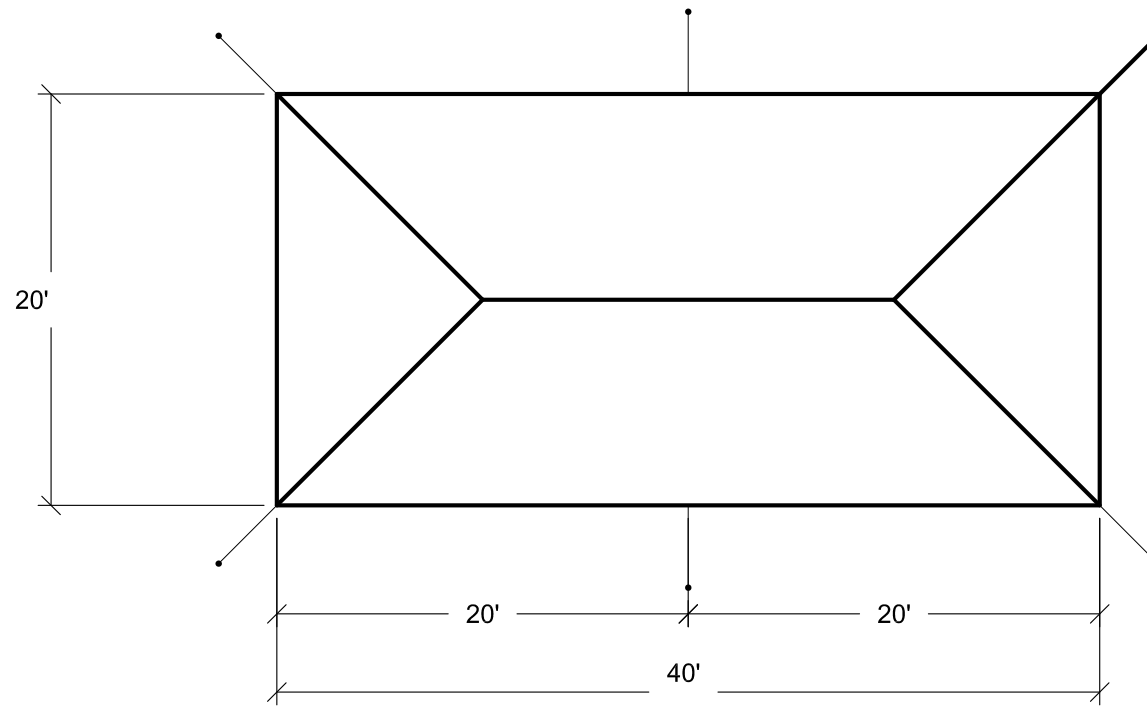
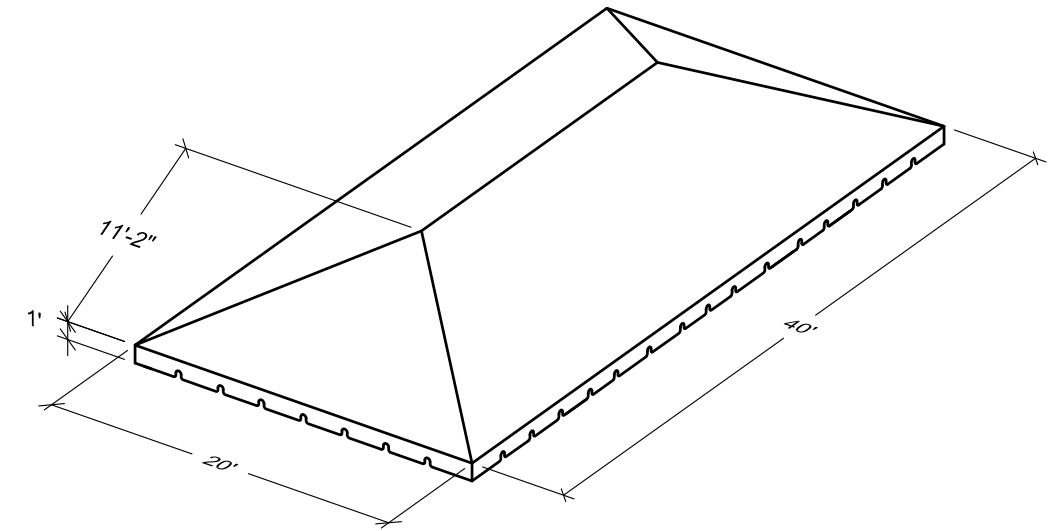


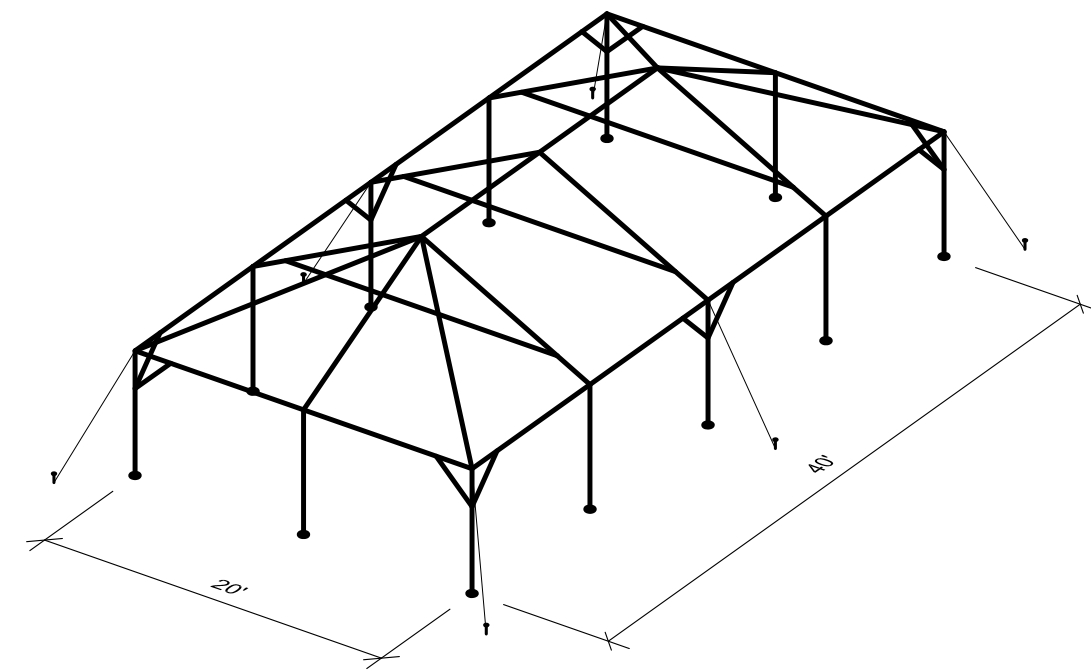
PLAN



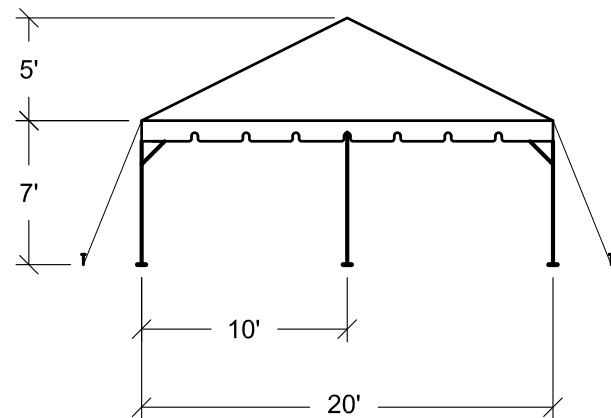
PLAN



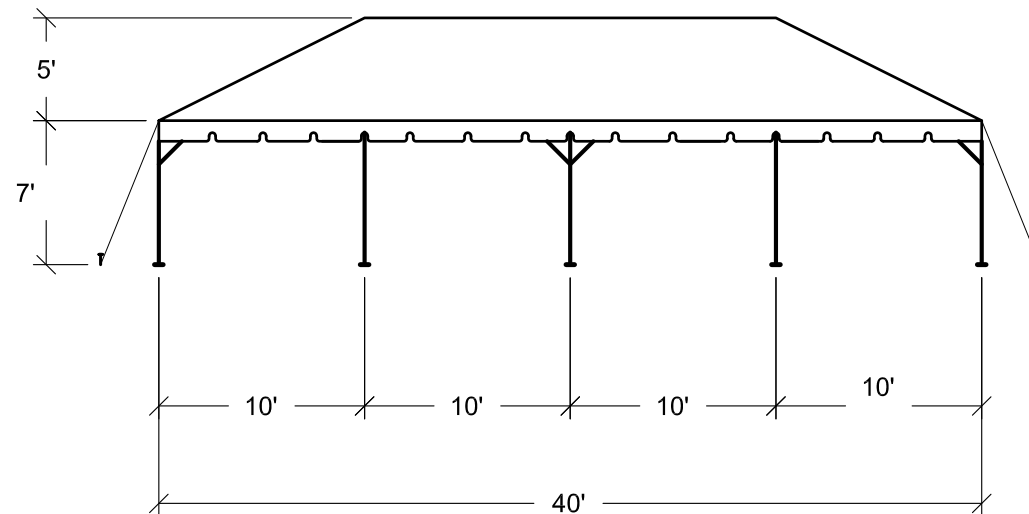
TOP



ISOMETRIC



SIDE ELEVATION



SIDE ELEVATION

**NOTE:** UPRIGHTS MAY BE ADJUSTABLE FROM 7'-0" TO 10'-0".

REVISIONS			ANCHOR INDUSTRIES INC.		
EC/PR NO.	DATE	BY	<b>BROCHURE DRAWING</b> 20' SQ. & 20' x 40' FIESTA FRAME TENT		
1	02-15-08	DMK			
2	07-08-08	DMK	DRAWN BY:	CHECKED BY:	DRAWING NO.
			DMK		06-253-2-3-1
			APPROVED BY:	EC/PR NO.	
					08-18-06