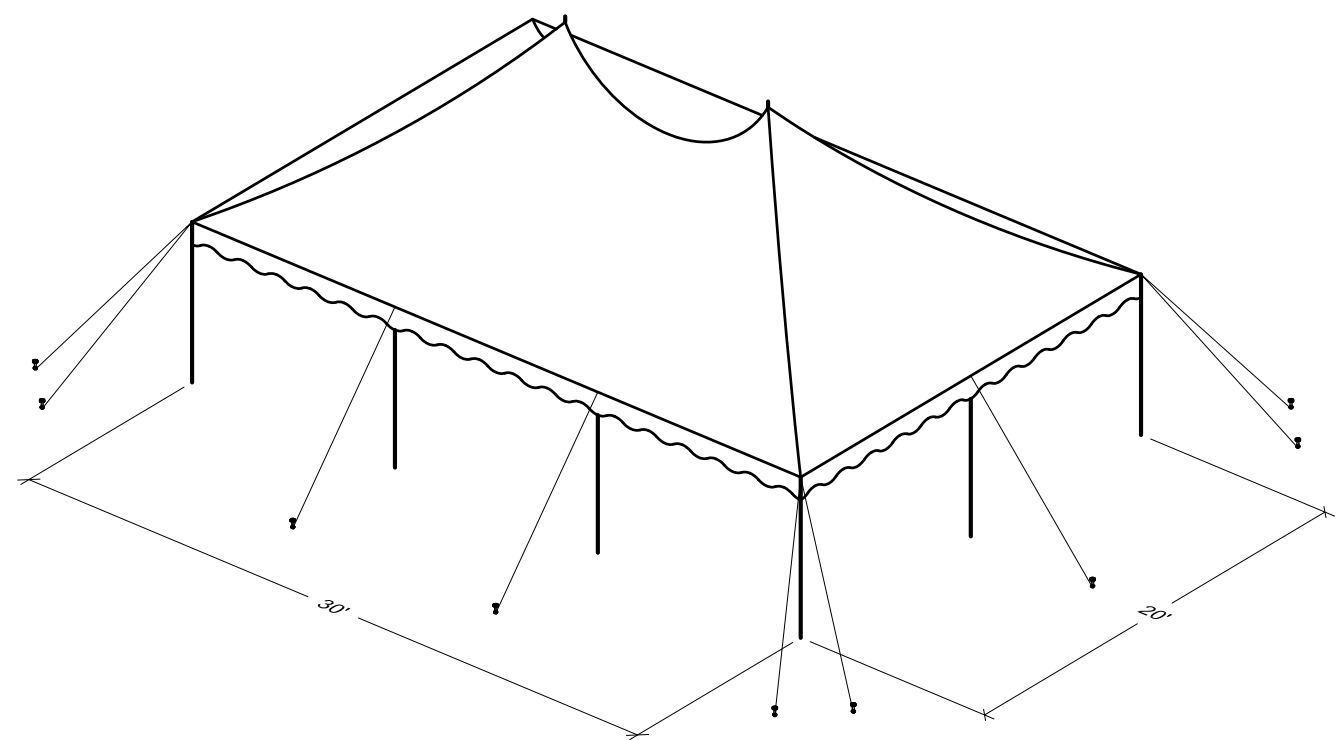
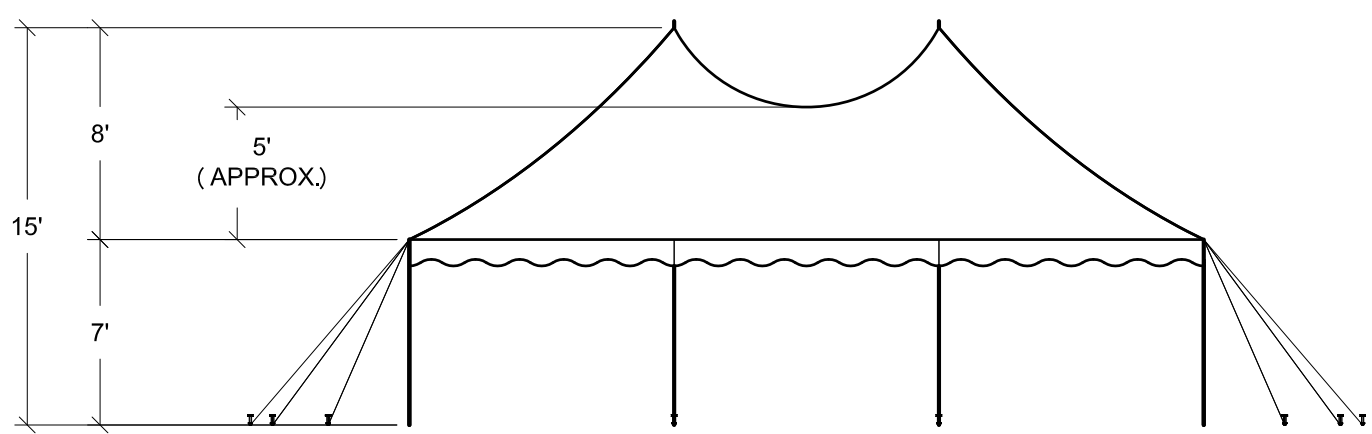


PLAN



ISOMETRIC



SIDE ELEVATION

REVISIONS			ANCHOR INDUSTRIES INC.		
EC/PR NO.	DATE	BY	BROCHURE DRAWING		
			20' x 30' ONE-PIECE CENTURY MATE		
			DRAWN BY: DMK	CHECKED BY:	DRAWING NO.
			APPROVED BY:	EC/PR NO.	DATE: 07-28-08
					08-401-1-2