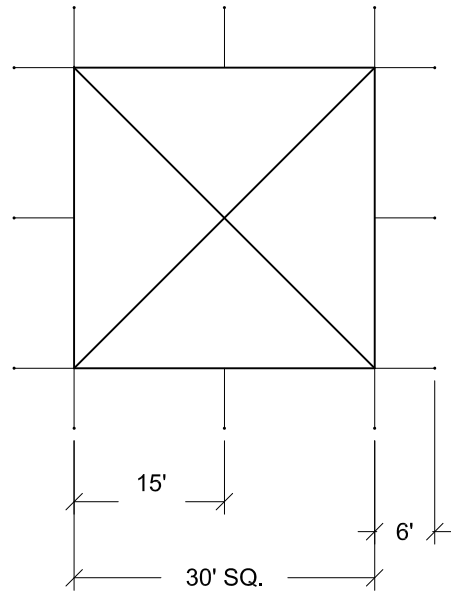
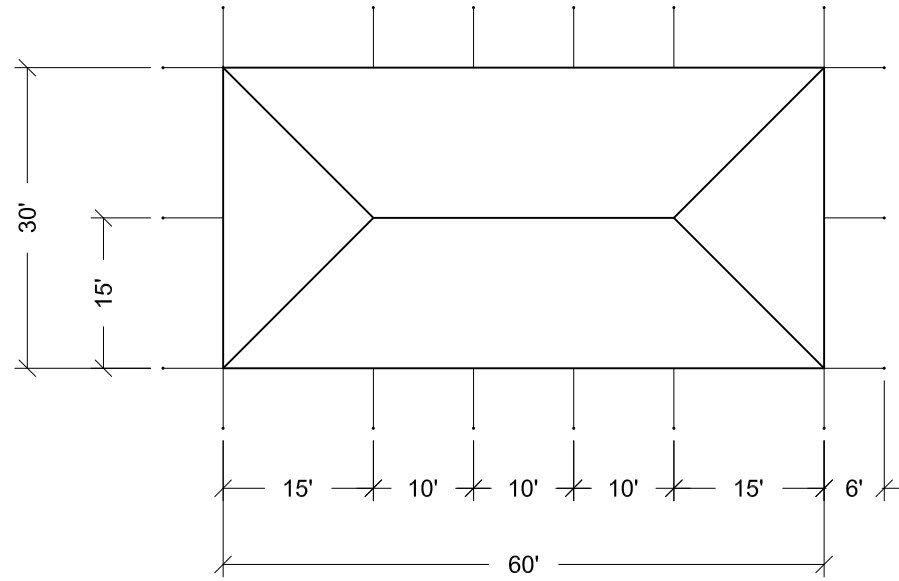


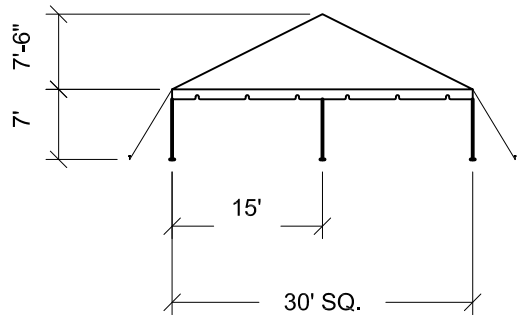
J:\Brochure Drawings\Fiesta\06-253-2-5.dwg, Model, 7/1/2008 2:29:38 PM, dkraus, 1:230



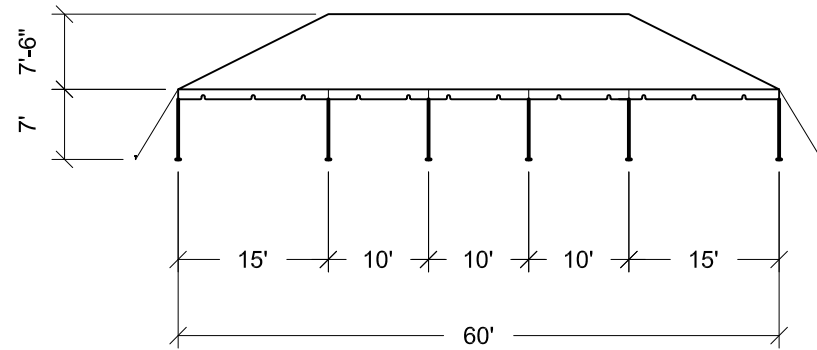
PLAN



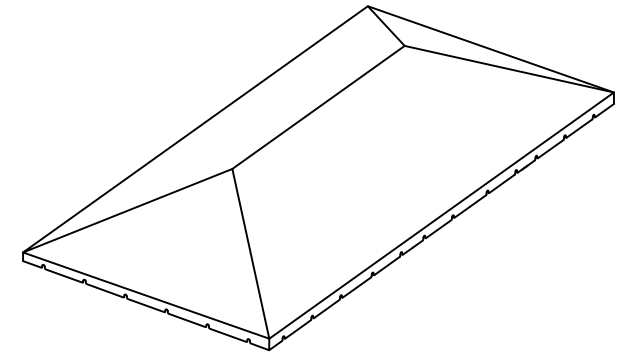
PLAN



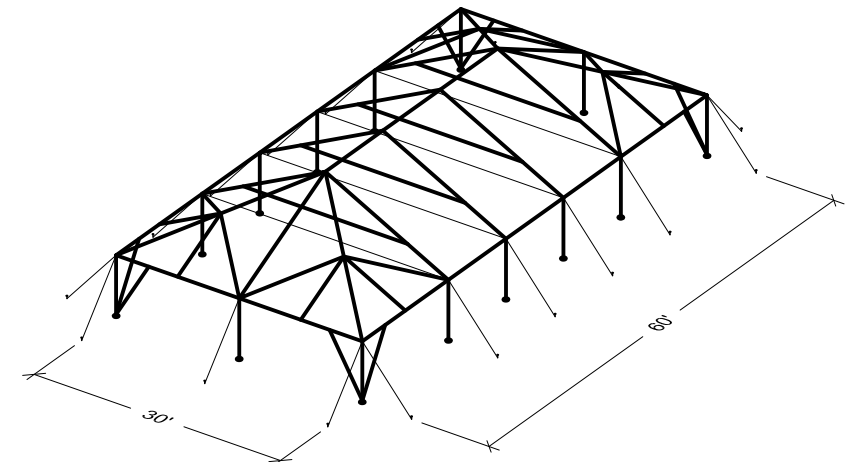
SIDE ELEVATION



SIDE ELEVATION



TOP



ISOMETRIC

NOTE: UPRIGHTS MAY BE ADJUSTABLE FROM 7'-0" TO 10'-0".

REVISIONS			ANCHOR INDUSTRIES INC.		
EC/PR NO.	DATE	BY	BROCHURE DRAWING 30' WIDE FIESTA PLUS II FRAME TENT		
1	02-18-08	DMK			
2	07-01-08	DMK	DRAWING NO.		
DRAWN BY: DMK			CHECKED BY:		06-253-2-5
APPROVED BY:			EC/PR NO.	DATE: 08-18-06	