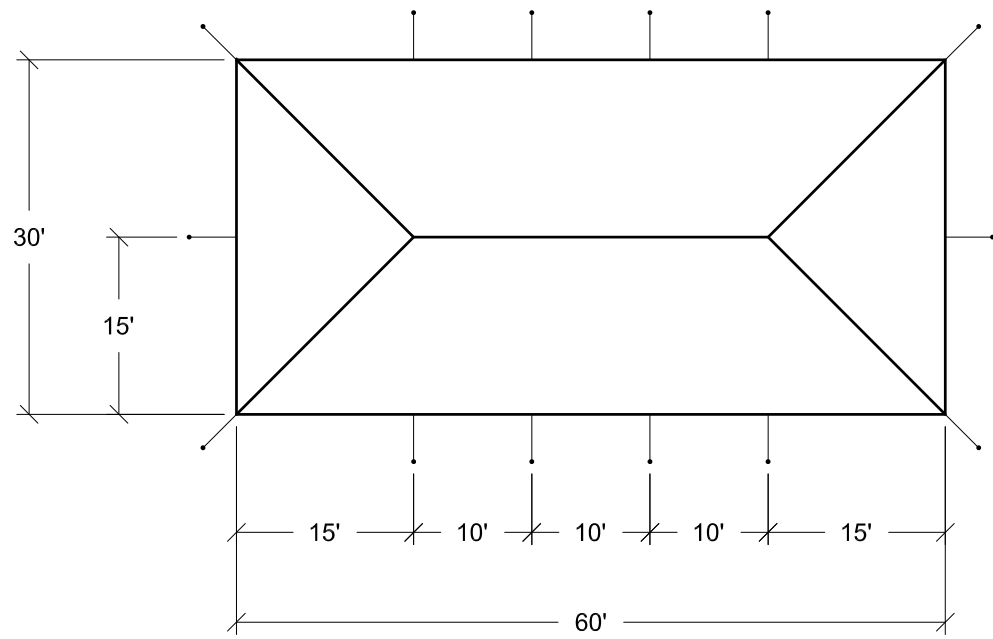
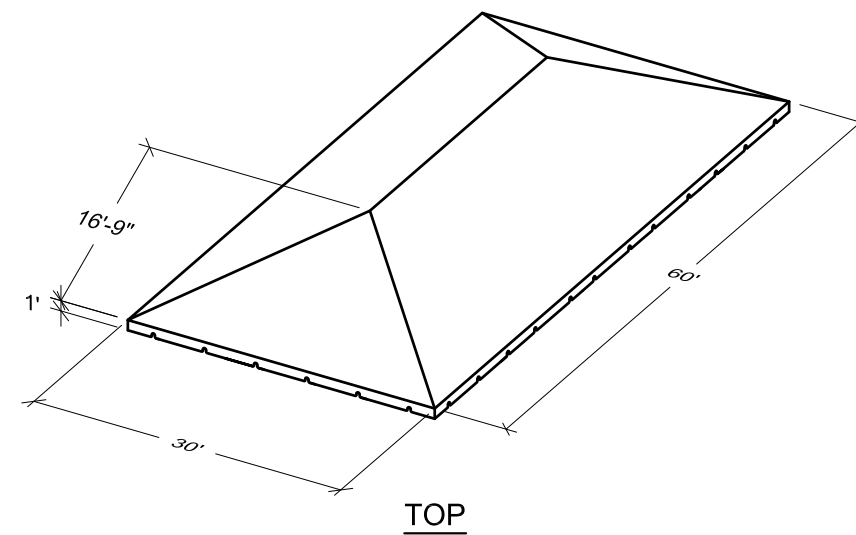


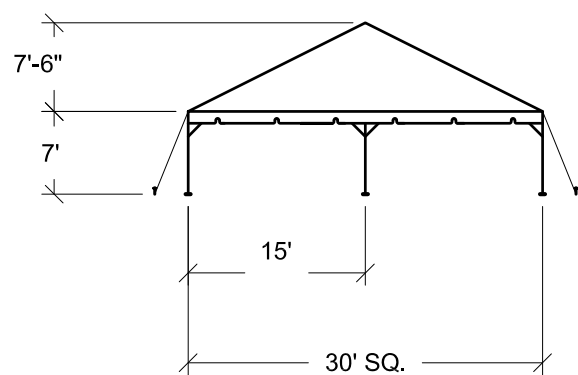
PLAN



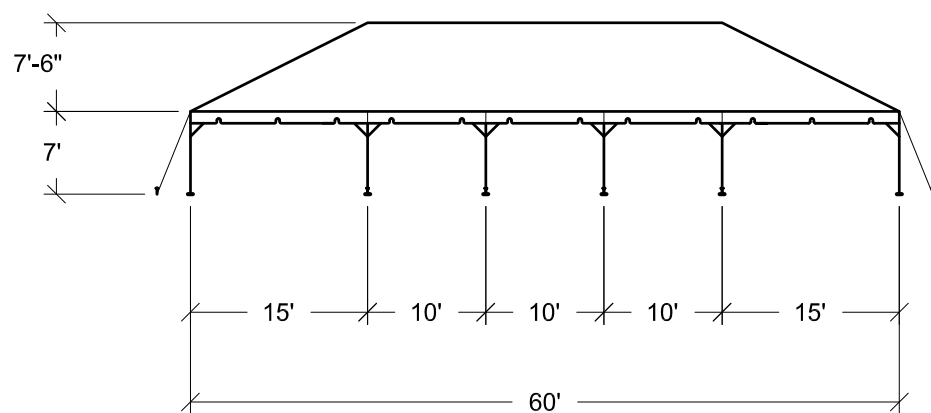
PLAN



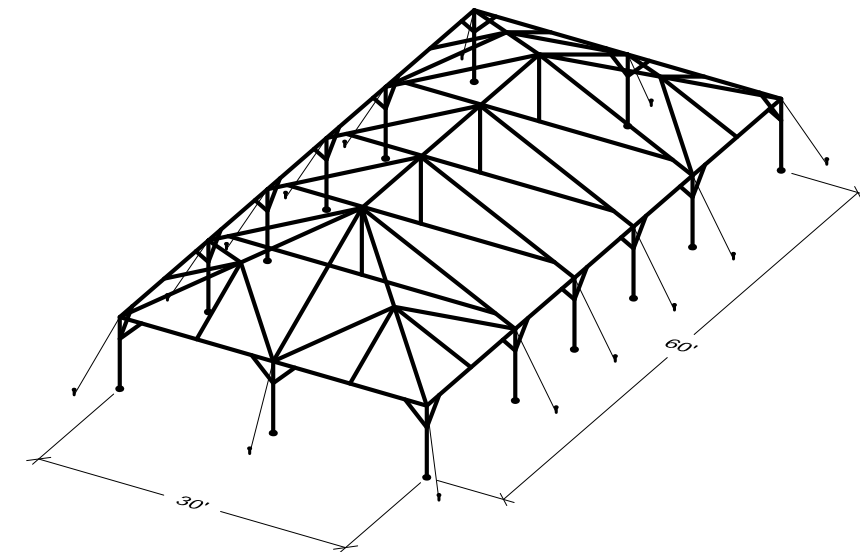
TOP



SIDE ELEVATION



SIDE ELEVATION



ISOMETRIC

NOTE: UPRIGHTS MAY BE ADJUSTABLE FROM 7'-0" TO 10'-0".

| REVISIONS | | | ANCHOR INDUSTRIES INC. | | |
|-----------|----------|-----|---|--|----------------------------------|
| EC/PR NO. | DATE | BY | BROCHURE DRAWING 30' SQ. & 30' x 60' FIESTA FRAME TENT | | |
| 1 | 02-18-08 | DMK | | | |
| 2 | 07-07-08 | DMK | DRAWN BY: DMK | | CHECKED BY: |
| | | | APPROVED BY: | | DATE: 08-18-06 |
| | | | | | DRAWING NO. 06-253-2-4 |