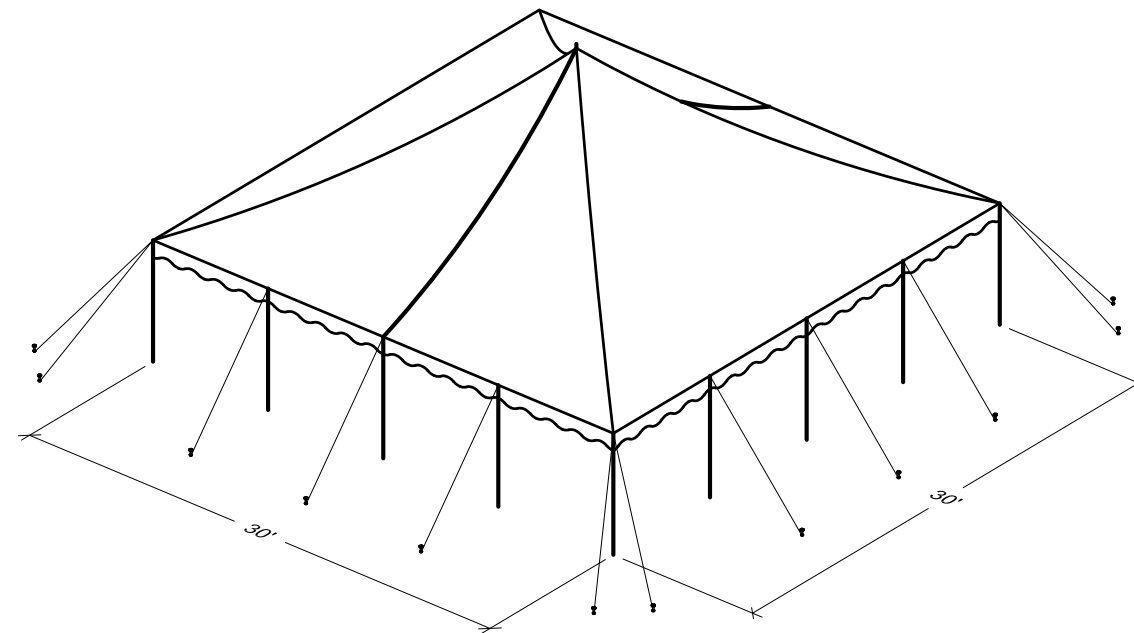
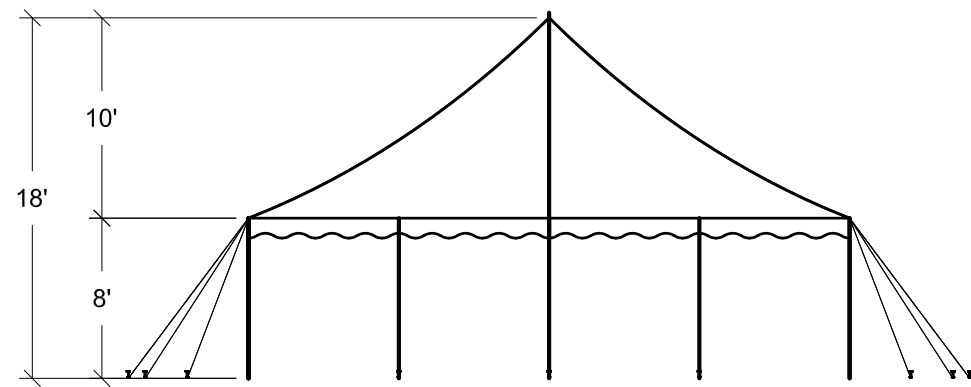


PLAN
(2) ENDS



ISOMETRIC



SIDE ELEVATION

REVISIONS		
EC/PR NO.	DATE	BY

ANCHOR INDUSTRIES INC.

BROCHURE DRAWING
30' x 30' EXPANDABLE CENTURY MATE

DRAWN BY: DMK	CHECKED BY:	DRAWING NO.
APPROVED BY:	EC/PR NO.	DATE: 07-28-08
		08-401-2-1