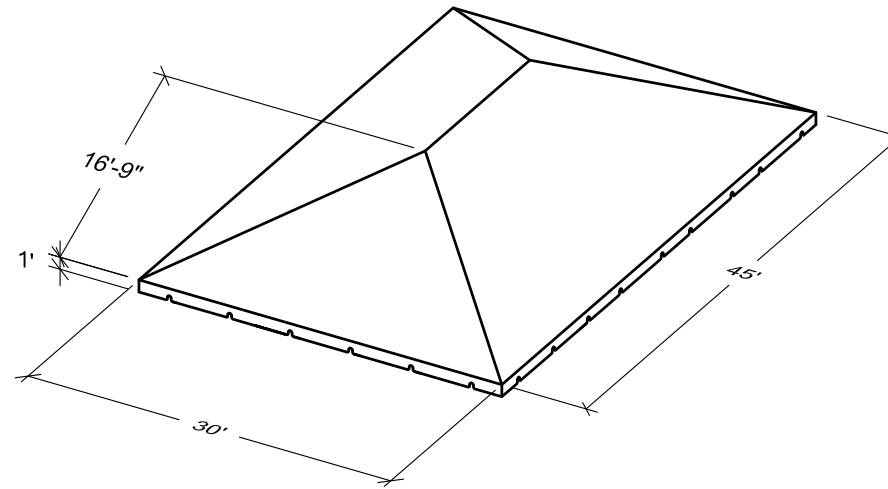
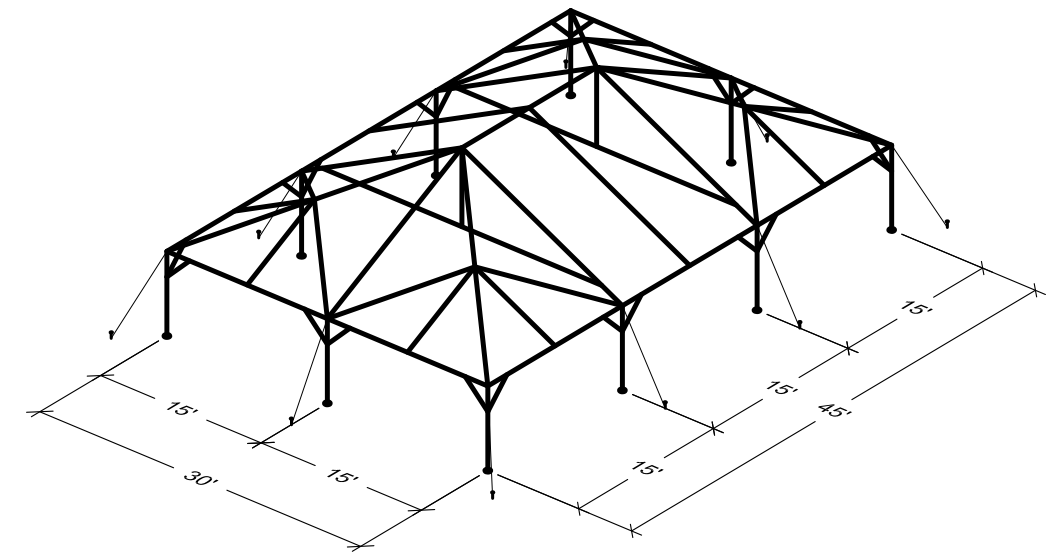


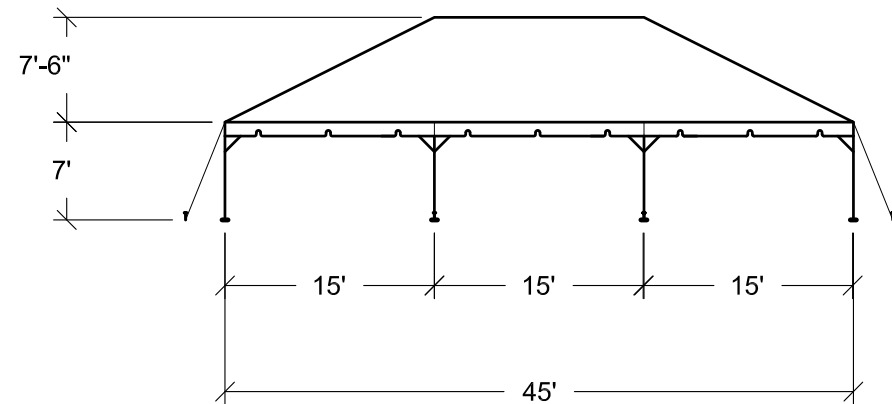
PLAN



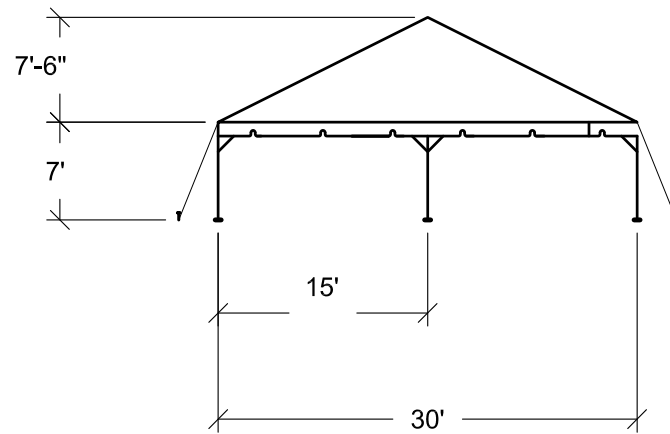
TOP



ISOMETRIC



SIDE ELEVATION



END ELEVATION

NOTE: UPRIGHTS MAY BE ADJUSTABLE FROM 7'-0" TO 10'-0".

| REVISIONS | | | ANCHOR INDUSTRIES INC. | | |
|-----------|------|----|-----------------------------|-------------|-------------------|
| EC/PR NO. | DATE | BY | BROCHURE DRAWING | | |
| | | | 30' x 45' FIESTA FRAME TENT | | |
| | | | DRAWN BY: DMK | CHECKED BY: | DRAWING NO. |
| | | | APPROVED BY: | EC/PR NO. | DATE: 07-23-14 |
| | | | | | 06-253-2-7 |