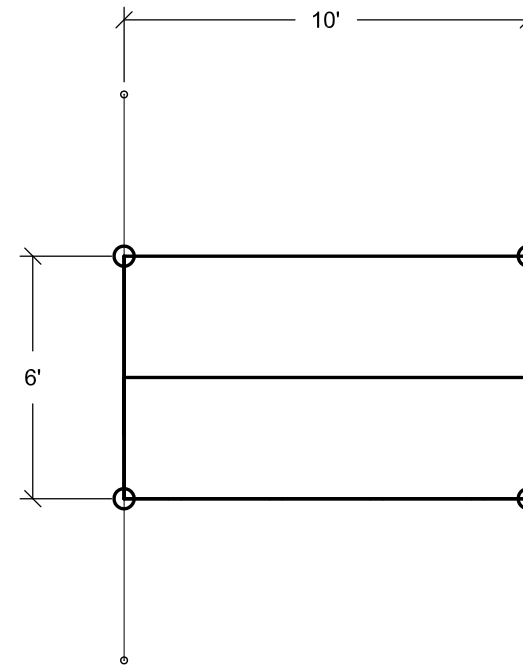
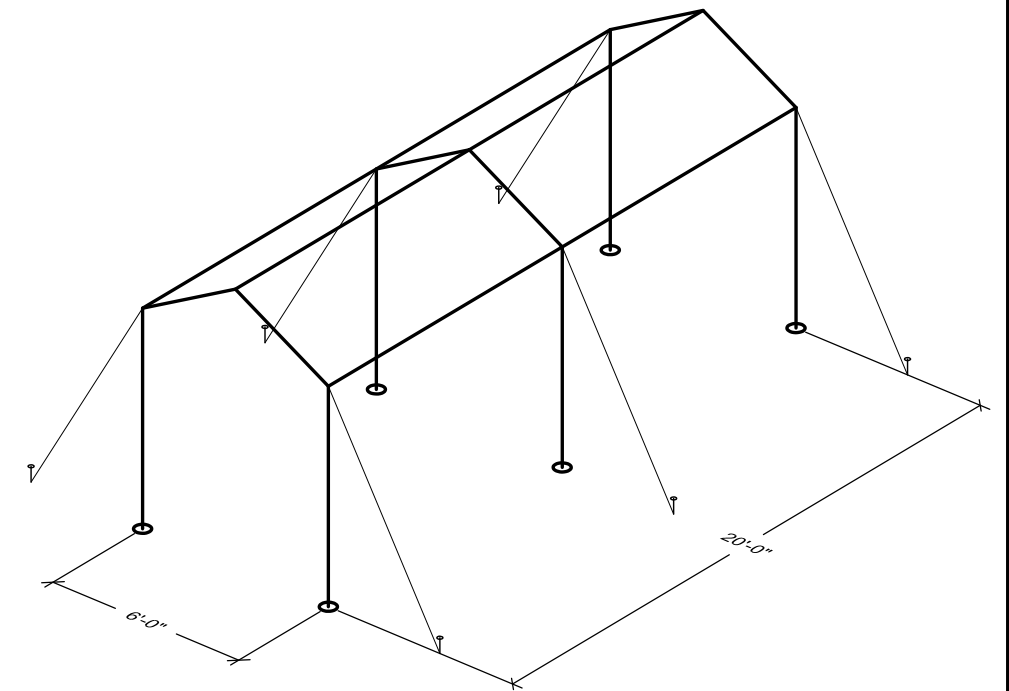


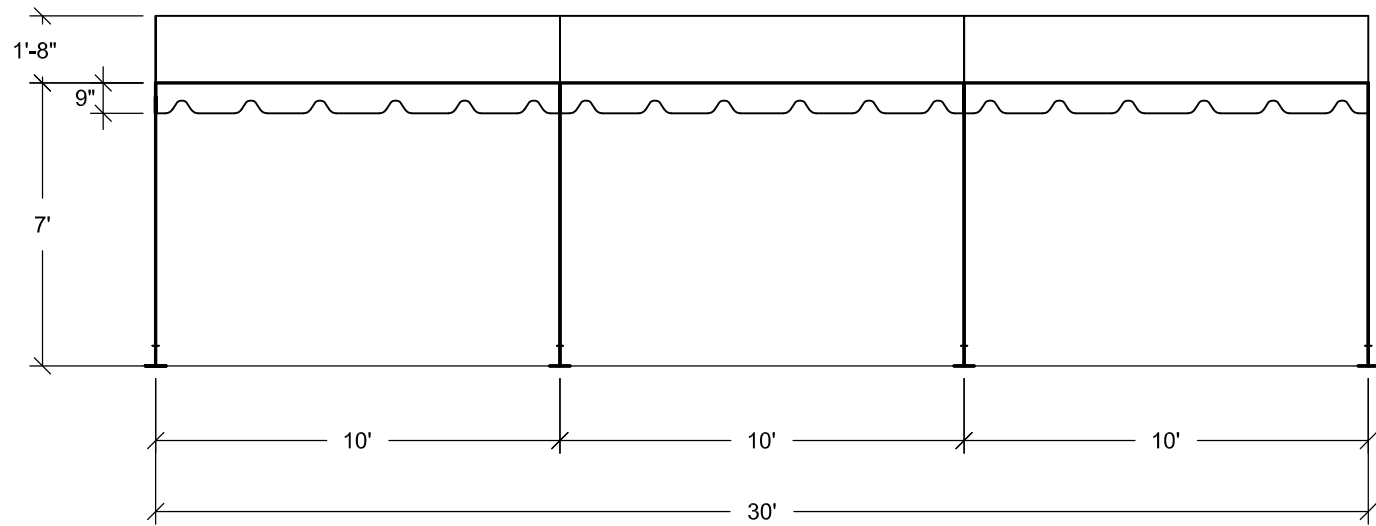
PLAN
180 SQ. FT. 3



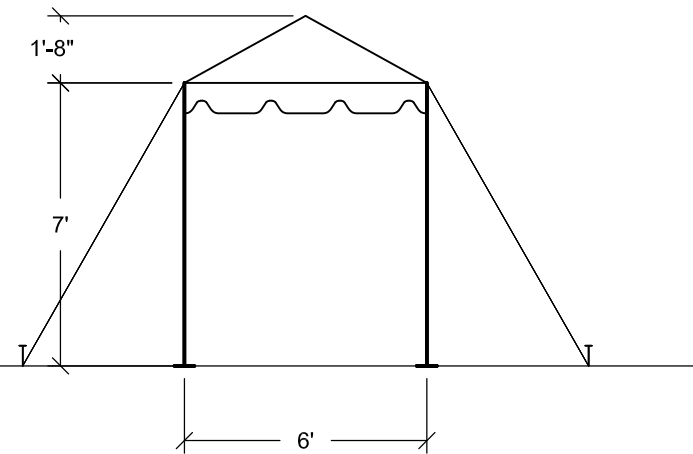
PLAN
60 SQ. FT. 3



ISOMETRIC



SIDE ELEVATION



END ELEVATION

NOTES:

1. SEE THE I.F.A.I. STAKING GUIDE ON OUR WEBSITE (WWW.ANCHORINC.COM) FOR SOIL IDENTIFICATION & PULL-OUT CAPACITY OF STAKES. 3
2. UPRIGHTS MAY BE ADJUSTABLE FROM 7'-0" TO 10'-0".



Caution:

Staking or anchoring is the responsibility of the installer. Soil conditions will dictate the number of stakes or anchors required. **Do not use this drawing to determine staking requirements.** Contact Anchor for Engineering loading data that can be used in conjunction with IFAI methodologies to determine site specific anchoring requirements.

REVISIONS

EC/PR NO.	DATE	BY
1	07-07-2008	DMK
2	10-27-2014	DMK
3	03-01-2016	DMK

ANCHOR INDUSTRIES INC.

**BROCHURE DRAWING
6' WIDE FIESTA MARQUEE**

DRAWN BY: DMK		CHECKED BY:		DRAWING NO.	
APPROVED BY:		EC/PR NO.	DATE: 02-15-08	06-253-2-8-1	