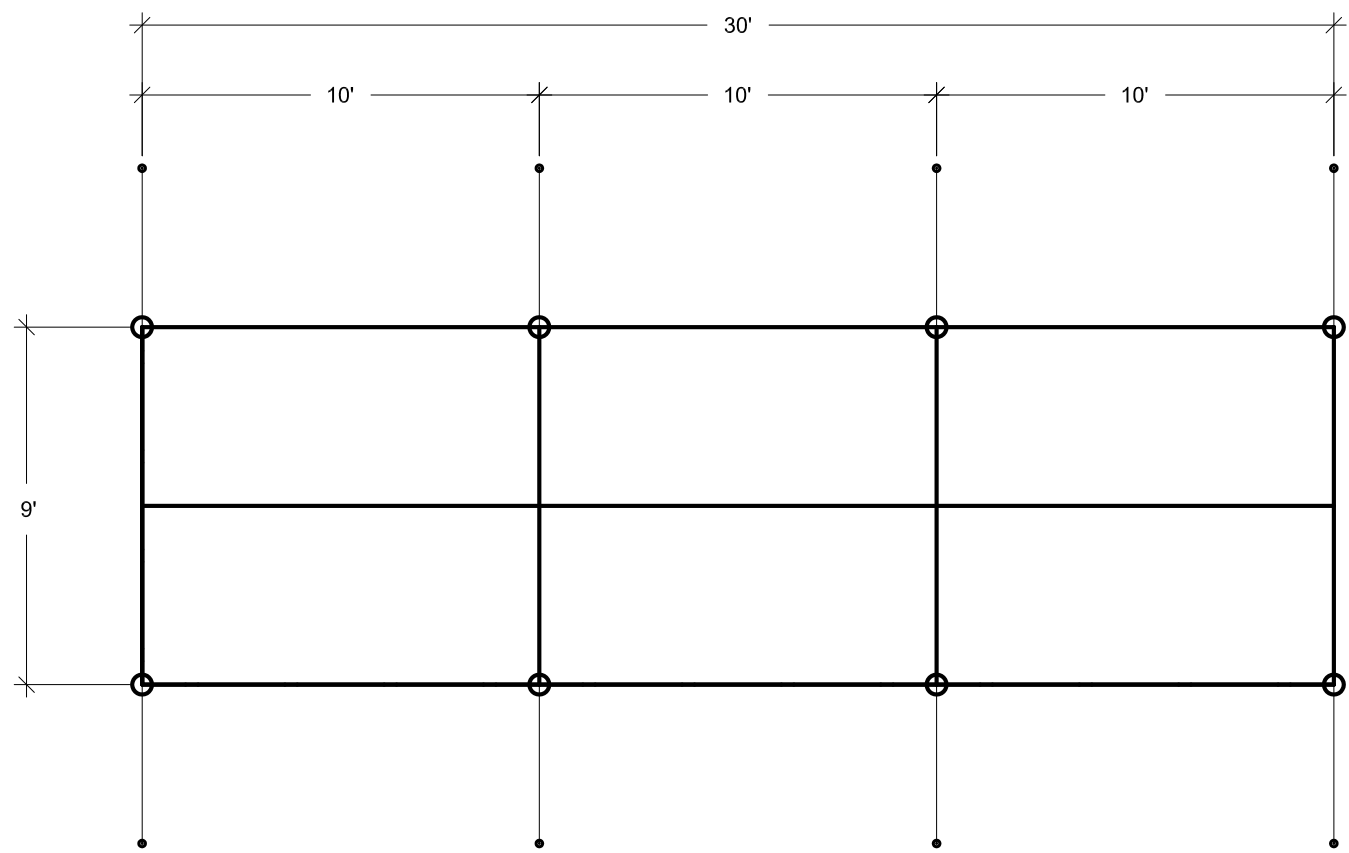
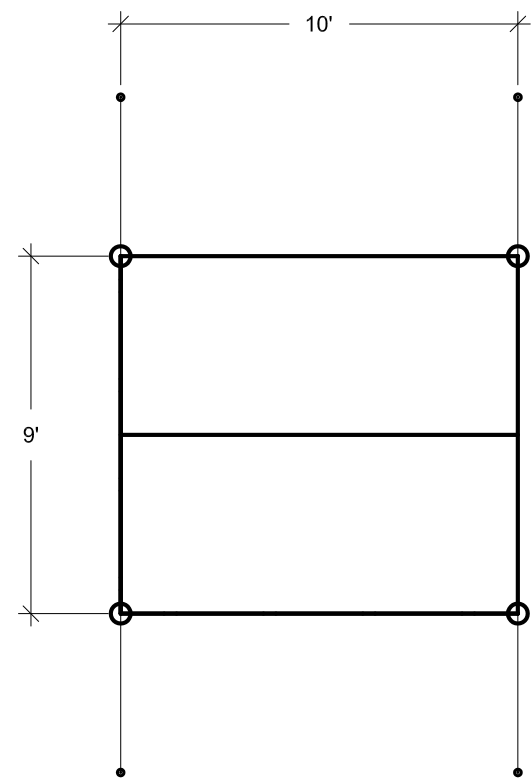


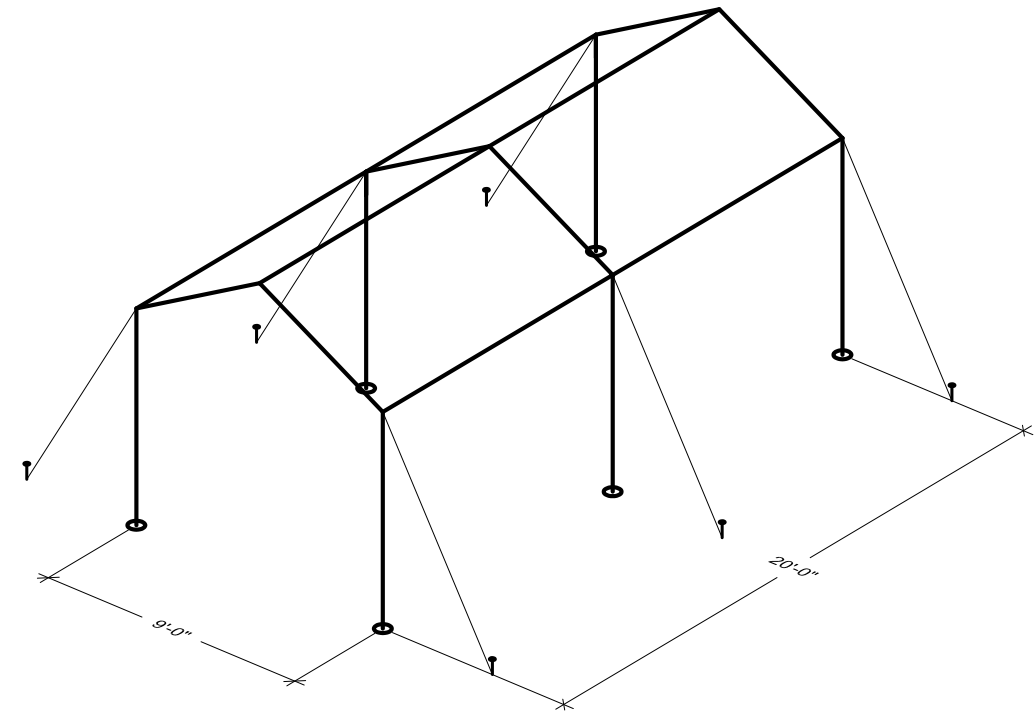
J:\Brochure Drawings\06-253-2 Fiesta\06-253-2-8-2.dwg, Model, 7/7/2008 4:43:54 PM, dkraus, 1:58



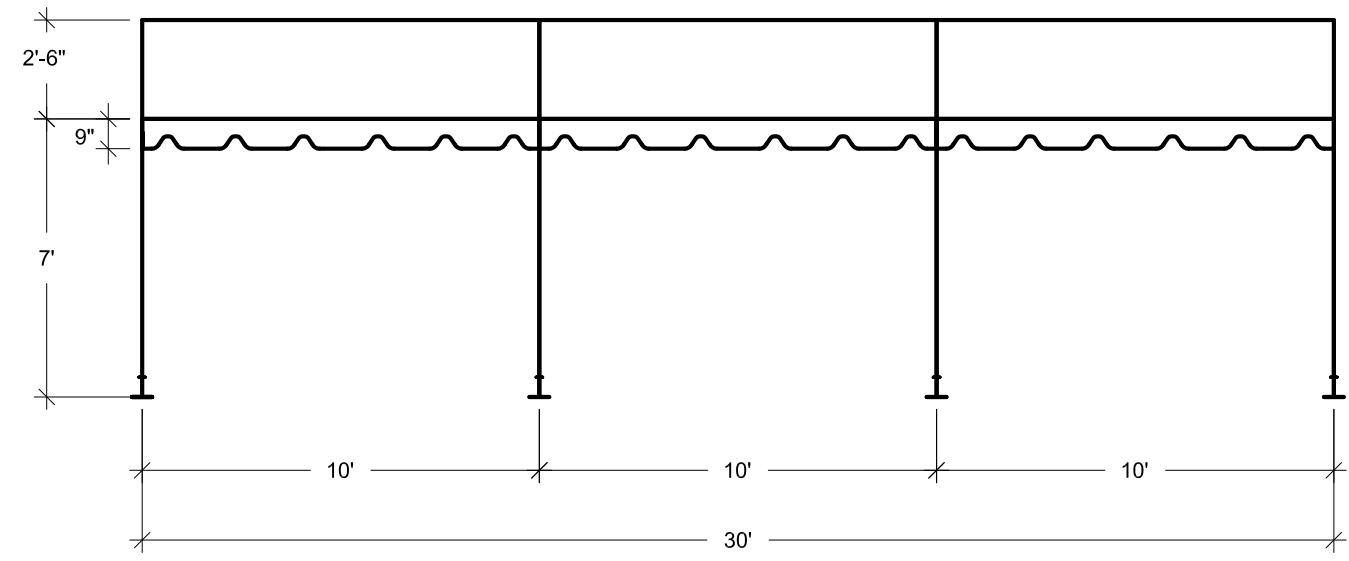
PLAN



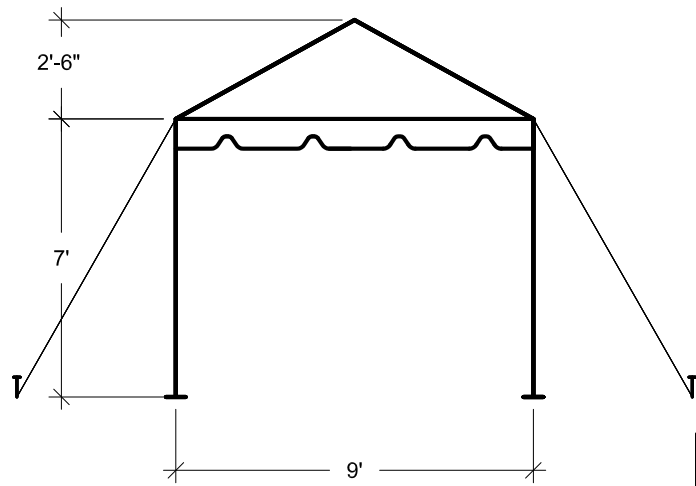
END ELEVATION



ISOMETRIC



SIDE ELEVATION



**NOTE:** UPRIGHTS MAY BE ADJUSTABLE FROM 7'-0" TO 10'-0".

| REVISIONS |          |     |
|-----------|----------|-----|
| EC/PR NO. | DATE     | BY  |
| 1         | 02-15-08 | DMK |
| 1         | 07-07-08 | DMK |
|           |          |     |
|           |          |     |
|           |          |     |

|  |             |                     |
|--|-------------|---------------------|
| <b>ANCHOR INDUSTRIES INC.</b>                      |             |                     |
| <b>BROCHURE DRAWING<br/>9' WIDE FIESTA MARQUEE</b> |             |                     |
| DRAWN BY:<br>DMK                                   | CHECKED BY: | DRAWING NO.         |
| APPROVED BY:                                       | EC/PR NO.   | DATE:<br>08-18-06   |
|  |             | <b>06-253-2-8-2</b> |