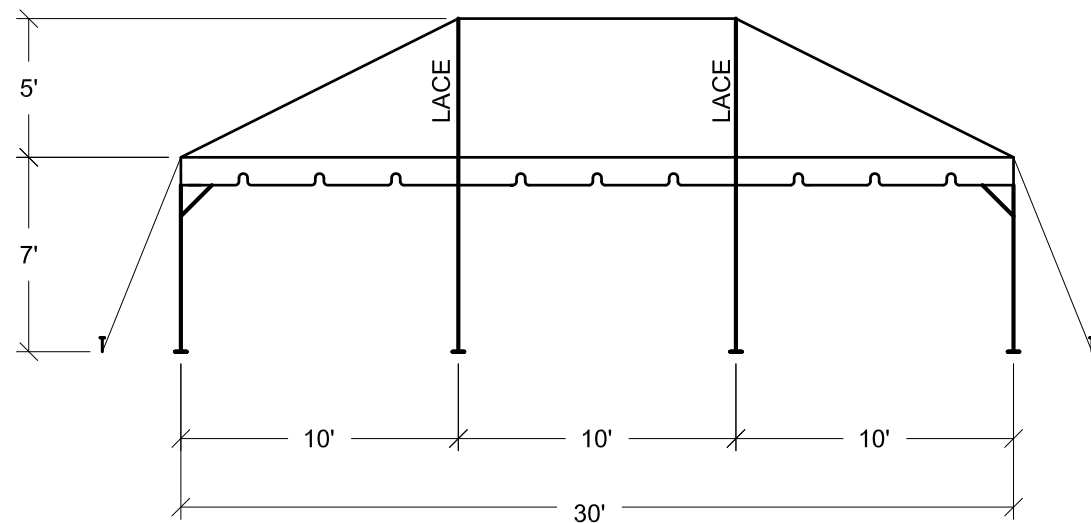
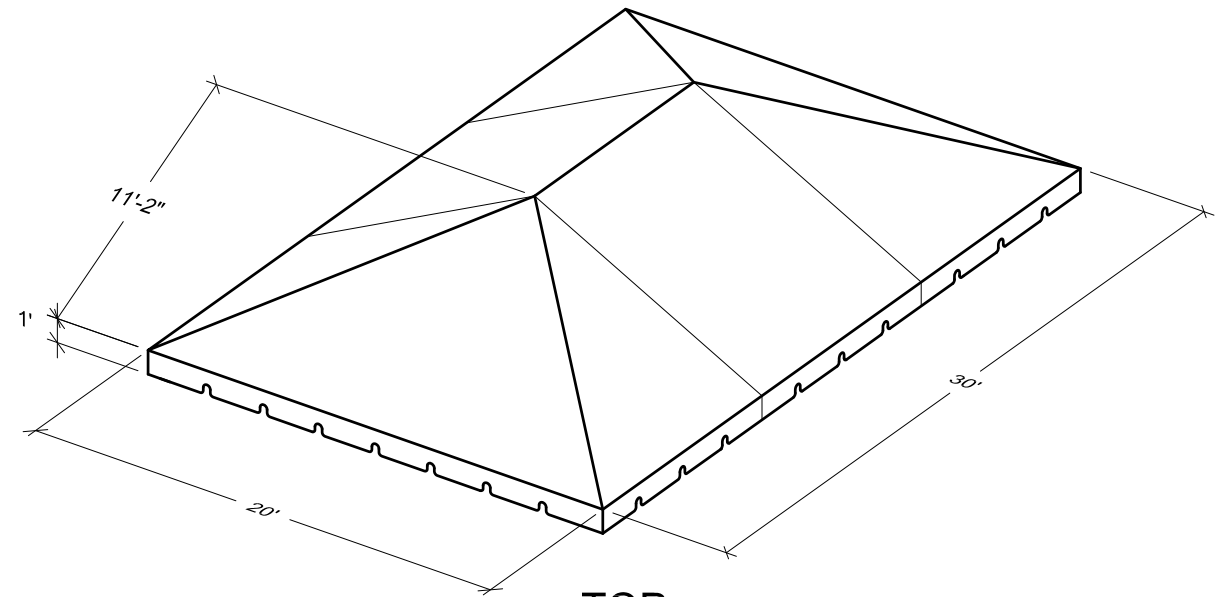


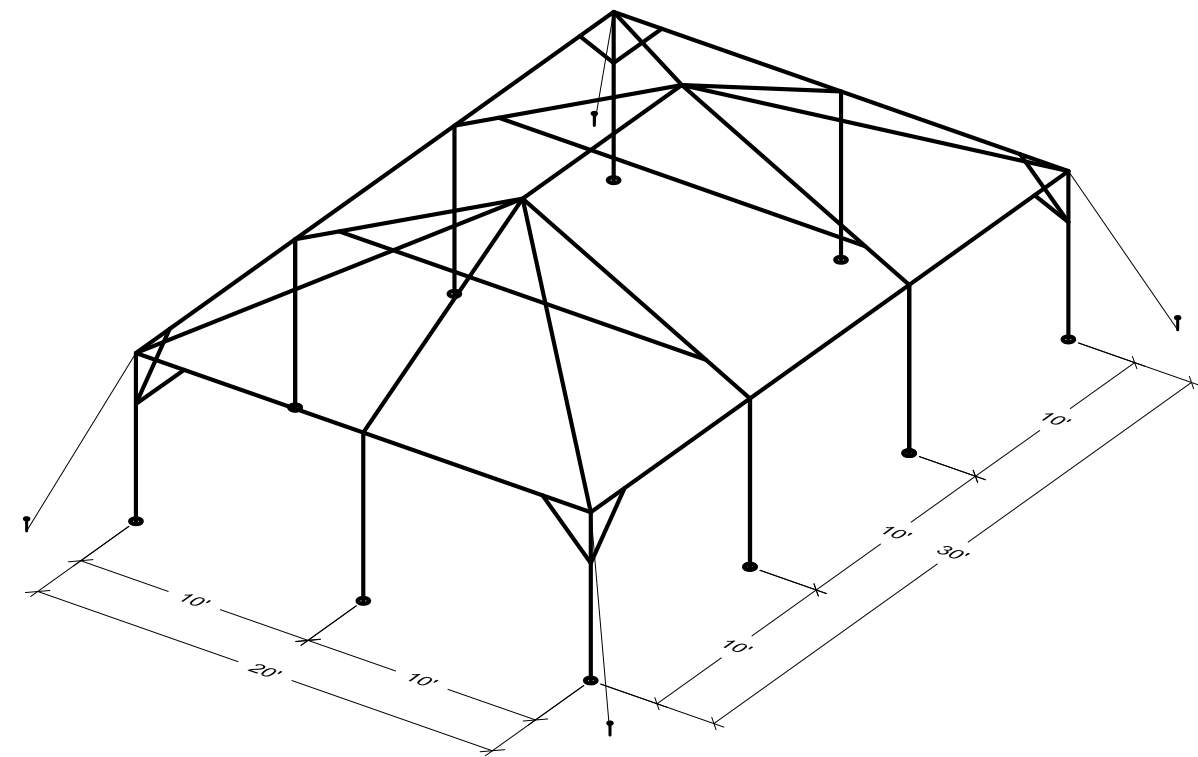
PLAN



SIDE ELEVATION



TOP



ISOMETRIC

NOTE: UPRIGHTS MAY BE ADJUSTABLE FROM 7'-0" TO 10'-0".

REVISIONS			ANCHOR INDUSTRIES INC.		
EC/PR NO.	DATE	BY	BROCHURE DRAWING 20' x 30' FIESTA FRAME TENT		
			DRAWN BY: DMK	CHECKED BY:	DRAWING NO.
			APPROVED BY:	EC/PR NO.	DATE: 07-23-08
					08-407-4