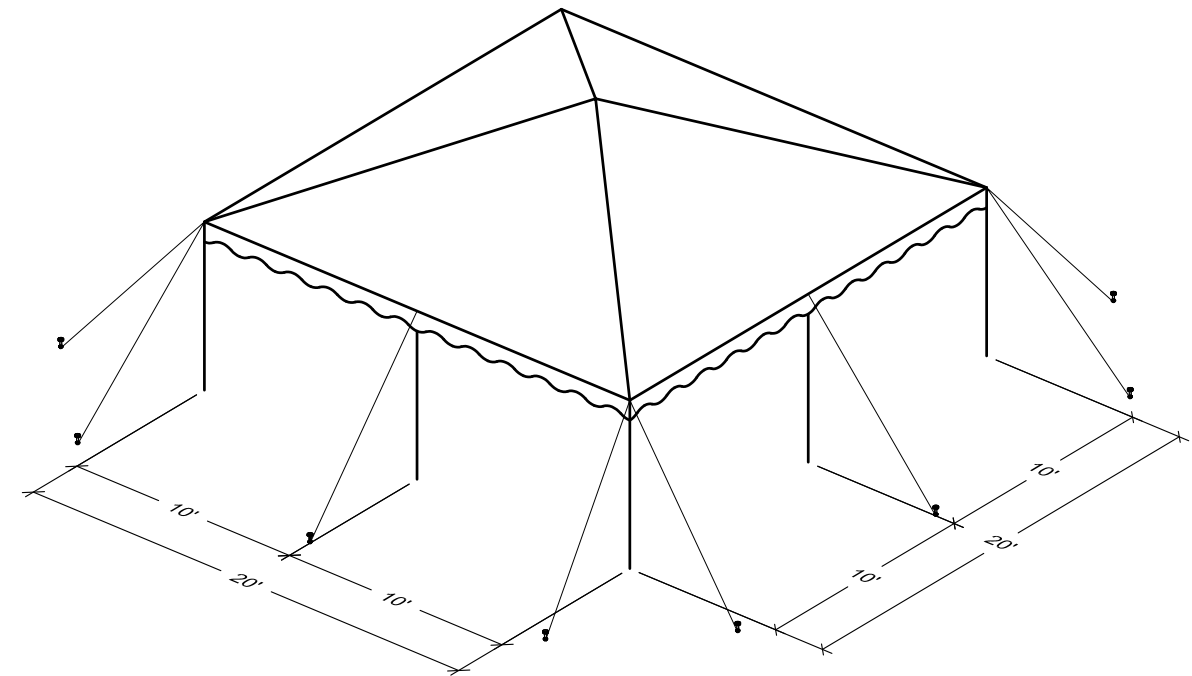
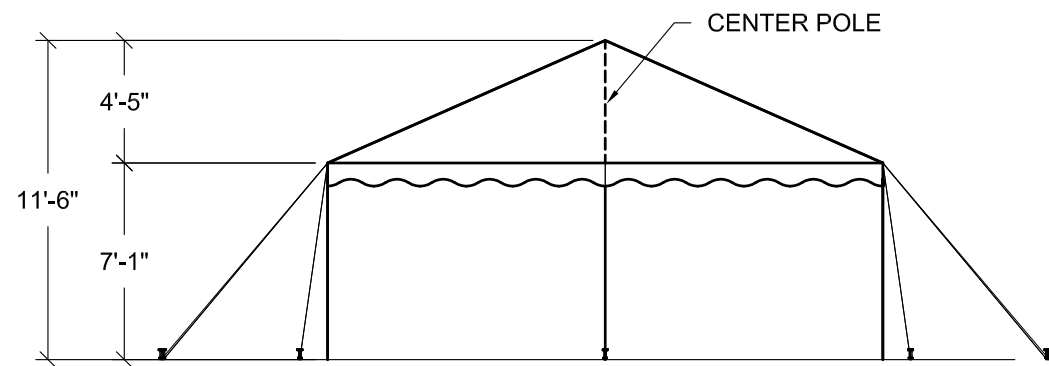


PLAN



ISOMETRIC



SIDE ELEVATION

| REVISIONS | | | ANCHOR INDUSTRIES INC. | | |
|-----------|----------|-----|--|-------------|-------------------|
| EC/PR NO. | DATE | BY | BROCHURE DRAWING 20' SQ. ALL PURPOSE CANOPY | | |
| 1 | 05-11-11 | DMK | DRAWN BY: DMK | CHECKED BY: | DRAWING NO. |
| | | | APPROVED BY: | EC/PR NO. | DATE: 01-30-09 |
| | | | | | 09-130-2 |