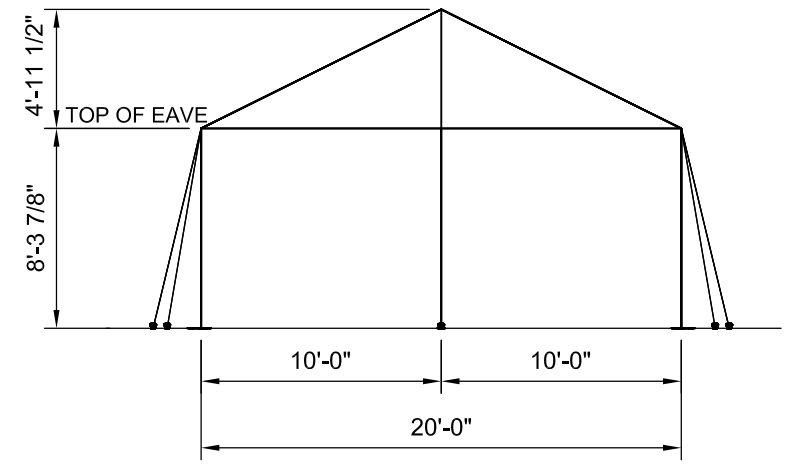
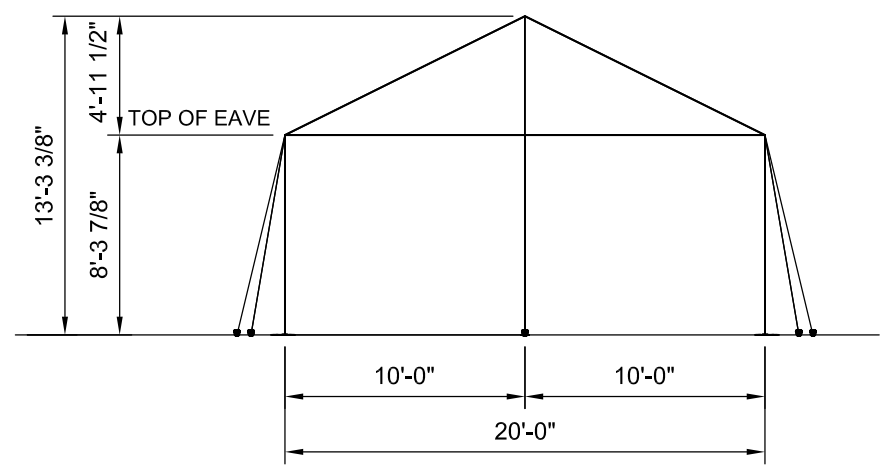


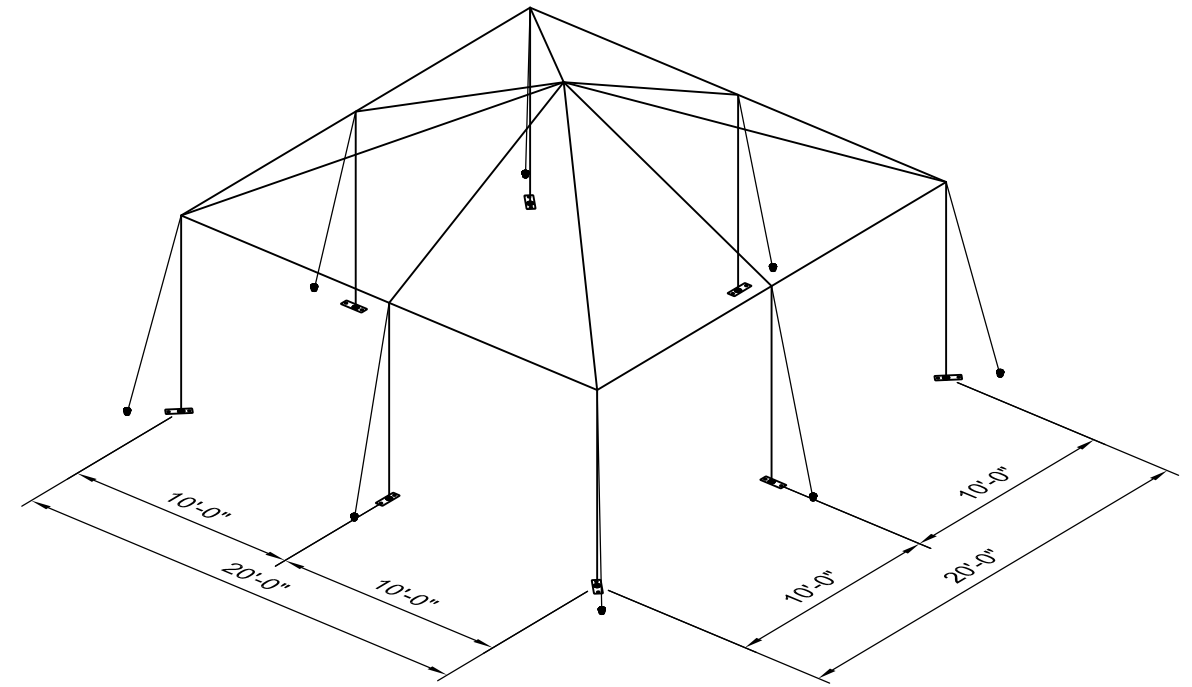
**PLAN VIEW**



**END VIEW**



**SIDE VIEW**



**3D VIEW**

**NOTES:**

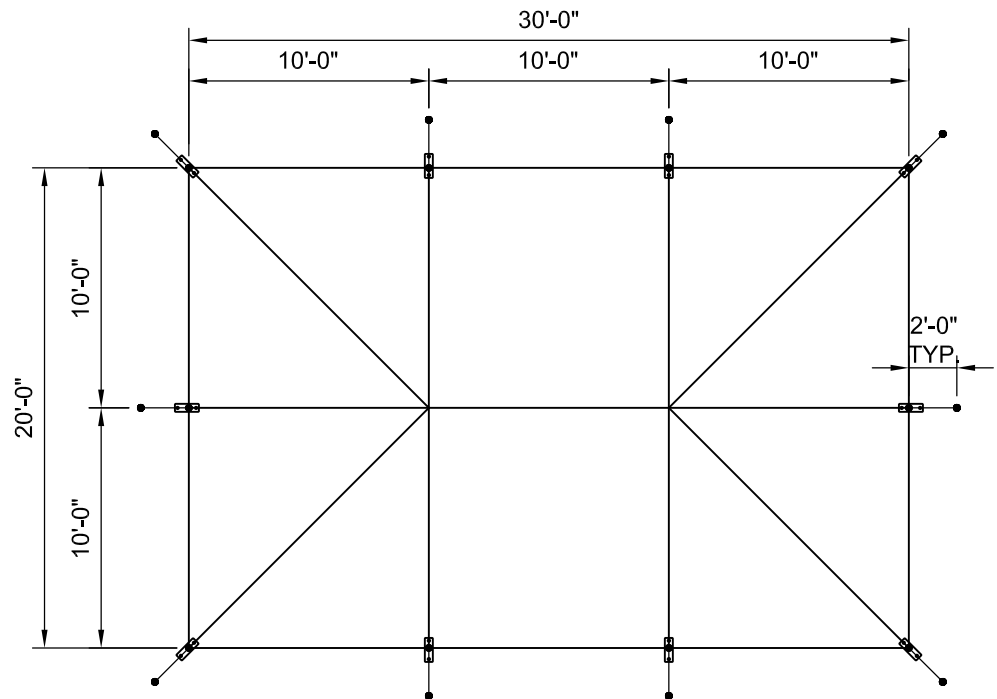
- SEE THE I.F.A.I. STAKING GUIDE ON OUR WEBSITE (WWW.ANCHORINC.COM) FOR SOIL IDENTIFICATION & PULL-OUT CAPACITY OF STAKES.

F3 FRAME TENT  
 20' x 20' TENT - 400 SQ. FT.  
 • (8) 1" WEB GUYS WITH RATCHETS  
 • (16) 1" x 30" STAKES  
 \* SEE NOTES

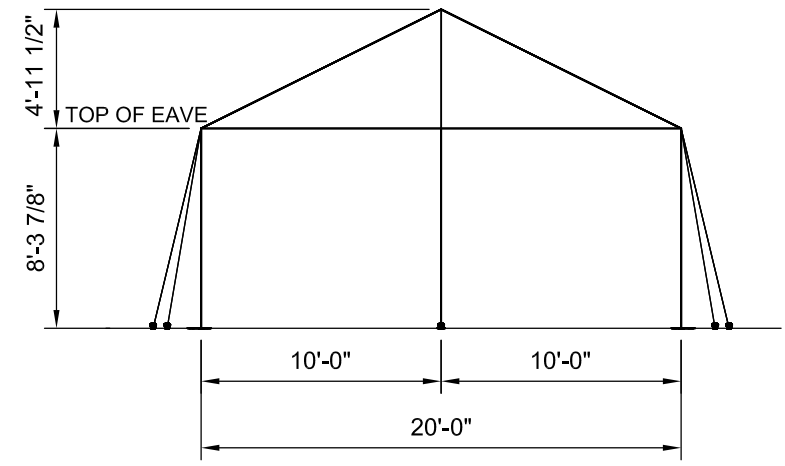
**Caution:**  
 Staking or anchoring is the responsibility of the installer. Soil conditions will dictate the number of stakes or anchors required. **Do not use this drawing to determine staking requirements.** Contact Anchor for Engineering loading data that can be used in conjunction with IFAI methodologies to determine site specific anchoring requirements.

ITEM DESCRIPTION		ITEM NO.
		<small>All data and information contained in or disclosed by this document is confidential and proprietary information of Anchor Industries, Inc. and all rights therein are expressly reserved. By accepting this material the recipient agrees that this material and the information contained therein is held in confidence and in trust and will not be used, copied, reproduced in the whole or in part, nor its contents revealed in any manner to others except to meet the specific purpose for which it was delivered.</small>
<b>F3 BROCHURE DRAWING</b>		
<b>20' x 20' HIP END FRAME</b>		
DRAWN BY:	DMK	CHECKED BY:
APPROVED BY:	EC#	DATE: 06-24-2015
DRAWING NO.		15-284-1-1

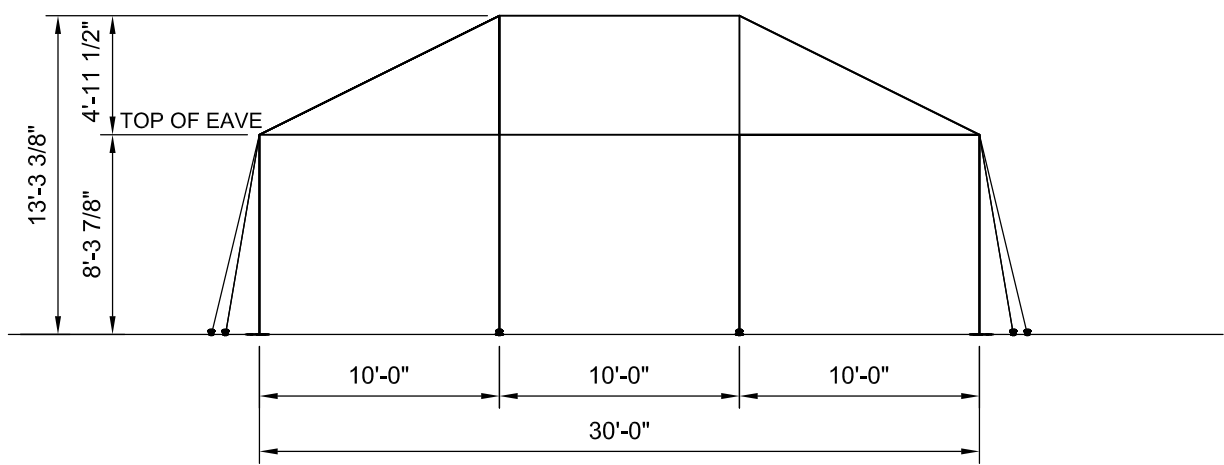
1		2/29/2016	DMK
REV	EC	DATE	BY
REVISION HISTORY			



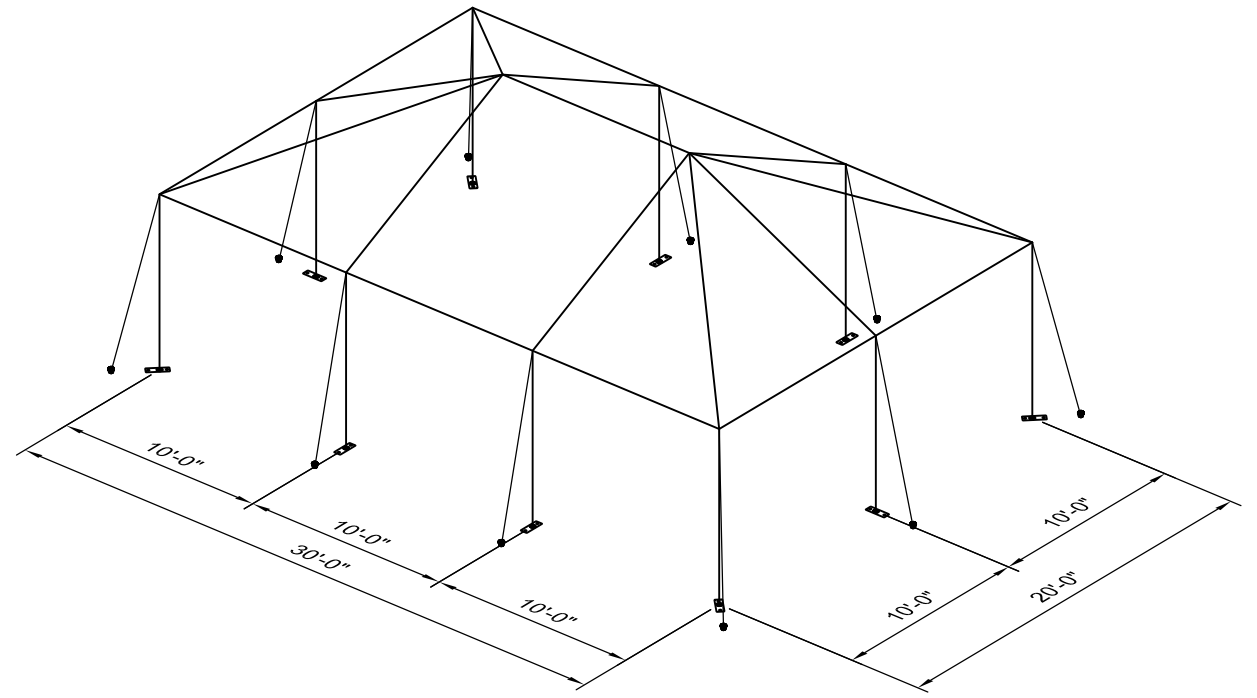
PLAN VIEW



END VIEW



SIDE VIEW



3D VIEW


**NOTES:**

- SEE THE I.F.A.I. STAKING GUIDE ON OUR WEBSITE (WWW.ANCHORINC.COM) FOR SOIL IDENTIFICATION & PULL-OUT CAPACITY OF STAKES.

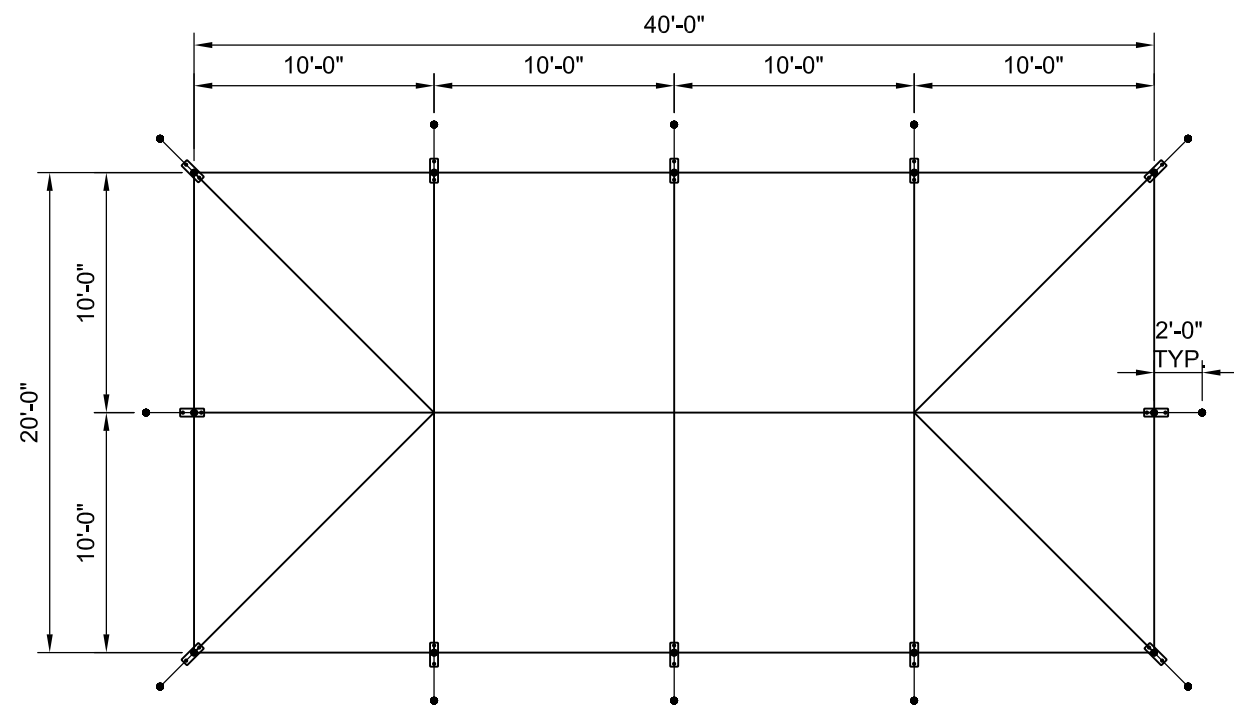
F3 FRAME TENT  
 20' x 30' TENT - 600 SQ. FT.  
 • (10) 1" WEB GUYS WITH RATCHETS  
 • (20) 1" x 30" STAKES  
 \* SEE NOTES



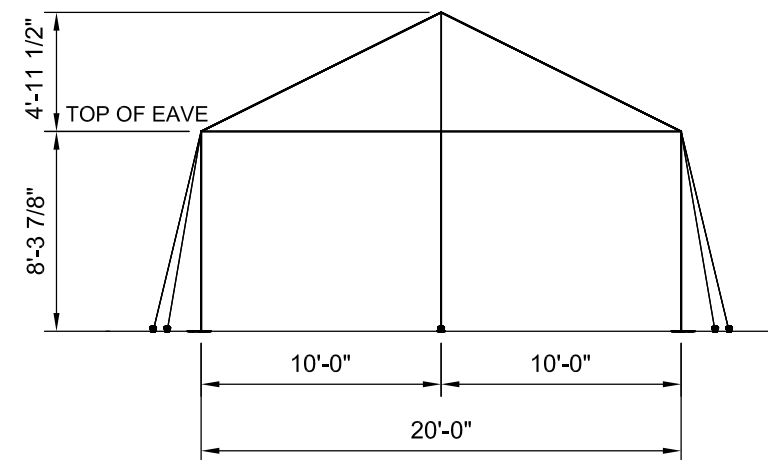
**Caution:**  
 Staking or anchoring is the responsibility of the installer. Soil conditions will dictate the number of stakes or anchors required. **Do not use this drawing to determine staking requirements.** Contact Anchor for Engineering loading data that can be used in conjunction with IFAI methodologies to determine site specific anchoring requirements.

ITEM DESCRIPTION		ITEM NO.
		<small>All data and information contained in or disclosed by this document is confidential and proprietary information of Anchor Industries, Inc. and all rights therein are expressly reserved. By accepting this material the recipient agrees that this material and the information contained therein is held in confidence and in trust and will not be used, copied, reproduced in the whole or in part, nor its contents revealed in any manner to others except to meet the specific purpose for which it was delivered.</small>
<b>F3 BROCHURE DRAWING</b>		
20' x 30' HIP END FRAME W/(1) 10' MID		
DRAWN BY:	DMK	CHECKED BY:
APPROVED BY:	EC#	DATE: 06-24-2015
DRAWING NO.		15-284-1-2

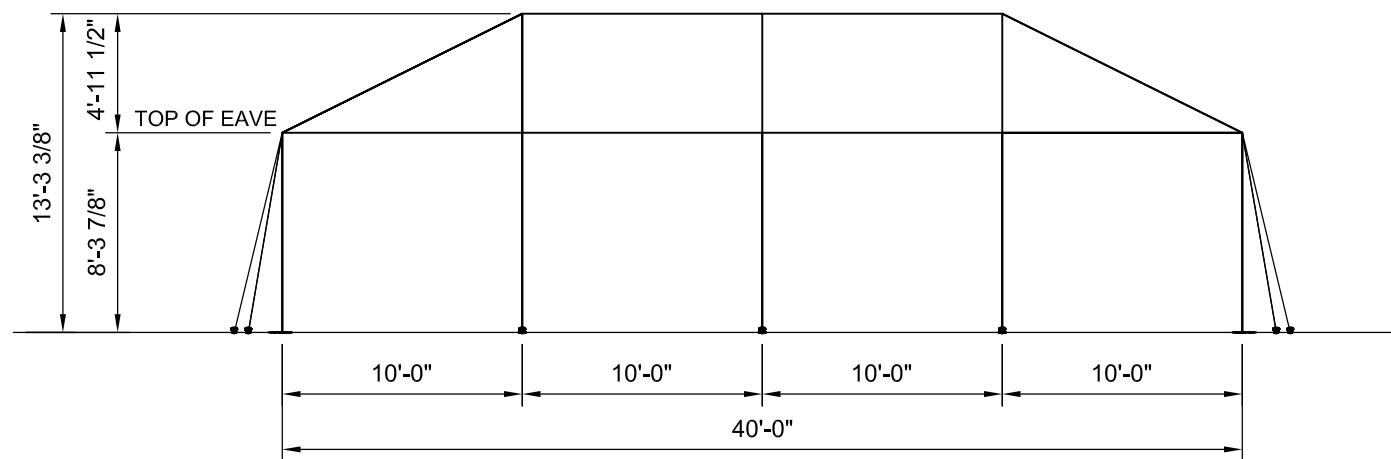
1		2/29/2016	DMK
REV	EC	DATE	BY
REVISION HISTORY			



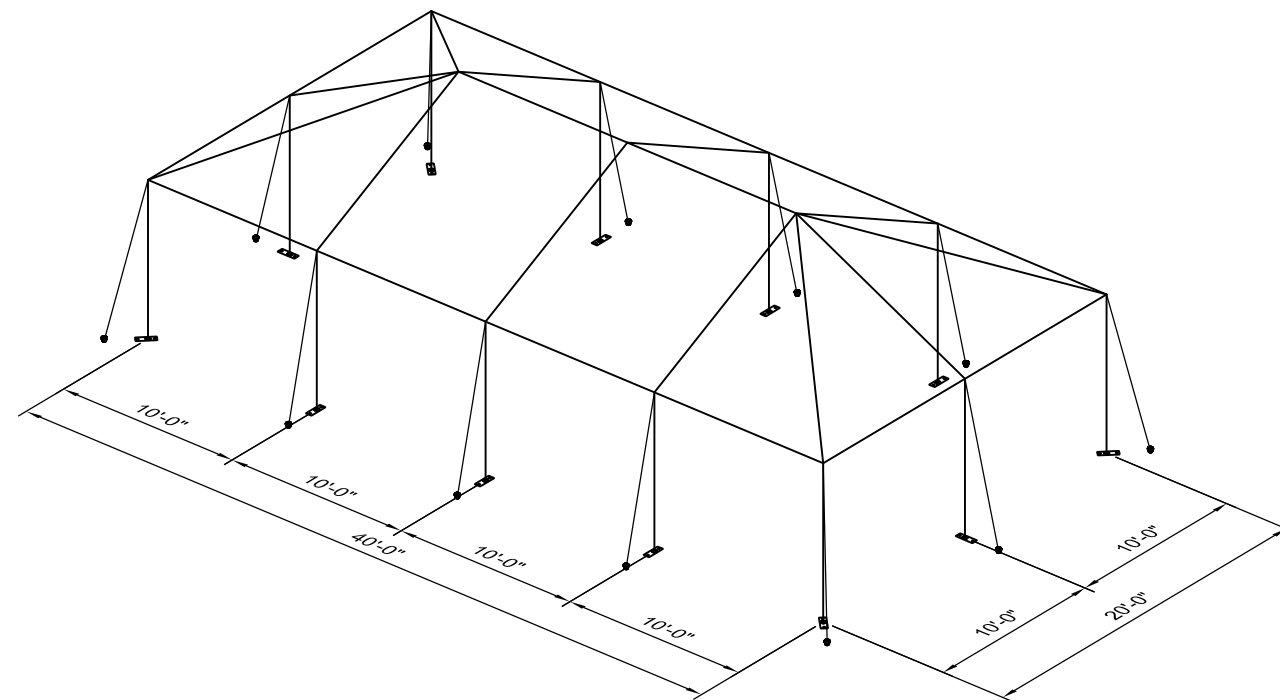
PLAN VIEW



END VIEW



SIDE VIEW



3D VIEW

**NOTES:**

- SEE THE I.F.A.I. STAKING GUIDE ON OUR WEBSITE (WWW.ANCHORINC.COM) FOR SOIL IDENTIFICATION & PULL-OUT CAPACITY OF STAKES.

- F3 FRAME TENT  
20' x 40' TENT - 800 SQ. FT.
- (12) 1" WEB GUYS WITH RATCHETS
  - (24) 1" x 30" STAKES

\* SEE NOTES




**Caution:**

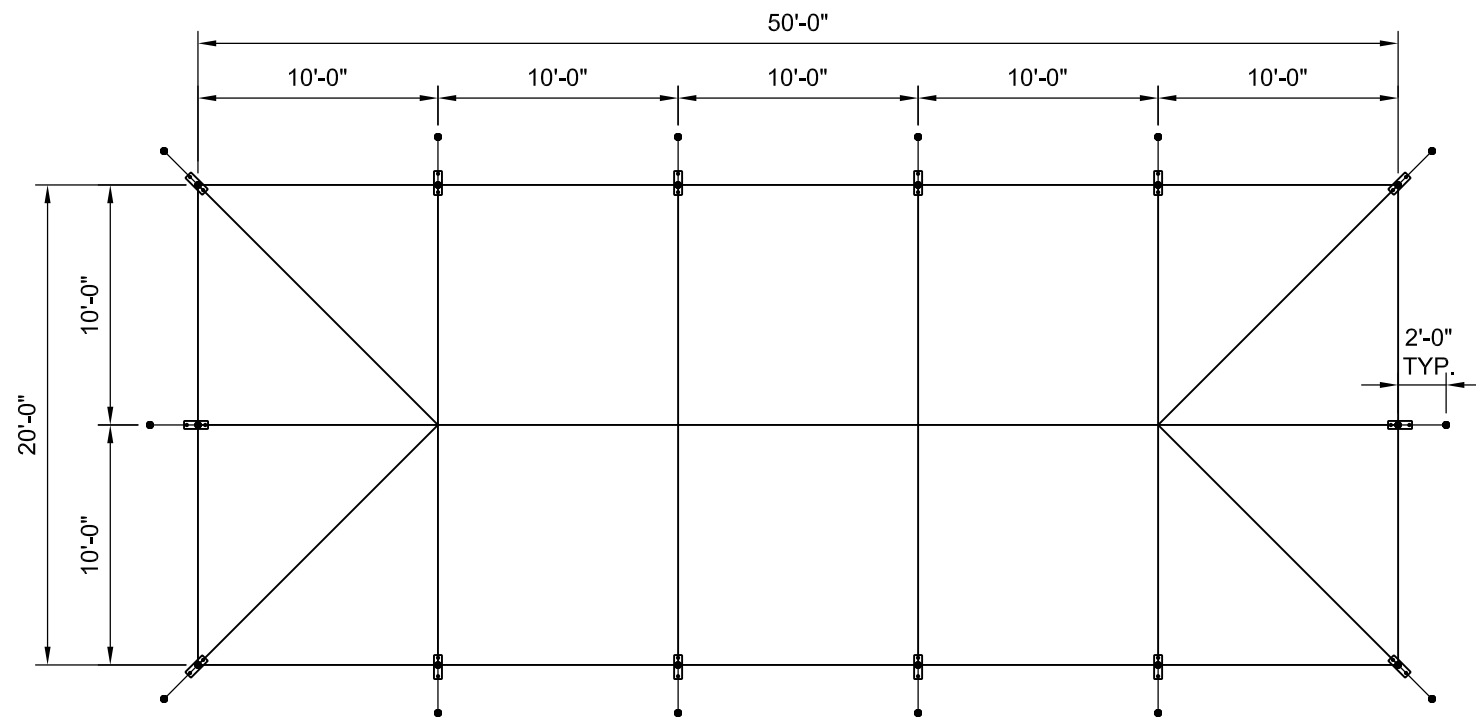
Staking or anchoring is the responsibility of the installer. Soil conditions will dictate the number of stakes or anchors required. **Do not use this drawing to determine staking requirements.** Contact Anchor for Engineering loading data that can be used in conjunction with IFAI methodologies to determine site specific anchoring requirements.

REV	EC	DATE	BY
1		2/29/2016	DMK

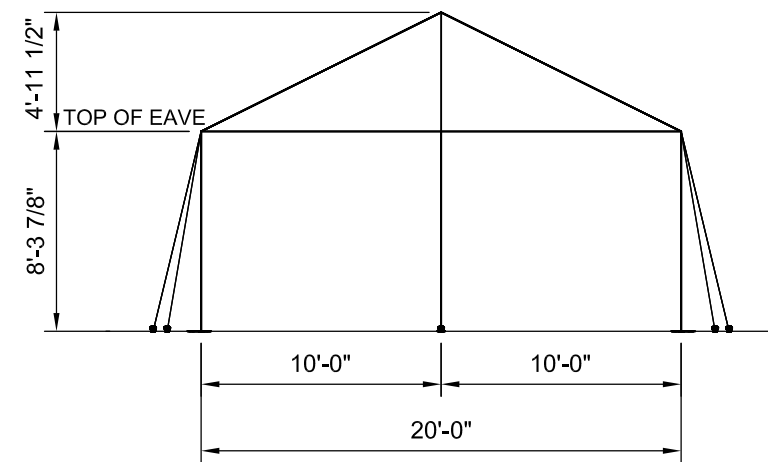
REVISION HISTORY

ITEM DESCRIPTION		ITEM NO.
		
<b>F3 BROCHURE DRAWING</b> 20' x 40' HIP END FRAME W/(2) 10' MIDS		
DRAWN BY:	DMK	CHECKED BY:
APPROVED BY:	EC#	DATE:
		06-24-2015
DRAWING NO.		15-284-1-3

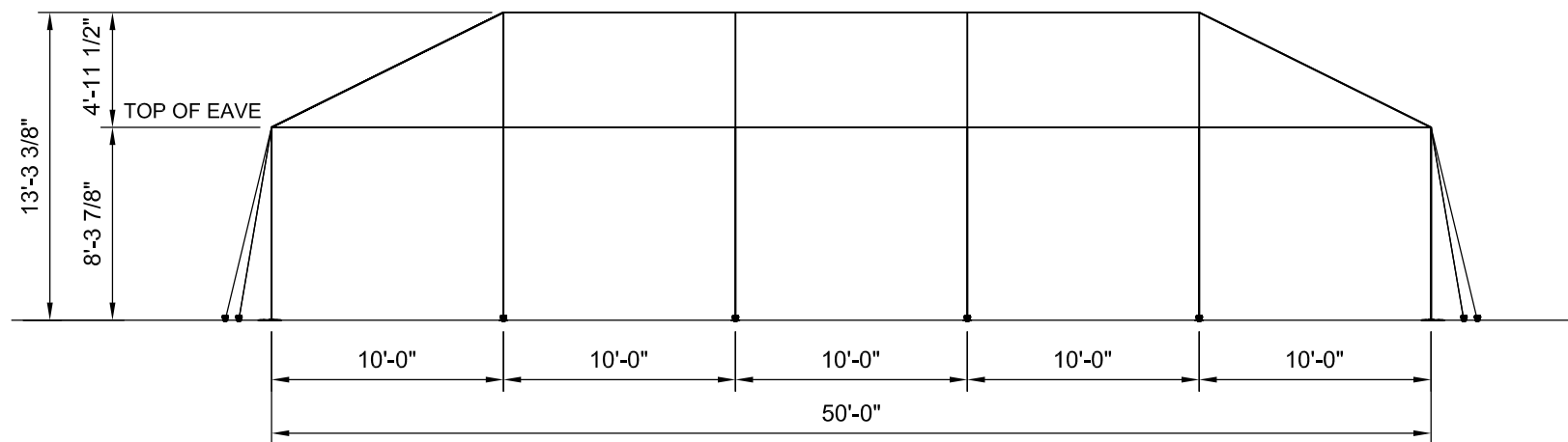
All data and information contained in or disclosed by this document is confidential and proprietary information of Anchor Industries, Inc. and all rights therein are expressly reserved. By accepting this material the recipient agrees that this material and the information contained therein is held in confidence and in trust and will not be used, copied, reproduced in the whole or in part, nor its contents revealed in any manner to others except to meet the specific purpose for which it was delivered.



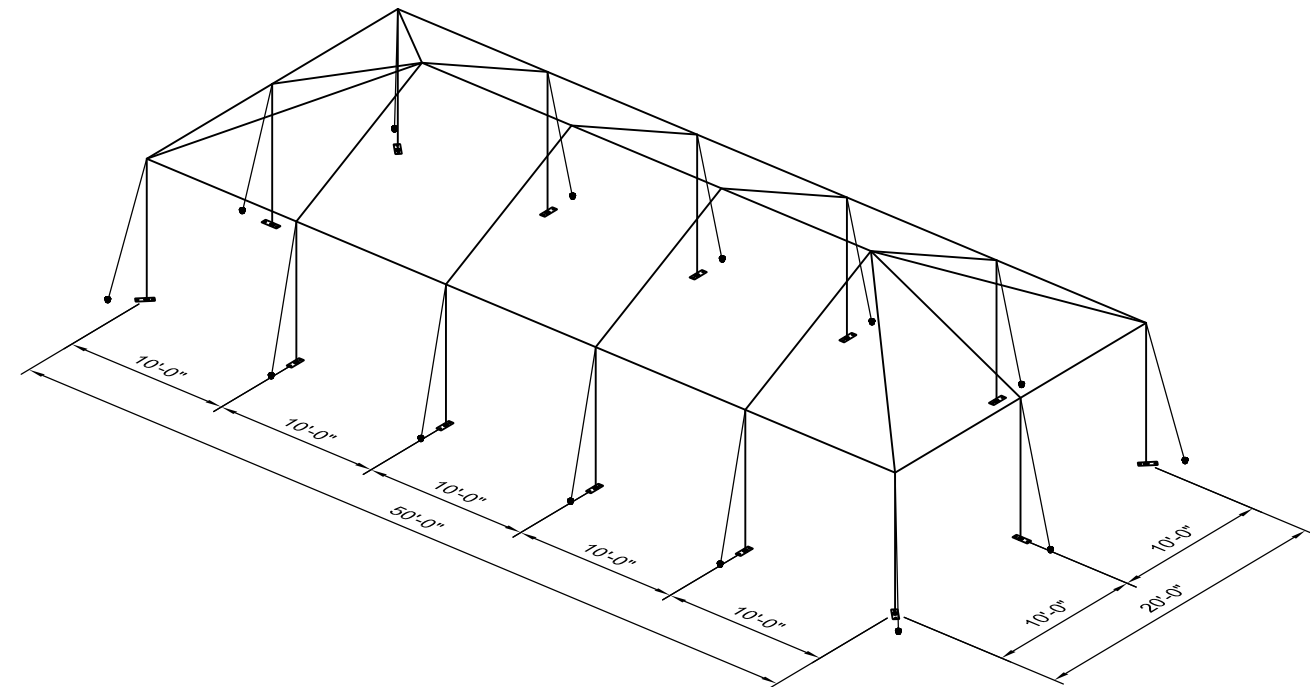
PLAN VIEW



END VIEW



SIDE VIEW



3D VIEW

**NOTES:**

- SEE THE I.F.A.I. STAKING GUIDE ON OUR WEBSITE (WWW.ANCHORINC.COM) FOR SOIL IDENTIFICATION & PULL-OUT CAPACITY OF STAKES.

- F3 FRAME TENT  
 20' x 50' TENT - 1000 SQ. FT.
- (14) 1" WEB GUYS WITH RATCHETS
  - (28) 1" x 30" STAKES

\* SEE NOTES




**Caution:**

Staking or anchoring is the responsibility of the installer. Soil conditions will dictate the number of stakes or anchors required. **Do not use this drawing to determine staking requirements.** Contact Anchor for Engineering loading data that can be used in conjunction with IFAI methodologies to determine site specific anchoring requirements.

REV	EC	DATE	BY
1		2/29/2016	DMK

REVISION HISTORY

ITEM DESCRIPTION		ITEM NO.
		
<b>F3 BROCHURE DRAWING</b> 20' x 50' HIP END FRAME W/(3) 10' MIDS		
DRAWN BY:	DMK	CHECKED BY:
APPROVED BY:	EC#	DATE:
		06-24-2015
DRAWING NO.		15-284-1-4

All data and information contained in or disclosed by this document is confidential and proprietary information of Anchor Industries, Inc. and all rights therein are expressly reserved. By accepting this material the recipient agrees that this material and the information contained therein is held in confidence and in trust and will not be used, copied, reproduced in the whole or in part, nor its contents revealed in any manner to others except to meet the specific purpose for which it was delivered.