

Installation Instructions

Fiesta® Pavilion

10', 12' & 14' Wide x 15' Length



Please read all assembly / installation instructions before the installation or removal of this product.



7701 Highway 41 N
Evansville, IN 47725
Phone: 812-867-2421
Fax: 812-867-1429
1-800-544-4445
email: tents@anchorinc.com
www.anchorinc.com

FIESTA PAVILION "COLOR CODE"
15'-0" FRAME
ARRANGE PARTS
FOR ASSEMBLY



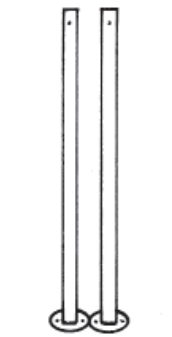
STORAGE BAG
W/ TOP



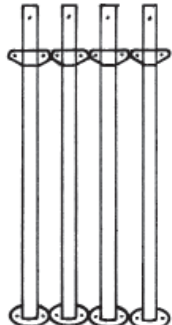
STAKES & GUY WEB



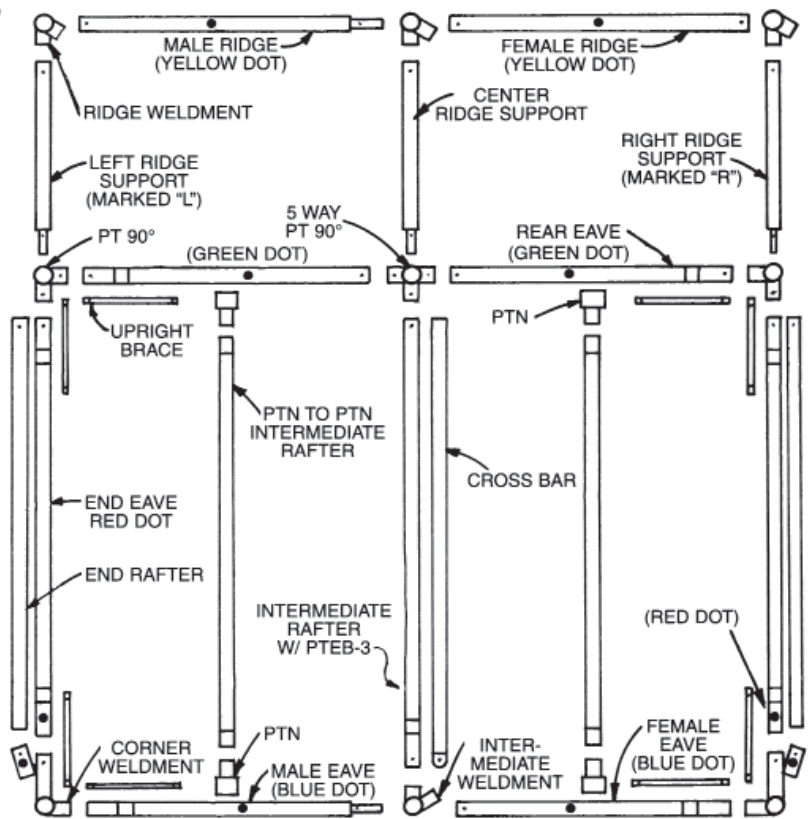
NAILS FOR UPRIGHT
BASE PLATES



INTERMEDIATE
ADJ. UPRIGHTS



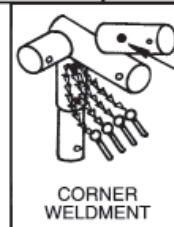
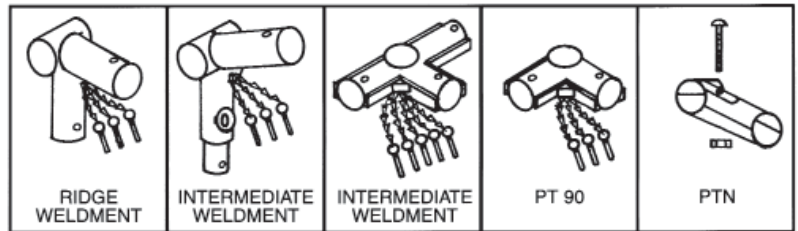
CORNER ADJ.
UPRIGHTS W/ PTCB



PARTS LIST

CHECKED	REQUIRED	
_____	2	PT 90
_____	3	RIDGE WELDMENT
_____	4	PTN
_____	1	INTER. WELDMENT
_____	1	5 WAY PT 90
_____	2	END RAFTER
_____	1	INTERMEDIATE RAFTER W/ PTEB
_____	2	INTERMEDIATE RAFTER PTN TO PTN
_____	2	END EAVE - COLOR CODED W/ 2 PTEB
_____	1	CROSS BAR W/PTE
_____	4	CORNER ADJ. UPRIGHTS W/ PTCB
_____	2	INTERMEDIATE UPRIGHTS
_____	1	MALE RIDGE W/ PTN
_____	1	FEMALE RIDGE
_____	2	REAR EAVE W/ PTEB
_____	1	FRONT MALE EAVE W. PTEB
_____	1	FRONT FEMALE EAVE W. PTEB
_____	3	RIDGE SUPPORT
_____	2	CORNER WELDMENT - COLOR CODED
_____	8	UPRIGHT BRACE
_____	5	30° STEEL STAKE
_____	12	10" NAIL STAKE
_____	5	ROPES FOR TIE DOWN
_____	1	STORAGE BAG FOR TOP
_____	1	INSTALLATION SHEET
_____	2	5/16" x 2 1/2" EYE BOLT
_____	1	FIESTA WRENCH
_____		TOTAL

*FOR 7'-6" EXTENSION PARTS, SEE PAGE 5.



(RED DOT)



BASE PLATE

Unique to the Fiesta system, our 5" diameter base plate accepts two 10" nail stakes for added stability.

INSPECT SITE

Prior to actual frame assembly be sure to look up, down, above & below for obstacles, pipes, wires, trouble, etc.

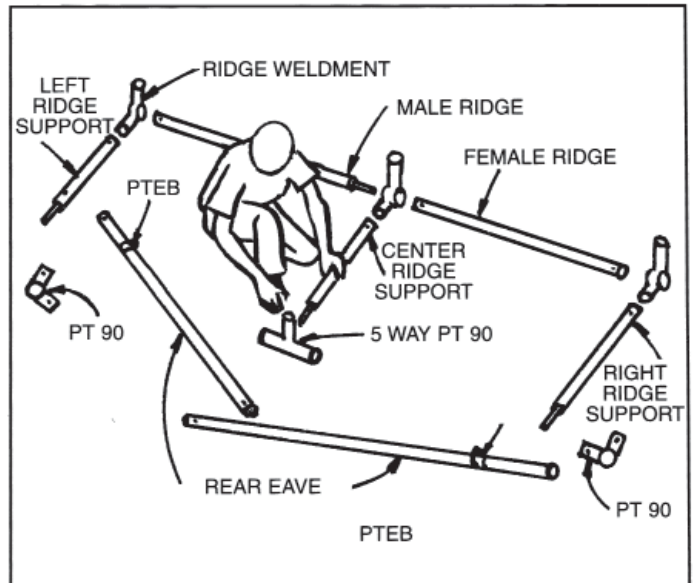
LAYOUT & CHECK

Utilize parts list for a quick I.D. and a check list to ensure that you have all the parts.

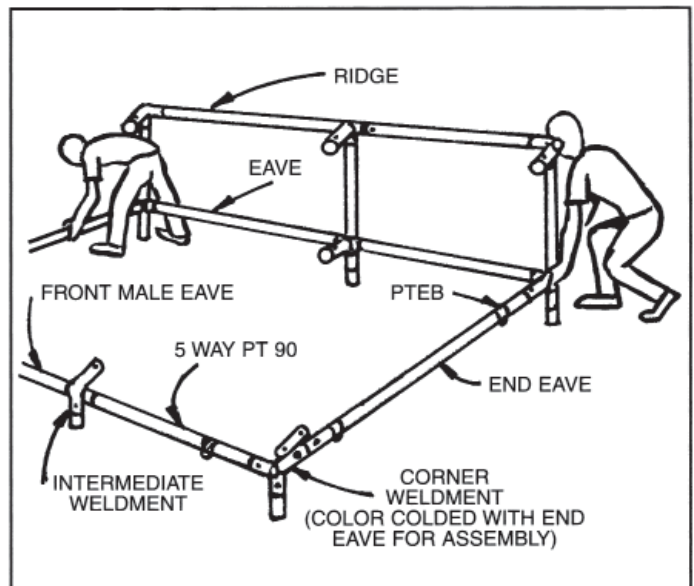
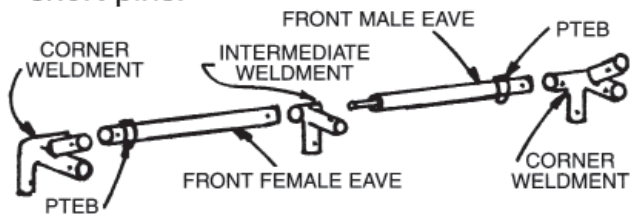
CHECKED BY: _____ DATE: _____

1**RIDGE ASSEMBLY***

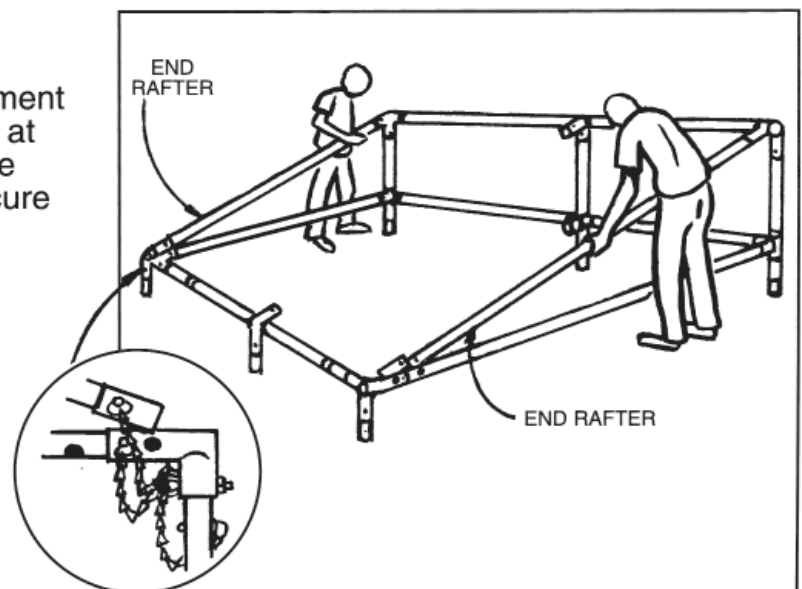
Place ridge weldment onto female ridge. Join male ridge with long pin on ridge; trapping ridge weldment between rivets and pin. Do NOT pin through weldment. Attach ridge weldments to each end of ridge with short pins. Insert ridge supports into ridge weldment and secure with long pins. Insert rear eaves into 5-way PT90 with ends opposite PTEB. Attach PT90's to each end. Join rear eave assembly to ridge supports with short pins into backs of PT90's.

**2****EAVE ASSEMBLY***

Slide intermediate weldment onto front female eave. Join male eave with long pin on weldment; trapping weldment between rivet and pin. Attach corner weldment to each end of eave with long pins. Nut holding PTEB must be positioned on top of eave. Attach end eaves to corner code. Attach other end to PT90's with short pins.

**3****END RAFTERS**

Insert end rafter into corner weldment (end with two holes). Do NOT pin at this time. Attach other end to ridge weldment with short pin. Now secure front end with long pin.

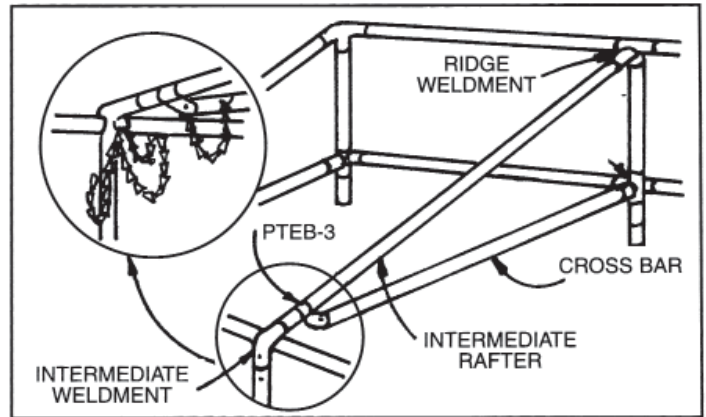


*For 7'-6" extension parts and instructions, see pages 6 & 7.

4

INTERMEDIATE RAFTER* W/ PTEB-3

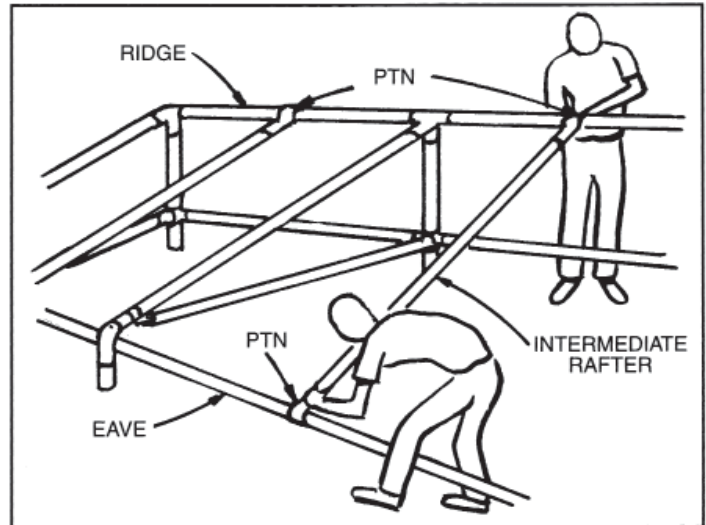
Insert intermediate rafter into intermediate weldment (end with PTEB-3). Do NOT pin at this time. Attach other end of intermediate rafter to ridge weldment with short pin. Now secure front end with short pin. Attach cross bar to PTEB-3 and 5-way PT90 with short pins.



5

INTERMEDIATE RAFTERS* PTN TO PTN

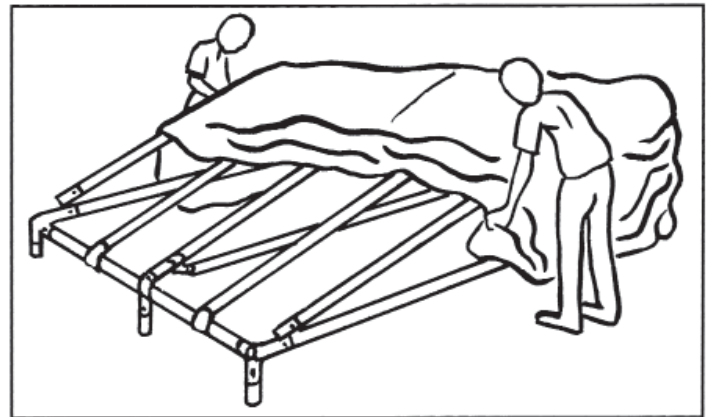
Clamp intermediate rafters to ridge and eave using a PTN casting at each end. Center rafter between weldments and tighten with Fiesta wrench. Do not over tighten.



6

PUT TOP ON

After upper framework is assembled, lay folded top on frame and zip together. Keep top off ground to prevent soiling (we suggest the use of drop cloths to reduce soiling).



7

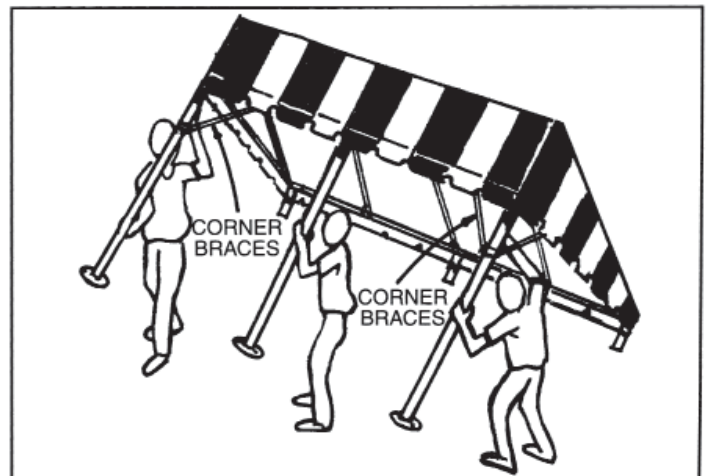
RAISE BACK SIDE

Raise back side of frame and attach uprights. Secure intermediate upright with long pin. Secure corner uprights with eye bolts supplied.

CAUTION:

Braces at both corners "must" be in position before lifting front.

*For 7'-6" extension parts and instructions, see pages 6 & 7.



8

RAISE FRONT SIDE

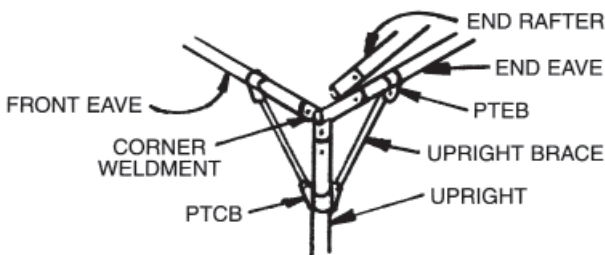
Raise front side of frame and attach uprights. Secure with long pins.

CAUTION:

Pin braces at both front corners. Position tent as desired. Adjust uprights to proper height. Attach guy webs and stakes for desired direction of pull. If guyed to inside, eyebolts on corner weldments must be to inside of tent, If guyed to outside, eyebolts on corner weldments must be to outside. Periodically check to make sure all are secure and taut. See caution on back page.

IMPORTANT:

Guy ropes must be in place at all times.



9

SECURE TOP TO FRAME

Starting at center of front eave and ridge, fasten Fiesta buckles to frame. Wrap web strap around bars and wall rope; then tension with buckle. Periodically check for loosened straps.

10

TAKE DOWN

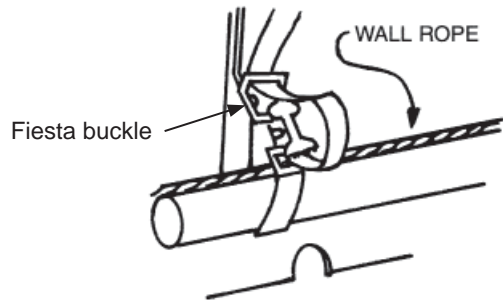
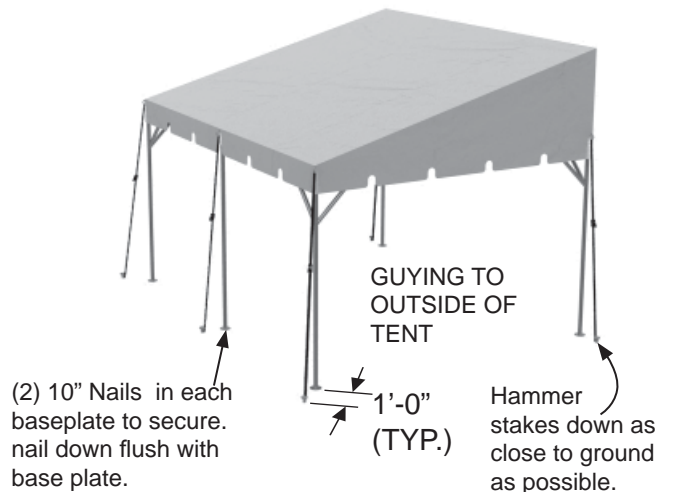
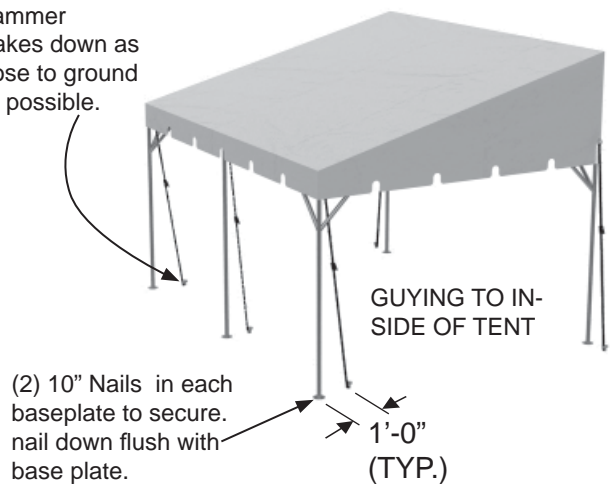
1. Release straps and buckles.
2. "Loosen" all guy ropes.
3. Remove front upright braces.

CAUTION:

Do not remove braces from rear until front side is lowered to ground.

4. Remove front corner uprights and lower frame to ground.
5. Repeat assembly steps #1 - #7 in reverse for disassembly.

Hammer stakes down as close to ground as possible.



MANPOWER REQUIRED:

Three experienced installers should be able to assemble a 15'-0" starter frame in less than one hour. Use one additional installer per 7'-6" extension kit.

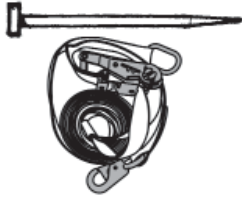
TOOLS REQUIRED:

- Sledge Hammer
- Fiesta Wrench (supplied)

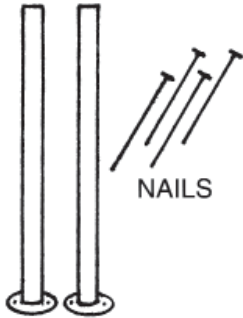
FIESTA PAVILION

7'-6" EXTENSION

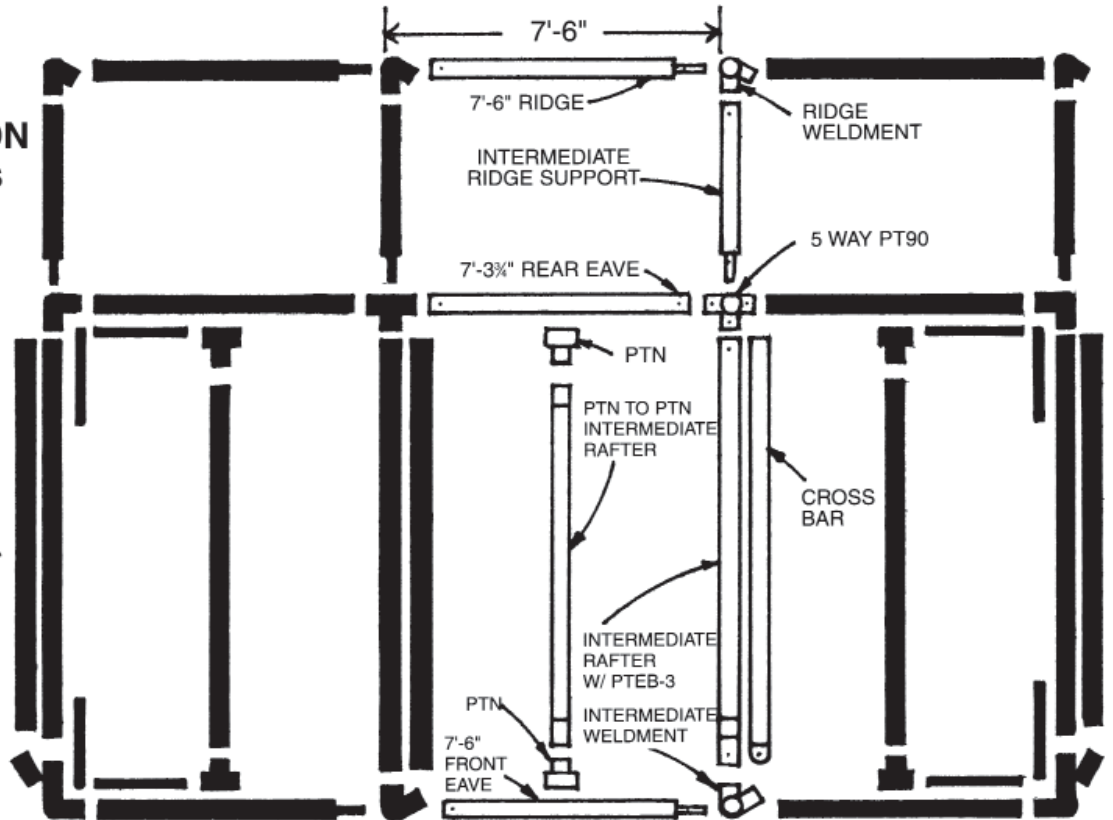
ARRANGE PARTS FOR ASSEMBLY



STAKE & GUY WEB



INTERMEDIATE ADJ. UPRIGHTS



7'-6" EXTENSION FRAME MEMBERS ARE NOTED. FOR ADDITIONAL EXTENSIONS, REPEAT FRAME PATTERN.

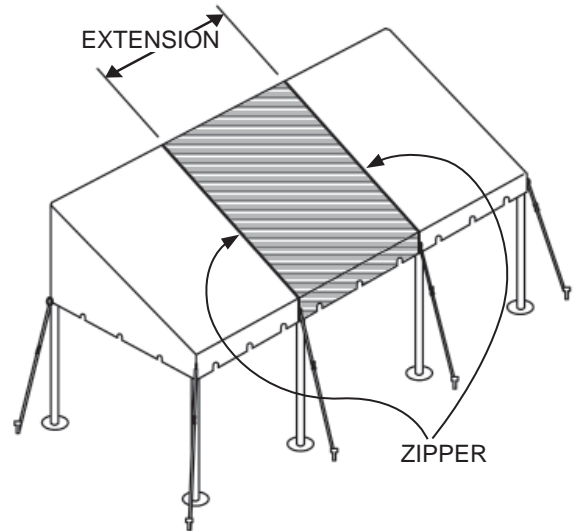
STORAGE BAG W/ TOP

EXTENSION UNITS CAN ONLY BE ASSEMBLED WITH A PAIR OF ENDS OF THE SAME WIDTH.

PARTS LIST

CHECKED REQUIRED

_____	1	RIDGE WELDMENT
_____	2	PTN
_____	1	INTERMEDIATE WELDMENT
_____	1	5 WAY PT 90
_____	1	INTERMEDIATE RAFTER W/ PTEB-3
_____	1	INTERMEDIATE RAFTER PTN TO PTN
_____	1	CROSS BAR W/ PTE
_____	2	INTERMEDIATE UPRIGHTS
_____	1	7'-6" RIDGE W/ PIN
_____	1	7'-3 1/2" RIDGE W/ PIN
_____	1	7'-6" FRONT EAVE
_____	1	RIDGE SUPPORT
_____	1	30" STEEL STAKE
_____	4	10" NAIL STAKE
_____	1	GUY WEB
_____	1	INSTALLATION SHEET
_____	_____	TOTAL



CHECKED BY: _____
DATE: _____

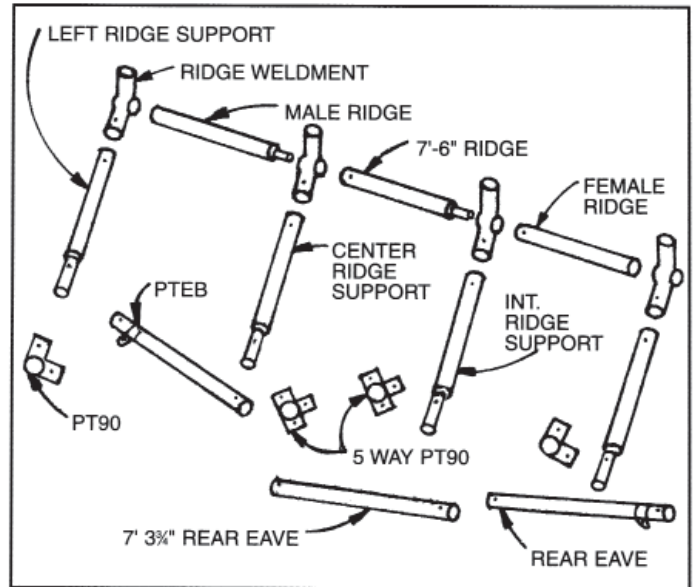
LAYOUT & CHECK

Utilize parts list for a quick I.D. and a check list to ensure that you have all the parts.

SUPPLEMENTAL INSTRUCTIONS FOR ASSEMBLING FRAMES WITH ONE OR MORE 7'-6" EXTENSION KITS

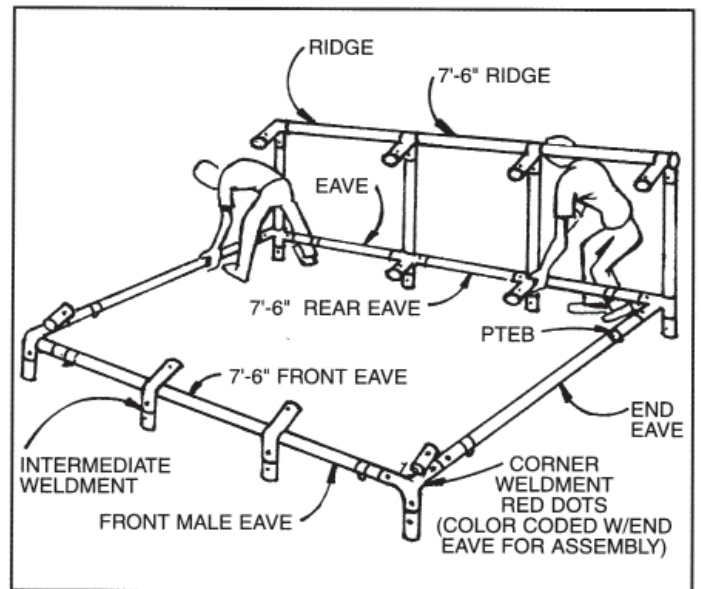
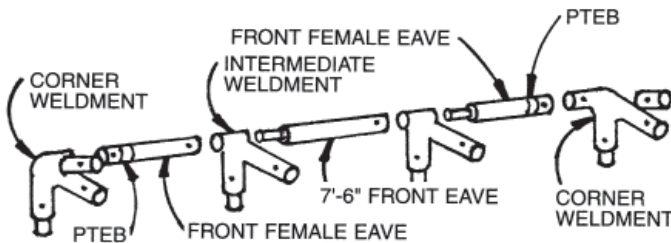
1a RIDGE ASSEMBLY W/ EXTENSION

Repeat Step #1 to assemble 7'-6" ridge, intermediate ridge support and 7'-3 3/4" rear eave of extension frame kit.



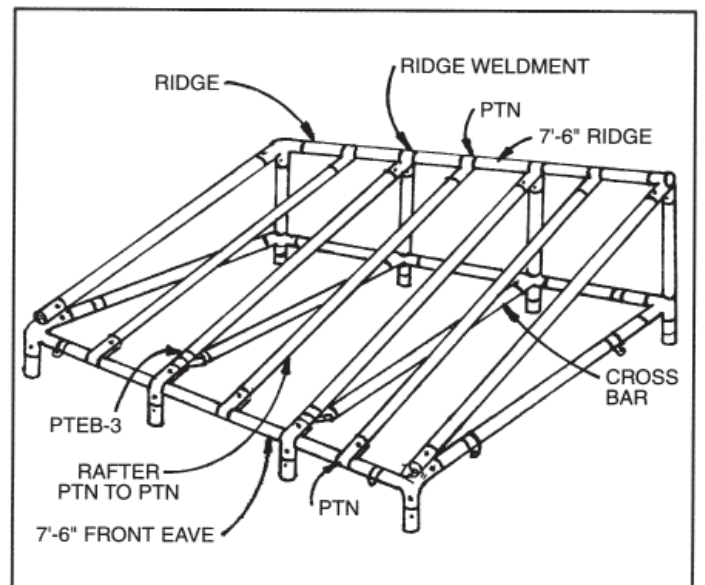
2a EAVE ASSEMBLY W/ EXTENSION

Repeat Step #2 to assemble 7'-6" front eave of extension frame kit.



4a & 5a EXTENSION RAFTERS

Repeat Step #4 & #5 to assemble intermediate rafter w/ PTEB-3, cross bar and intermediate rafter (PTN to PTN) of extension frame kit.





PHONE NUMBER
812-867-2421

FAX NUMBER
812-867-1429

Anchor products are of superior design and operate best within the parameters of these instructions. It is imperative that the instructions be carefully read and **COMPLETELY FOLLOWED**. Please read installation instructions before the installation or removal of this product. Installation instructions are available online at www.anchorinc.com or by calling 1-800-544-4445.

CAUTION:

1. For each installation, the installer is solely responsible for evaluating the site and the proper securing method determined. Some soils require different staking or securing than that provided with the tent. Due to this variety of soil conditions, these are the manufacturer's suggested sequence of installation procedures. Anchor's responsibility is limited to the manufacture of the tent parts and materials. We are not responsible for methods that installers may choose to erect and secure the tent to the ground.
2. The number of stakes suggested in the installation instructions do not necessarily meet all or any relevant codes on the site of the tent installation. The number of stakes suggested **will, in many cases, keep the tent erected**, however, due to various soil conditions; these stakes will be insufficient **to keep the tent secure in high winds**. It is the tent installer's responsibility, not the manufacturer, to determine the appropriate number of stakes to meet the necessary wind loads on the site. Regardless of the number of stakes we suggest, we make no representation or warranty as to whether this specific number of stakes will meet the local tent code. Anchor does not, nor can it make any suggestions, representation, or warranties about the adequate staking required at each specific installation site. Staking information provided in the installation instructions **is not a suggestion about what is necessary to meet a site-specific load**.

For additional important information, consult: "The IFAI Procedural Handbook For the Safe Installation and Maintenance of Tentage" and the IFAI Pocket Guide "Pullout Capacity of Tent Stakes", both available from the IFAI Tent Rental Division or on our website.

3. Inasmuch as the weather is unpredictable, good judgment and common sense must be incorporated within installation guidelines. It is the responsibility of the tent installer/maintainer to determine the severity of the weather, proper time and method of installation and/or erection and disassembly. **Note: We recommend that snow and ice be removed from the tent surface as soon as possible because accumulation will damage the tent or fabric structure. Please consult with our Engineering Department about the maximum loads for each product.**

This product has been manufactured for use as a temporary structure. For the safety of all occupants, evacuation is recommended if threatening weather occurs, or if there is any doubt concerning the safe use of this product.

4. Proper safety equipment should be used at all times to insure a safe installation and take down. We suggest a careful evaluation be made to determine safety equipment needed, such as hard hats, steel-toe shoes, safety glasses and other as required. It is our desire that all installations are safe. Please be aware of hidden dangers both underground, i.e., gas lines, water lines, electrical lines, etc. and above the tent such as power lines and telephone lines.
5. Anchor stands behind its products in accordance with its standard Terms and Conditions of sale. A copy of our Terms and Conditions of Sale can be obtained by contacting Anchor at the telephone number and/or address on this document.