

Installation Instructions

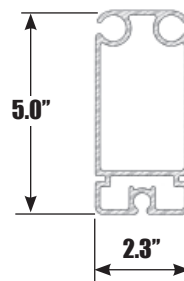
Navi-Trac® Frame Tent

30' Wide Hip End System

Non-Certified Installation



Please read all assembly / installation instructions before the installation or removal of this product.



7701 Highway 41 N
Evansville, IN 47725
Phone: 812-867-2421
Fax: 812-867-1429
1-800-544-4445

email: tents@anchorinc.com
www.anchorinc.com

Table of Contents

PAGE NO.	DESCRIPTION
3	INTRODUCTION INSPECT SITE FRAME TERMINOLOGY
4	COMPONENT ILLUSTRATIONS
5	30' NAVI-TRAC COMPONENT LIST TABLE HARDWARE LOCATION CHART
6	SAFETY GUIDELINES
7	SQUARING THE TENT - FOOTPRINT LAYOUT
8	LAYOUT END MODULE COMPONENTS CONSTRUCT FIRST BEAM
9	ASSEMBLING & COMPLETING HIP END TOP FRAME
10	SUMMARY OF STEPS FOR SQUARE TENT
11	INSTALLING FABRIC ON HIP ENDS LIFTING TOP FRAME
12	WEB GUY - STAKING GUIDELINES
13	TENSIONING AND GUYING
14	HIP END MODULES FOR RECTANGULAR UNITS
15	UNITS WITH (1) MIDDLE BAY INSTALLING MID BAY PURLINS AND EAVE/RIDGE BARS
16	PURLIN SUPPORTS IN 20' MID BAYS INSTALLING MID PANEL
17	SAFE ATTACHMENT OF PULL ROPES UNITS WITH (2) OR MORE MID BAYS
18	X-CABLED BAYS 30' NAVI-TRAC COMPLETE ILLUSTRATION
19	WALL INSTALLATION
20	GROUND BAR KEEPER
21	LIMITS OF LIABILITY

INTRODUCTION:

The NAVI-TRAC frame configuration is based on the hip roofed square tent shown below.

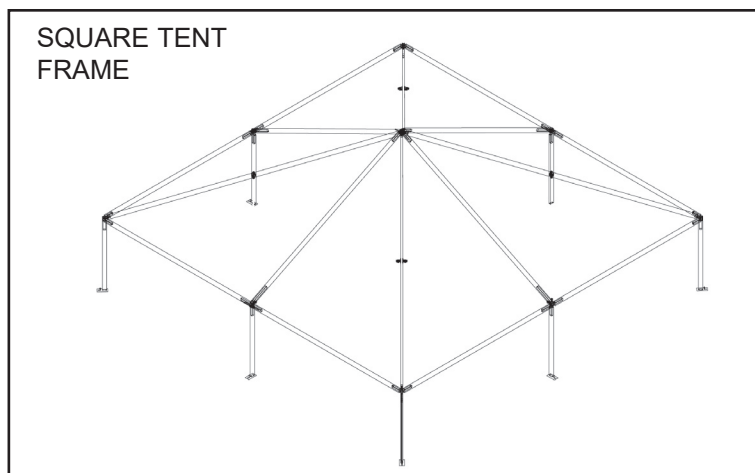
Hip bars connect corners to the peak, and rafters connect eave bars to the peak. The square can be extended into a rectangle by adding 10', 15' or 20' bays made up of rafters and the appropriate ridge/eave bars (see below). In the **square tent**, female eave bars and rafters are connected to eave weldments by rigid slip joints. Hip bars and eave/ridge bars and rafters in the middle bays use easy to install drop-in fittings.

The NAVI-TRAC frame is made up of extruded aluminum members joined by weldments such as corner weldments, ridge weldments, eave weldments, etc. The aluminum frame members themselves are extruded with channels into which the NAVI-TRAC fabric "kedar" is fed.

The first bay added to the square tent shape is a "**starter**" bay. This starter bay allows a slip fit connection to the square tent eaves on one end of the weldment and a drop-in connection for the new starter bay eaves on the other end of the weldment.

Subsequent bays added to the unit are "**extension**" bays. Extension bays allow drop-in connections on both ends of the eave weldments.

The chart on page 5 lists components needed for the 30' x 30' square tent, the first (starter) extension, and for each additional extension to be added to the unit. Note: starter mids or bays and extension mids are available in options of 10', 15' or 20' increments of length, as shown.



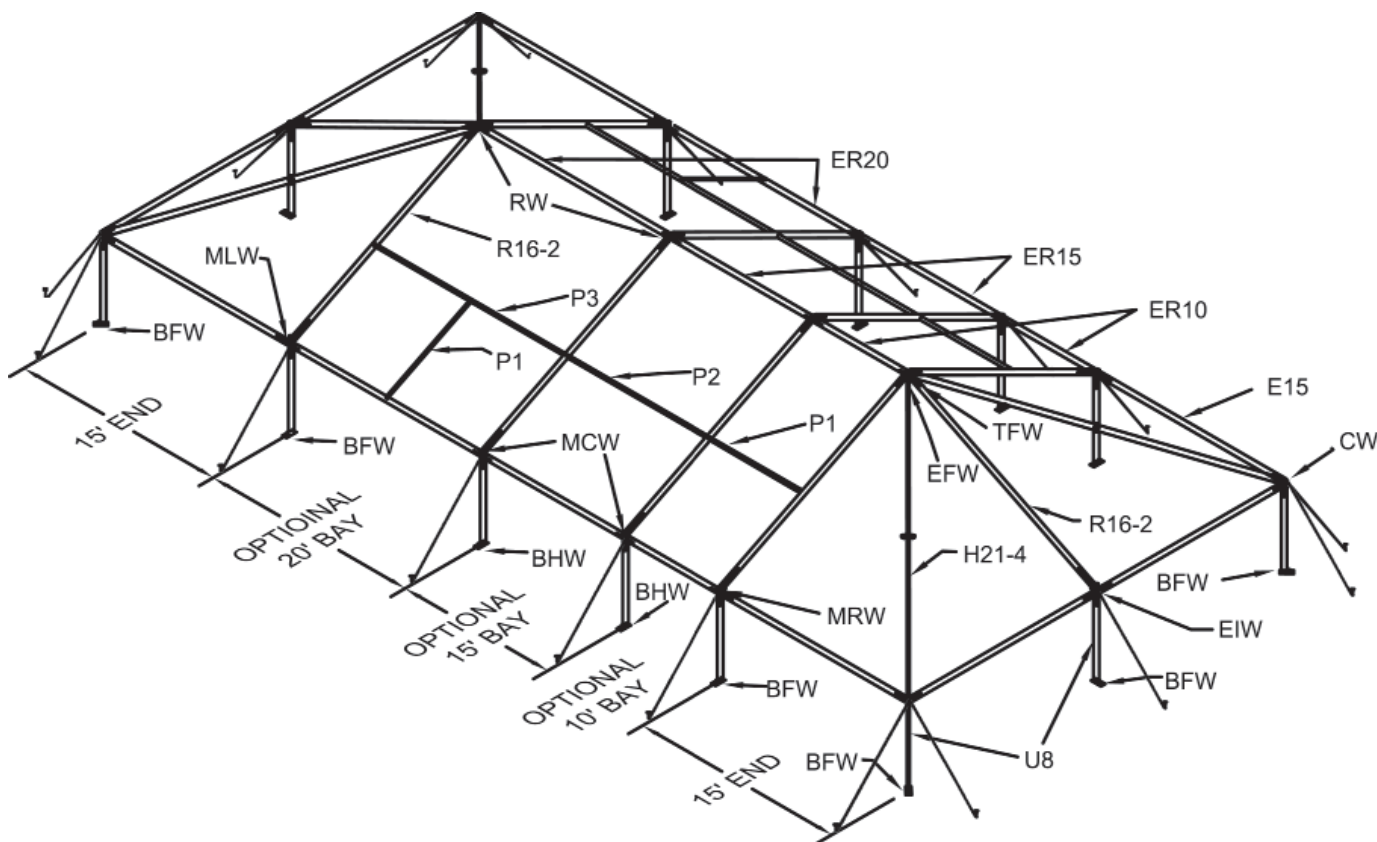
INSPECT SITE

CAUTION:

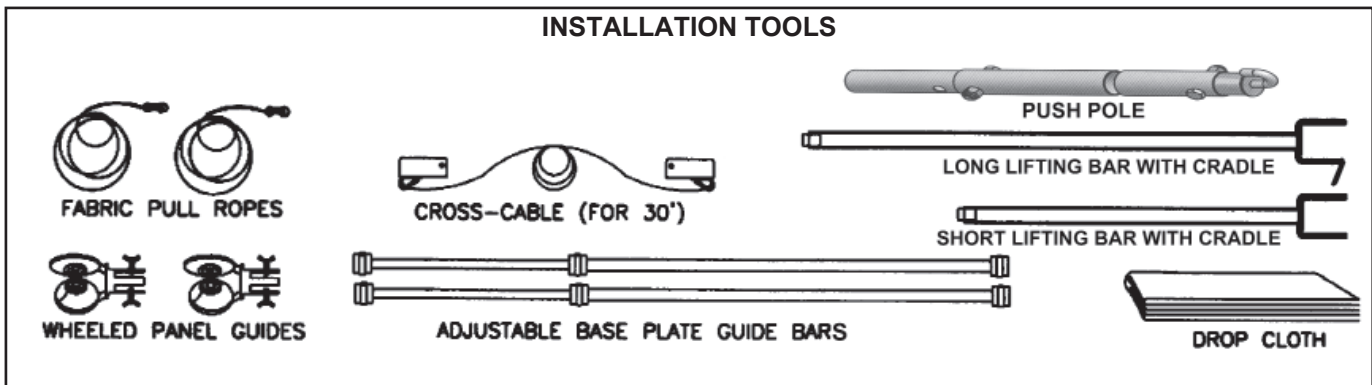
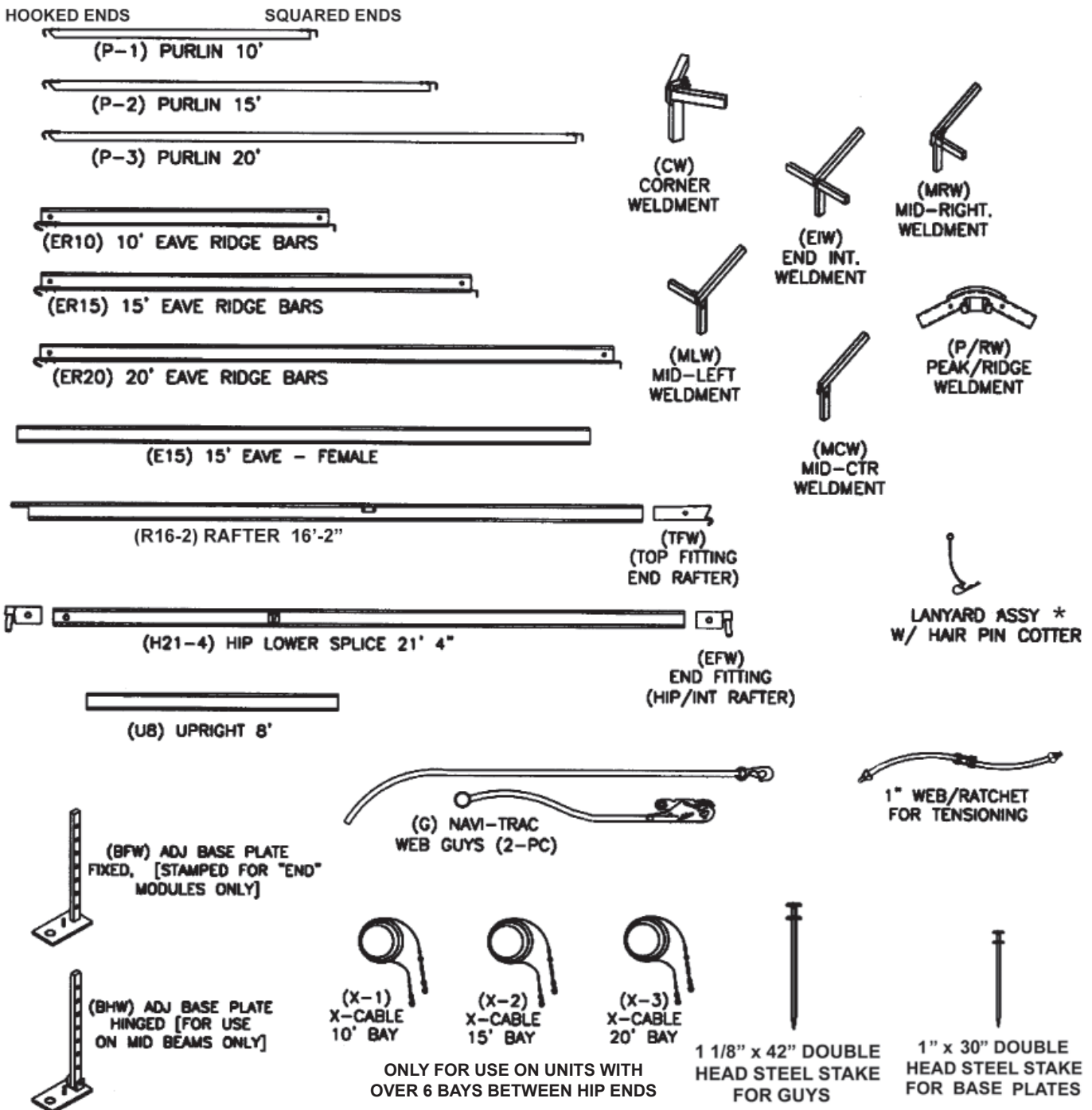
Consult your local [utility locator service](#) or the [National Utility Locating Contractors Association \(NULCA\)](#) prior to installation.

Prior to actual tent assembly, be sure to look up, down, above & below for obstacles, pipes, wires, trouble, etc.

30' Navi-Trac Frame Terminology



30' NAVI-TRAC COMPONENT ILLUSTRATIONS



30' NAVI-TRAC COMPONENT LIST

LABEL (LETTER ON DWG)	COMPONENT DESCRIPTION	OTHER I.D. CODES	30 X 30	30' NAVI-TRAC			FRAME		
				20' MID	20' MID	15' MID	15' MID	10' MID	10' MID
				START	EXT	START	EXT	START	EXT
TOP EXTRUSIONS WITH CHANNELS									
E15	EAVE - FEMALE 15'		8						
ER10	EAVE/RIDGE - DROP-IN 10'							3	3
ER15	EAVE/RIDGE - DROP-IN 15'					3	3		
ER20	EAVE/RIDGE -DROP-IN 20'			3	3				
R16-2	RAFTER 16-2		4	2	2	2	2	2	2
H21-4	HIP LOWER SPLICE 21-4 (30')		4						
PURLINS:									
P1	PURLIN 10'			2	2			2	2
P2	PURLIN 15'					2	2		
P3	PURLIN 20'			2	2				
UPRIGHTS:									
U8	UPRIGHT 8'		8	2	2	2	2	2	2
WELDMENTS, FITTINGS & PLATES									
BFW	ADJ. BASE PLATES W/INSERTS (FIXED)	STAMPED "END"	8	2		2		2	
BHW	ADJ. BASE PLATES W/INSERTS (HINGED)				2		2		2
CW	CORNER WELDMENTS		4						
EIW	END INTERMEDIATE. WELDMENTS		4						
MLW	MID LEFT WELDMENTS			2		2		2	
MRW	MID RIGHT WELDMENTS			2		2		2	
MCW	MID CENTER WELDMENTS				2		2		2
RW	PEAK/RIDGE WELDMENT		1	1	1	1	1	1	1
TFW	TOP FITTING (END RAFTER) W/ HDWR		2						
EFW	END FITTING (HIP/INT. RAFTER) W/ HDWR		8						
*	LANYARD ASSY. WITH HAIRPIN COTTER		8						
INSTALLATION TOOLS:									
	CROSS CABLE FOR 30'	RED	1	1		1		1	
	LONG LIFTING CRADLE		1						
	SHORT LIFTING CRADLE		1						
	ADJ. BASEPLATE GUIDE BAR		2						
	FABRIC PULL ROPES		2						
	WHEELED PANEL GUIDES		2						
	DROP CLOTH (8' x 30')		1						
	PUSH POLE		1						

OTHER COMPONENT NOTES:

- For x-cables for units w/over (6) bays between hip ends, see page 18 for labeling, quantities, and installation.
- Stakes and guys are not included in this table. See staking guidelines on page 12.

HARDWARE LOCATION CHART

FASTENING HARDWARE & WHERE IT'S USED	30 X 30	30 MID	40 X 40	40' MID	50 X 50	50' MID	CARTON #
TENSION LOCK PINS, 1/2"							
2 ea. End of Knee & Ridge Brace -	0	0	20	12	52	12	No. 11
1 ea. End of Cross Cable	***Included with Cross Cable Carton***						
(some cartons could have greater quantities than are required)							
BOLT 1/2" X 3" W/NYLOCK NUT							
Splices, 2 pc. Hip or Rafter - (attached in splice insert)	0	0	4	0	8	2	w/splice
Top Fitting F/End Rafter -	2	0	2	0	2	0	No. 1
End Fittings F/Hip/Int Rafter -	8	0	8	0	16	0	No. 1 or 6
Uprights - Attach Adjustable Insert	8	2	8	2	16	2	No. 1, 2, 4 or 5
LANYARD Assembly with Hair Pin Cotter							
Ends of Hips	8	0	8	0	8	0	No. 1
Top End of Int Rafter	0	0	0	0	8	0	No. 6
Ends of Braces (Installed at factory)	0	0	16	0	16	0	W/Braces

NAVI-TRAC Installation Safety Guidelines

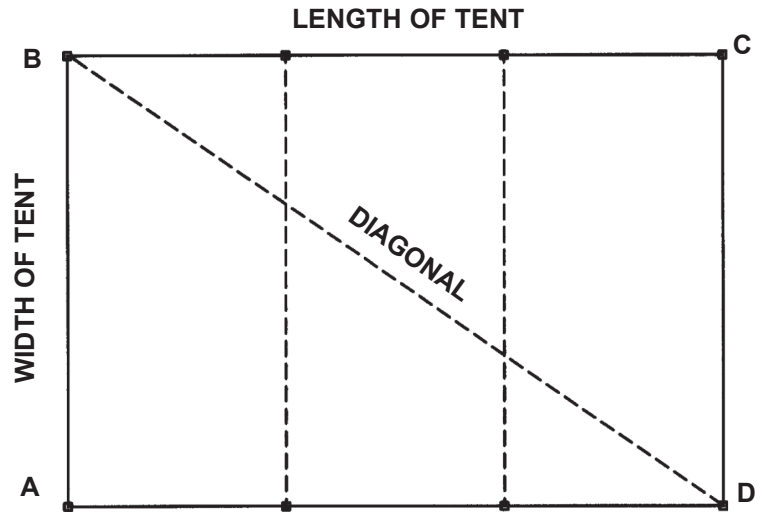
Your installation techniques will evolve to fit the needs of your clients, the experience level of your crews, the nature of other tentage on-site, and the equipment that you have most readily available. We encourage you to begin with a crew of (4) workers and only reduce this number as your experience level allows you to do so safely. Whatever techniques you adapt for your crews, we encourage you to keep safety utmost in mind.

Please read through this assembly manual completely before beginning your installation. Be sure the proper equipment, crew and safety precautions are in place. We hope that you enjoy the design features of the NAVI-TRAC each time the unit is installed.

1. It is recommended that workers wear safety shoes and hard-hats on site.
2. When moving beam sections by hand, use proper lifting techniques to protect the back, and avoid pinching fingers while making hardware connections.
3. Never permit bystanders or uninvolved to stand or walk even briefly in the falling path of a beam as it is being raised or lowered.
4. Be aware to avoid contact of beams with any overhead power lines near the site.
5. When anchoring the structure, avoid all underground power lines and gas lines or other utility easements. Local authorities should be able to map the location of these obstacles.
6. Keep site clear of debris to avoid tripping, especially while carrying components or bundles of fabric.
7. Do not drag bundles of fabric on concrete, asphalt, or ground as this can cause damage to the fabric from abrasion through the bag.
8. When lifting the NAVI-TRAC frame, be sure to use the heavy duty NAVI-TRAC frame lift. The standard Anchor frame lift was not designed for the weight of the NAVI-TRAC frame. When lifting each side of an end section, (2) NAVI-TRAC frame lifts should be used.
9. Before pivoting beams to vertical, clear the area of items that could cause tripping or slipping.
10. Before pivoting middle beam, install the cross-cable for safety bracing. The cross-cable should be removed only after knee braces have been installed to support each middle beam.
11. NOTE: Hinged baseplates should be used only on middle beams supplied as “extensions” and not as a component of an end module. End module plates should all be fixed, and end module eave connections should be rigid, slip joints. Use of hinged baseplates in the end module could cause the end module to collapse during installation.
12. When using ladders to make peak connections, be sure the ladder is tall enough that workers can reach the peak from a ladder step consistent with the safety recommendations for the ladder being used.
13. To meet design loads, x-cabled bays (upright and rafter x-cables) must be added such that there are no more than 6 open bays between x-cabled bays or hip ends (see illustration on page 18.)
14. For proper loading and anchoring information, consult the appropriate NAVI-TRAC blueprint available from Anchor Industries Inc.
15. Before installing fabric, verify that all hip pins are properly seated into weldment fittings and secured by lanyard pins.
16. The installation method described herein requires coordination of tasks between workers. A safe installation is dependent on alertness and coordination.

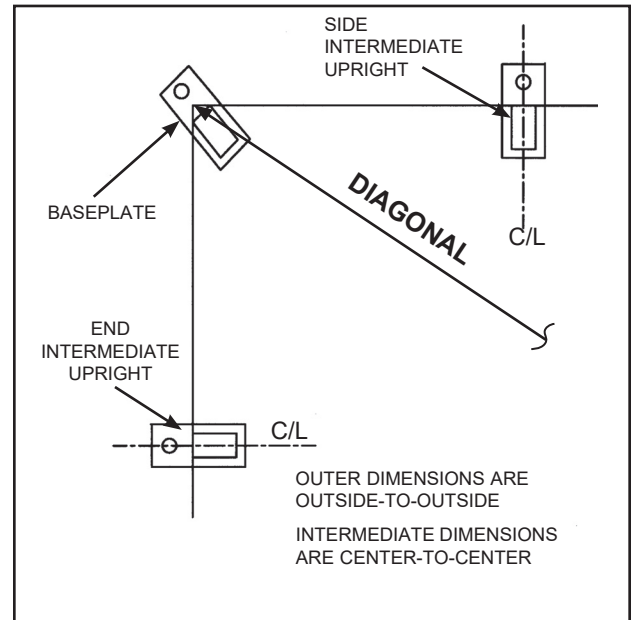
SQUARING THE TENT FOOTPRINT LAYOUT

LOCATING THE FOUR PRIMARY CORNERS



DIRECTIONS FOR SQUARING THE TENT

1. USE A TAPE MEASURE TO MARK THE ENDS OF A LINE FOR ONE END (A TO B ABOVE) EQUAL TO THE EXACT WIDTH OF THE UNIT.
2. HOLD THE "0" END OF ONE TAPE AT POINT "A" AND THE "0" END OF ANOTHER TAPE AT POINT "B".
3. EXTEND THE FIRST TAPE ALONG ONE SIDE OF THE UNIT TO A MEASUREMENT EQUAL TO THE EXACT LENGTH OF THE TENT.
4. CONSULT THE CHART BELOW TO FIND THE DIAGONAL FOR THE TENT YOU ARE BUILDING.
5. EXTEND THE SECOND TAPE TO A MEASUREMENT EXACTLY EQUAL TO THIS DIAGONAL.
6. BRING THE TWO TAPES TOGETHER SO THAT THE LENGTH MEASUREMENT OF ONE LIES DIRECTLY ON THE DIAGONAL MEASUREMENT OF THE OTHER. PULL THE TAPES TIGHT AND MARK THEIR INTERSECTION. THIS WILL LOCATE A FAR CORNER (POINT "D" ABOVE).
7. SWITCH TAPES SO THAT TAPE 1 (ABOVE) MEASURES THE DIAGONAL AND TAPE 2 (ABOVE) MEASURES THE LENGTH. THIS WILL LOCATE POINT "C" ABOVE.
8. WITH THE FOUR PRIMARY CORNERS LOCATED, LAY OUT BASEPLATES AND UPRIGHTS ACCORDING TO THE DIAGRAM TO THE RIGHT AND BEGIN ASSEMBLY, DOUBLE-CHECKING FROM TIME TO TIME TO MAKE SURE THE SQUARE FOOTPRINT IS BEING MAINTAINED.



DIAGONALS FOR SQUARING FOOTPRINT

LENGTH OF TENT

WIDTH OF TENT	FEET	30	40	45	50	55	60	65	70	75	80	85	90	95	100	105	110	115	120	125	130
30		42-5	50-0	54-1	58-4	62-8	67-1	71-7	76-2	80-9	85-5	90-2	94-10	99-8	104-5	109-2	114-0	118-10	123-8	128-7	133-5
40		N/A	56-7	N/A	64-0	68-0	72-1	76-4	80-7	85-0	89-5	93-11	98-6	103-1	107-8	112-4	117-1	121-9	126-6	131-3	136-0
50		N/A	N/A	N/A	70-9	74-4	78-1	82-0	86-0	90-2	94-4	98-7	102-11	107-4	111-10	116-4	120-10	125-5	130-0	134-8	139-3

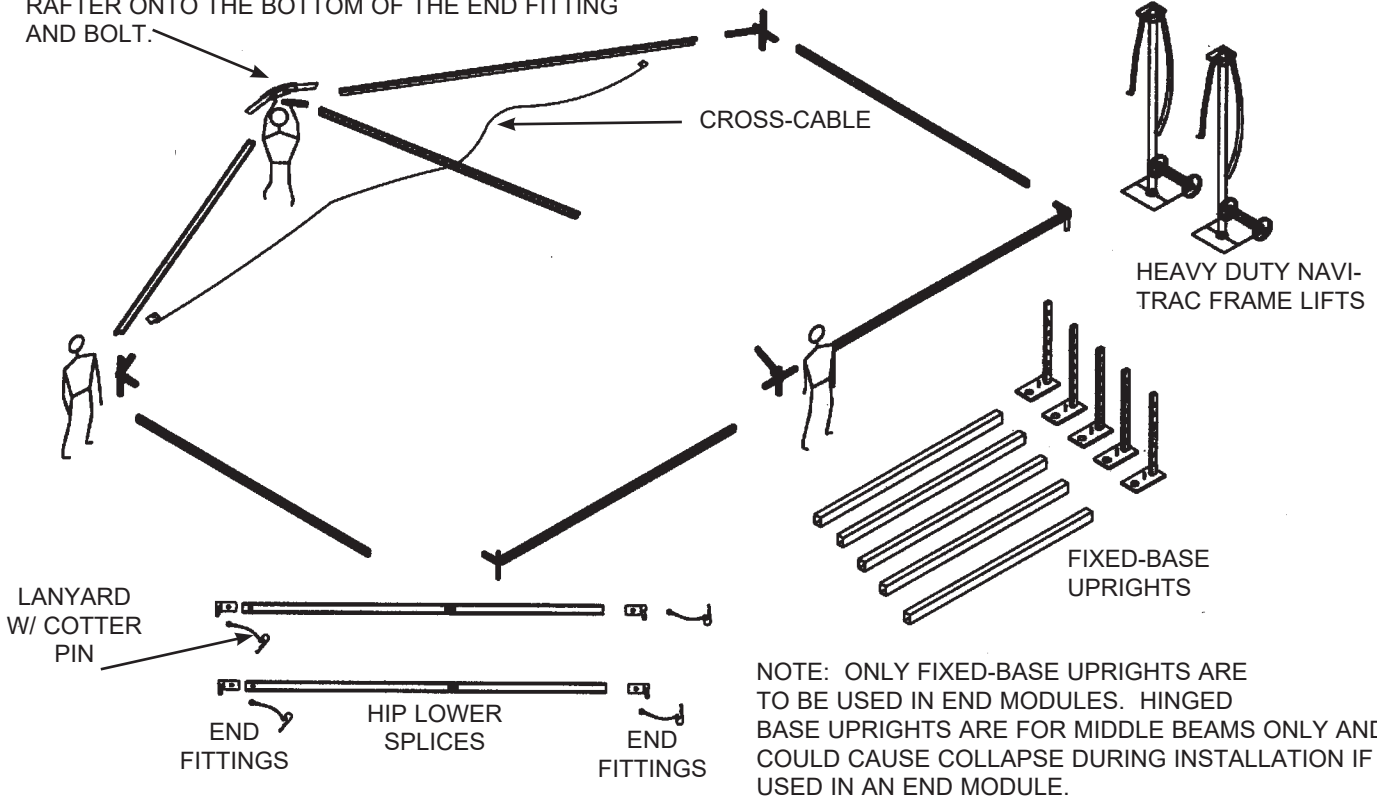
DIAGONAL SHOWN IN FEET-INCHES (TO NEAREST INCH)

WIDTH OF TENT	FEET	135	140	145	150	155	160	165	170	175	180	185	190	195	200	205	210	215	220	225	230
30		138-4	143-2	148-1	153-0	157-11	162-9	167-8	172-8	177-7	182-6	187-5	192-4	197-4	202-3	207-2	212-2	217-1	222-0	227-0	231-11
40		140-10	145-7	150-5	155-3	160-1	164-11	169-9	174-8	179-6	184-4	189-3	194-2	199-1	204-0	208-10	213-9	218-8	223-7	228-6	233-5
50		144-0	148-8	153-5	158-1	162-10	167-8	172-5	177-2	182-0	186-10	191-8	196-6	201-4	206-2	211-0	215-10	220-9	225-7	230-6	235-4

LAYOUT END MODULE COMPONENTS

HOOK THE END RAFTER TOP FITTING ONTO THE PEAK/RIDGE WELDMENT. THEN SLIDE THE END RAFTER ONTO THE BOTTOM OF THE END FITTING AND BOLT.

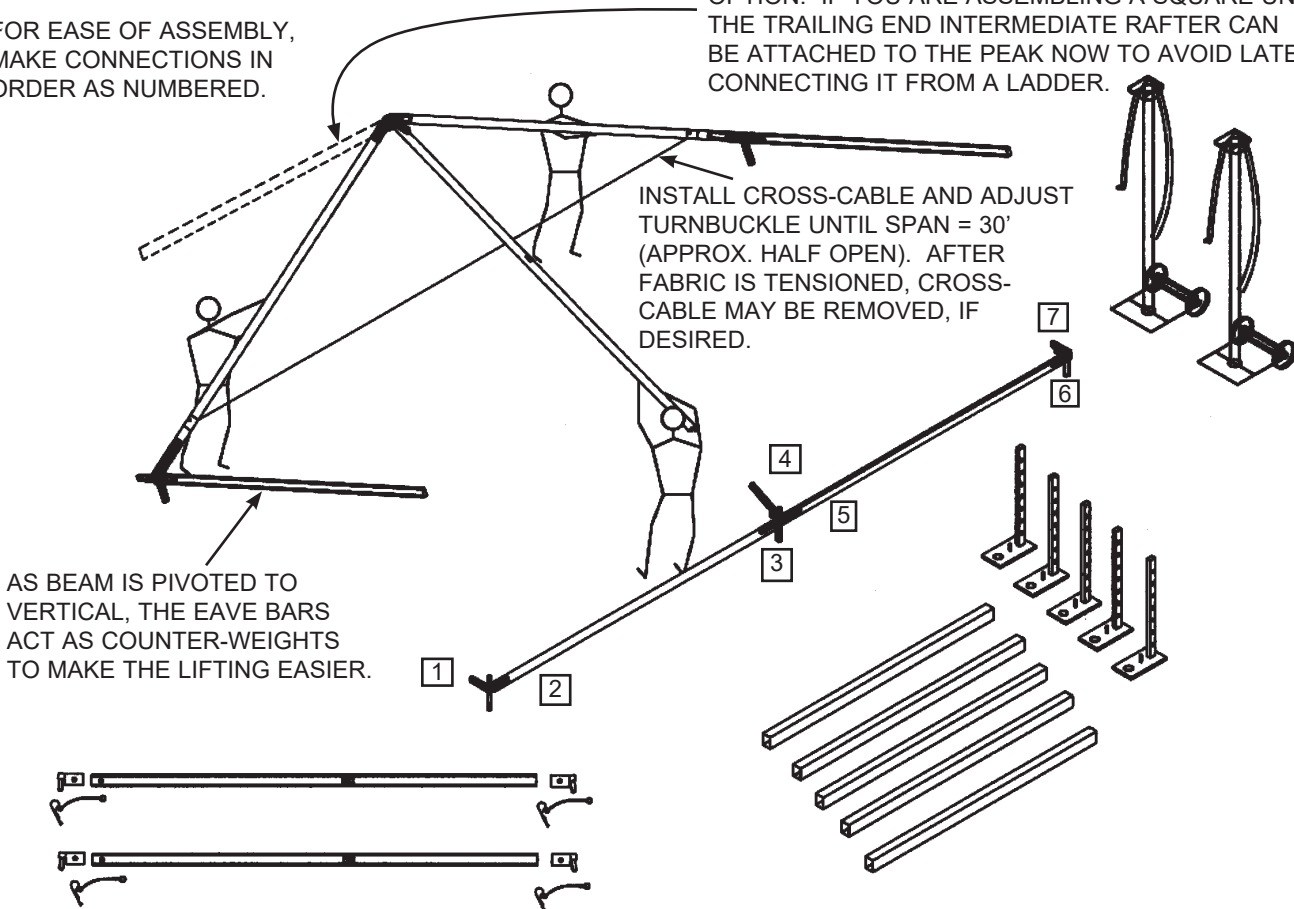
NOTE: ON END MODULES, EAVE FITTINGS FOR BOTH EAVES AND RAFTERS ARE RIGID SLIP JOINTS.



CONSTRUCT FIRST BEAM

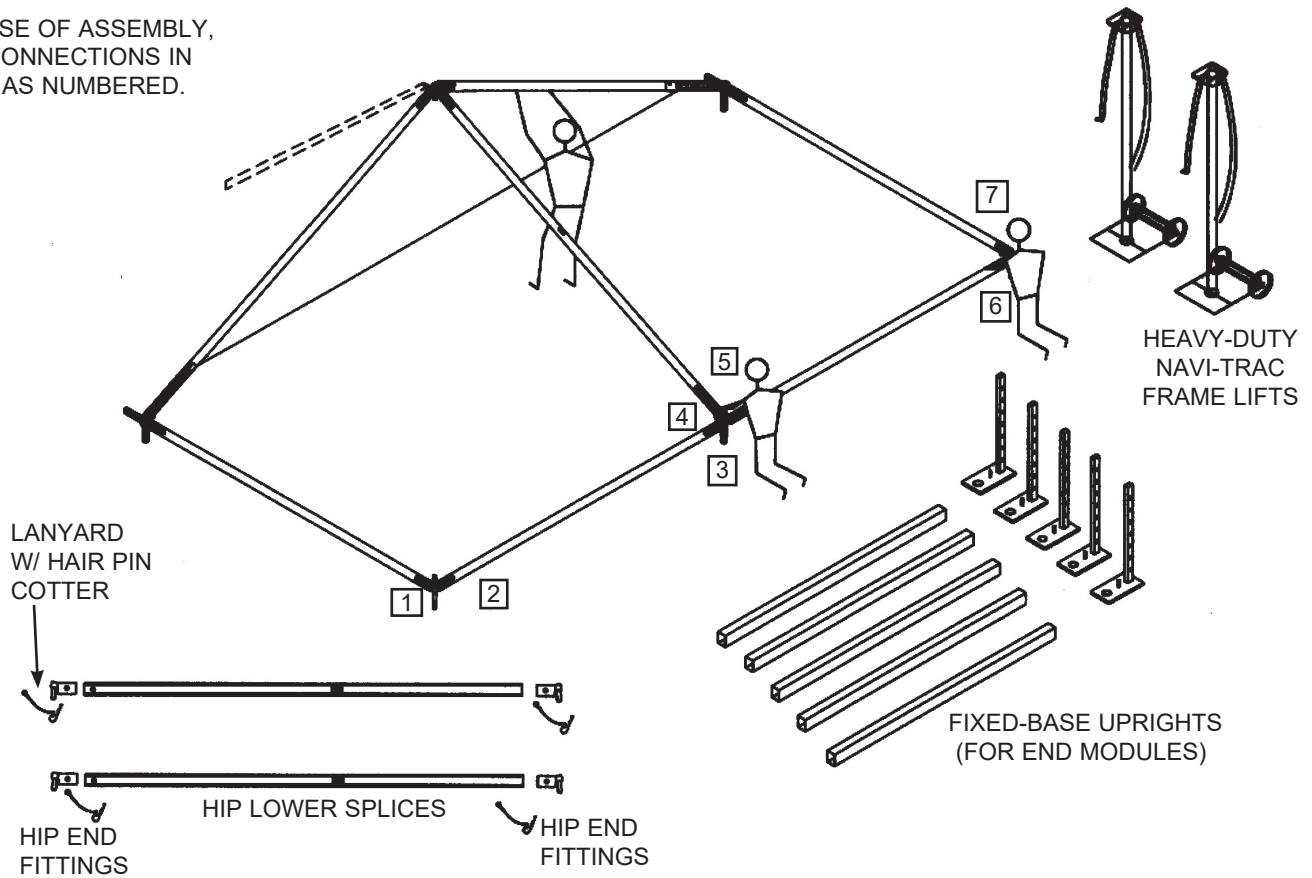
FOR EASE OF ASSEMBLY, MAKE CONNECTIONS IN ORDER AS NUMBERED.

OPTION: IF YOU ARE ASSEMBLING A SQUARE UNIT, THE TRAILING END INTERMEDIATE RAFTER CAN BE ATTACHED TO THE PEAK NOW TO AVOID LATER CONNECTING IT FROM A LADDER.



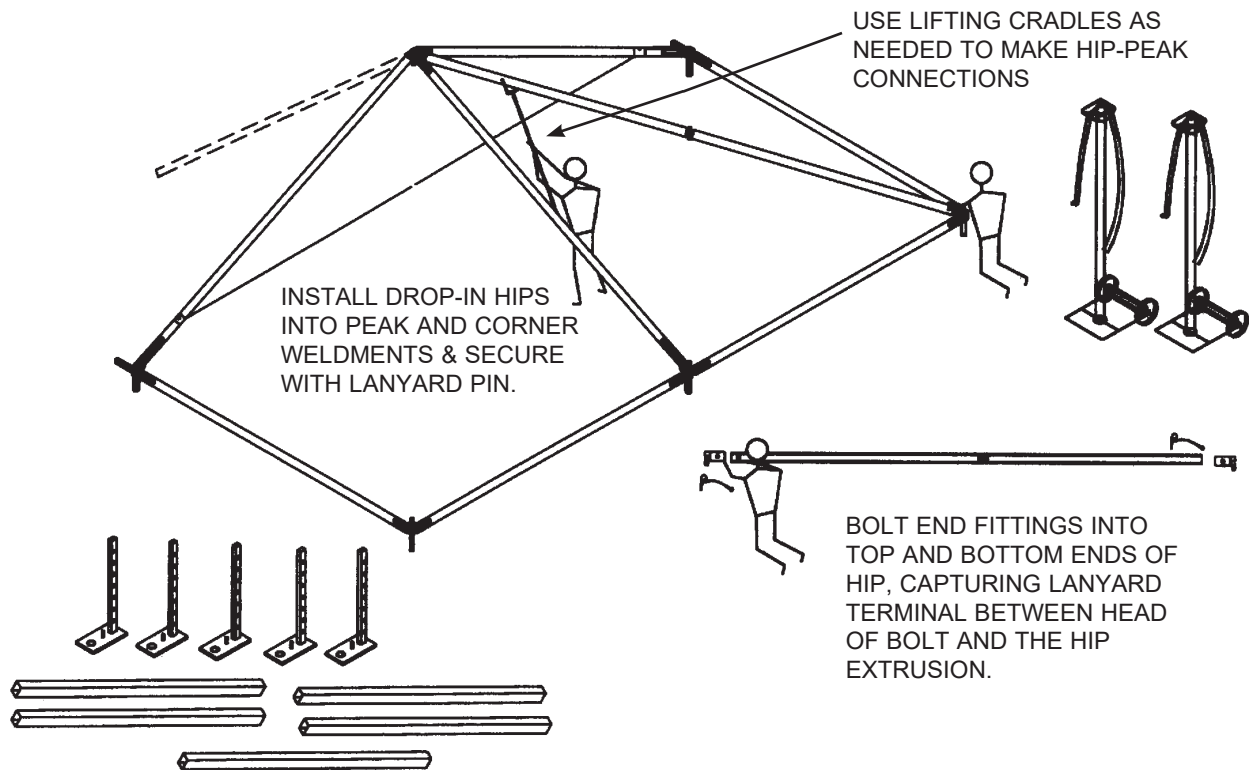
ASSEMBLING HIP END TOP FRAME

FOR EASE OF ASSEMBLY,
MAKE CONNECTIONS IN
ORDER AS NUMBERED.



COMPLETING HIP END TOP FRAME

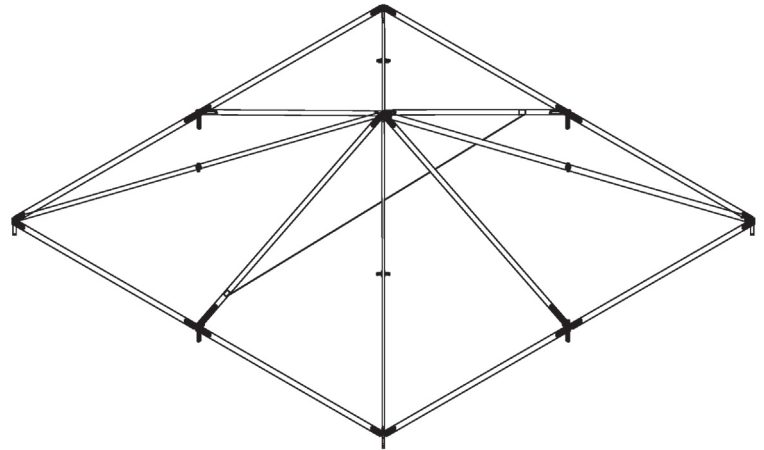
IF YOU ARE CONSTRUCTING AN EXTENDED
RECTANGULAR TENT, INSTALL FABRIC NOW.
IF YOU ARE CONSTRUCTING A SQUARE TENT,
PROCEED TO THE NEXT STEP.



SUMMARY OF STEPS FOR COMPLETING THE SQUARE TENT

1. INSTALL OPPOSITE EAVES, RAFTERS, HIPS AND HIP BRACES TO COMPLETE SQUARE FRAME.
2. USE PULL ROPES TO PULL TOP FABRIC KEDAR FOR EACH END UP AND OVER THROUGH THE CHANNELS ON EACH SIDE OF THE RAFTERS THAT ARE ALIGNED WITH THE RIDGE BRACE.
3. LET FABRIC LAY LOOSELY ON TOP OF FRAME. SECURE WITH ROPES AS NEEDED AGAINST THE BREEZE.
4. USE HEAVY-DUTY NAVI-TRAC FRAME LIFTS TO LIFT FRAME ONE SIDE AT A TIME TO INSERT UPRIGHTS UNDER THE TOP FRAME.
5. INSTALL KNEE BRACES AT ALL INTERMEDIATE UPRIGHTS AS THEY ARE INSTALLED.
6. STAKE BASE PLATES USING STAKING LAYOUTS.
7. USE WEB/RATCHETS TO TENSION CATENARY FABRIC ARCHES TO UPRIGHT LEGS.
8. GUY TENT OUT AND STAKE. CONSULT STAKING GUIDELINES ON PAGE 12.

SQUARE UNIT TOP FRAME COMPLETE



INSTALLING FABRIC ON HIP END FRAMES

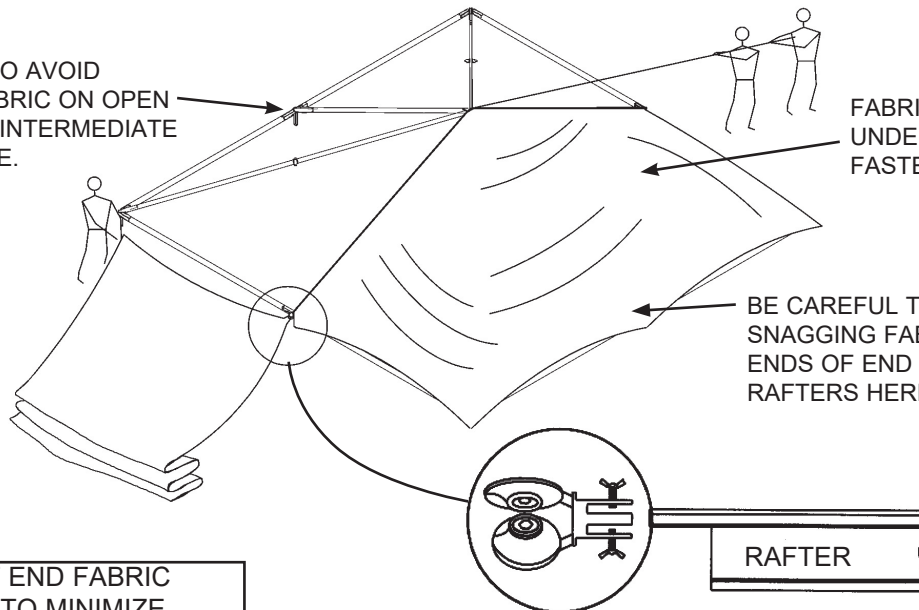
NOTE: BEFORE INSTALLING FABRIC, INSPECT THE FRAME TO ENSURE ALL HIP PINS ARE PROPERLY SEATED IN THE WELDMENT FITTINGS AND SECURED WITH LANYARD PINS.

PULL FABRIC UP AND OVER THROUGH CHANNEL IN NAVI-TRAC RAFTER EXTRUSIONS. EACH HIP END IS ONE-PIECE. LET FABRIC TAILS HANG LOOSE UNTIL FRAME HAS BEEN LIFTED AND UPRIGHTS HAVE BEEN INSTALLED.

BE CAREFUL TO AVOID SNAGGING FABRIC ON OPEN ENDS OF END INTERMEDIATE RAFTERS HERE.

FABRIC STRAPS ON UNDERSIDE MUST FASTEN TO HIP.

BE CAREFUL TO AVOID SNAGGING FABRIC ON OPEN ENDS OF END INTERMEDIATE RAFTERS HERE.

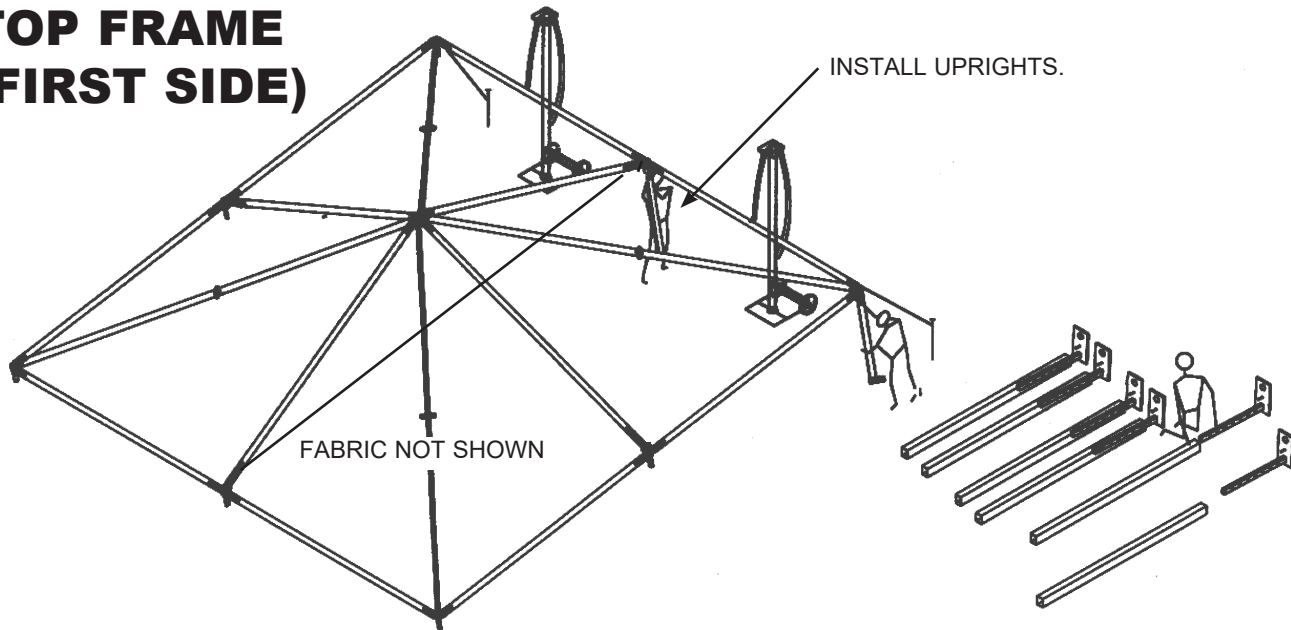


WHEELED PANEL GUIDE

INSERT FINGERS OF WHEELED PANEL GUIDE INTO OPEN END OF RAFTER AND WELDMENT. TIGHTEN BUTTERFLY NUT. REVERSE FOR OPPOSITE SIDE OF BEAM.

NOTE: TO ENSURE THAT END FABRIC GOES IN SMOOTHLY AND TO MINIMIZE CHANCE OF DAMAGE TO FABRIC, ALWAYS USE THE WHEELED PANEL GUIDE TO FEED KEDAR INTO FRAME CHANNELS. SEE PAGE 17 FOR INFORMATION ON HOW TO ATTACH PULL ROPES TO FABRIC.

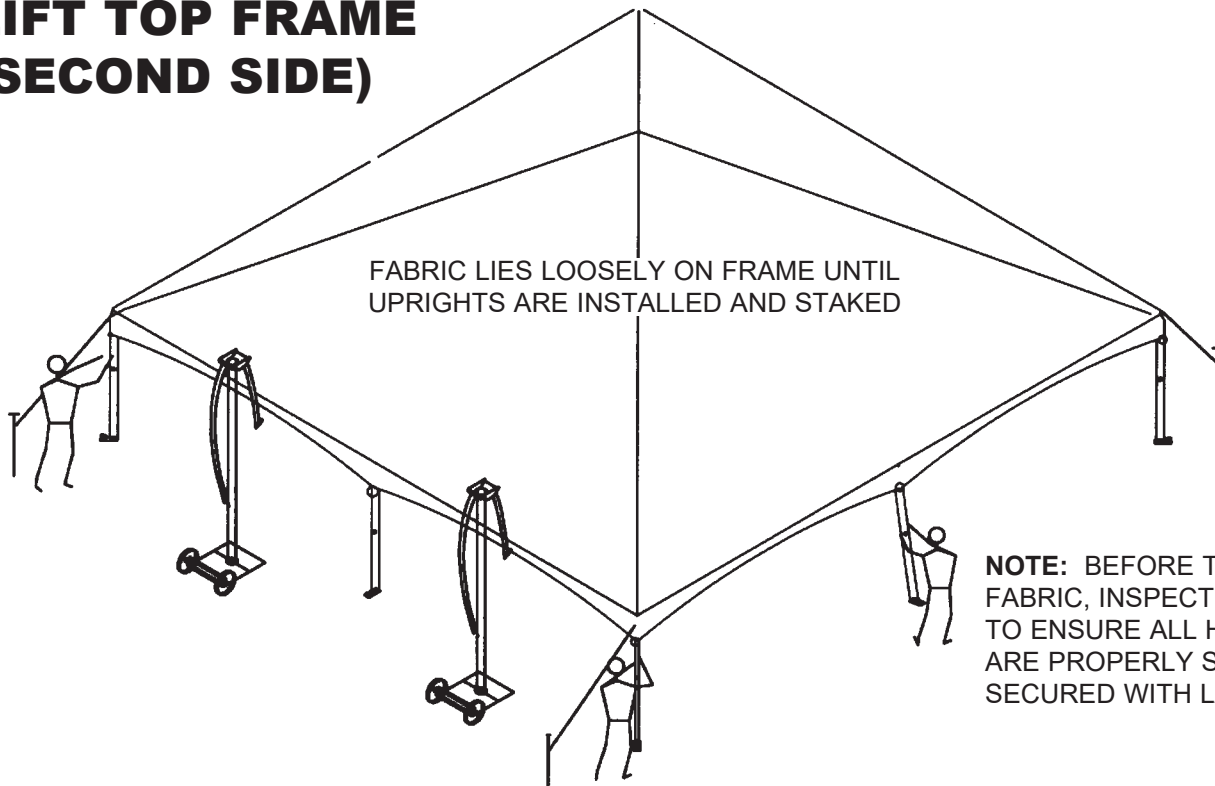
LIFTING TOP FRAME (FIRST SIDE)



USING HEAVY-DUTY NAVI-TRAC FRAME LIFTS, LIFT ONE SIDE OF FRAME. SLIDE UPRIGHTS ONTO BOTTOM OF WELDMENTS ON THE RAISED SIDE AND PIN. BE SURE ALL RAFTER AND HIP PINS ARE SECURED WITH LANYARDS.

INSERT BASEPLATES INTO UPRIGHTS AND BOLT. NOTE: SQUARE FRAMES AND END MODULE FRAMES MUST USE FIXED BASEPLATES. HINGED PLATES ARE TO BE USED ONLY ON PIVOTING MIDDLE BEAMS FROM THE EXTENSION FRAME SETS.

LIFT TOP FRAME (SECOND SIDE)

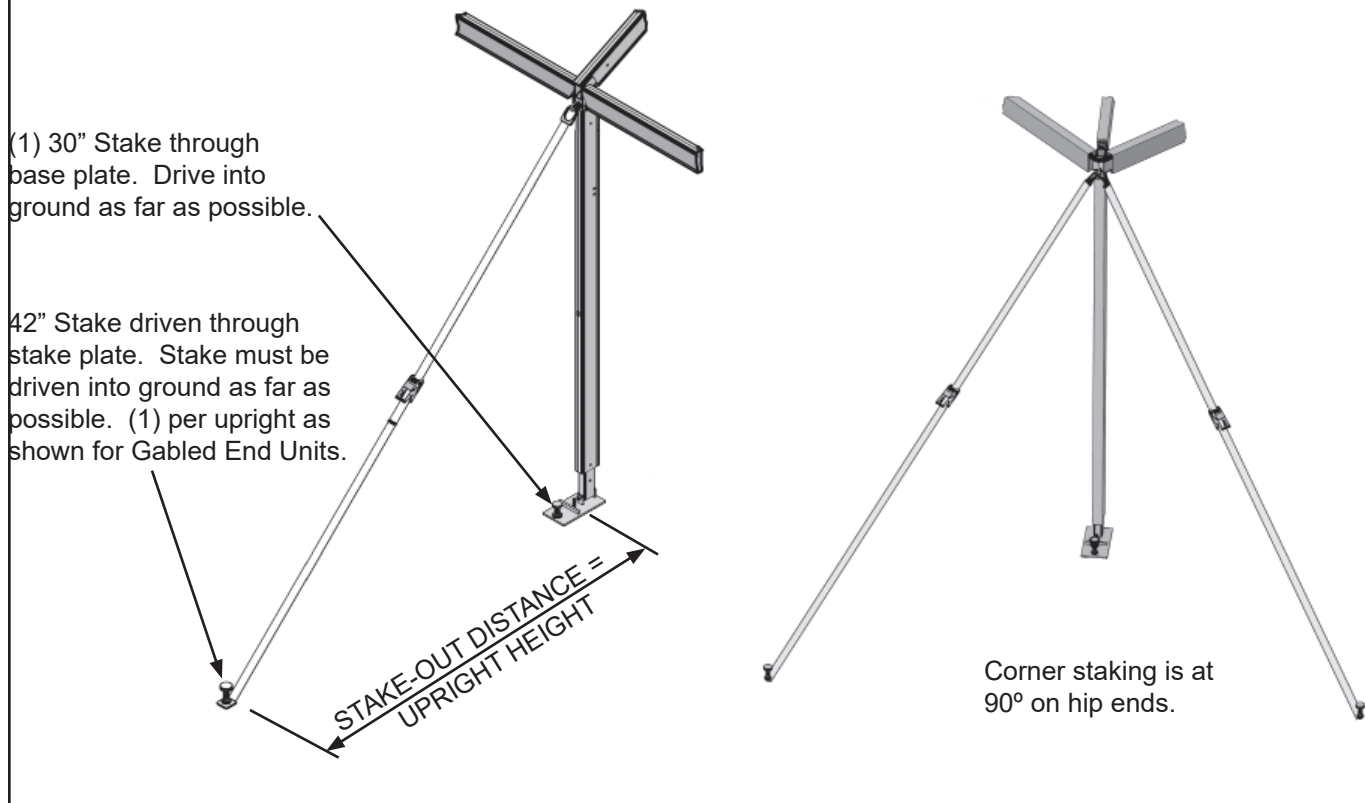


NOTE: BEFORE TENSIONING FABRIC, INSPECT THE FRAME TO ENSURE ALL HIP PINS ARE PROPERLY SEATED AND SECURED WITH LANYARD PINS.

1. LIFT 2ND SIDE OF FRAME TO INSTALL OPPOSITE SIDE CORNER AND INTERMEDIATE UPRIGHTS.
2. INSTALL UPRIGHT BRACES AT ALL INTERMEDIATE UPRIGHTS.
3. WHEN BRACES ARE INSTALLED, THE CROSS-CABLE CAN BE REMOVED.

WEB GUY - STAKING GUIDELINES

REQUIRED DISTANCE OUT BETWEEN FRAME UPRIGHTS AND STAKE LINE IS EQUAL TO THE UPRIGHT HEIGHT.
(FOR EXAMPLE, 8' UPRIGHT = 8' STAKE-OUT DISTANCE.)

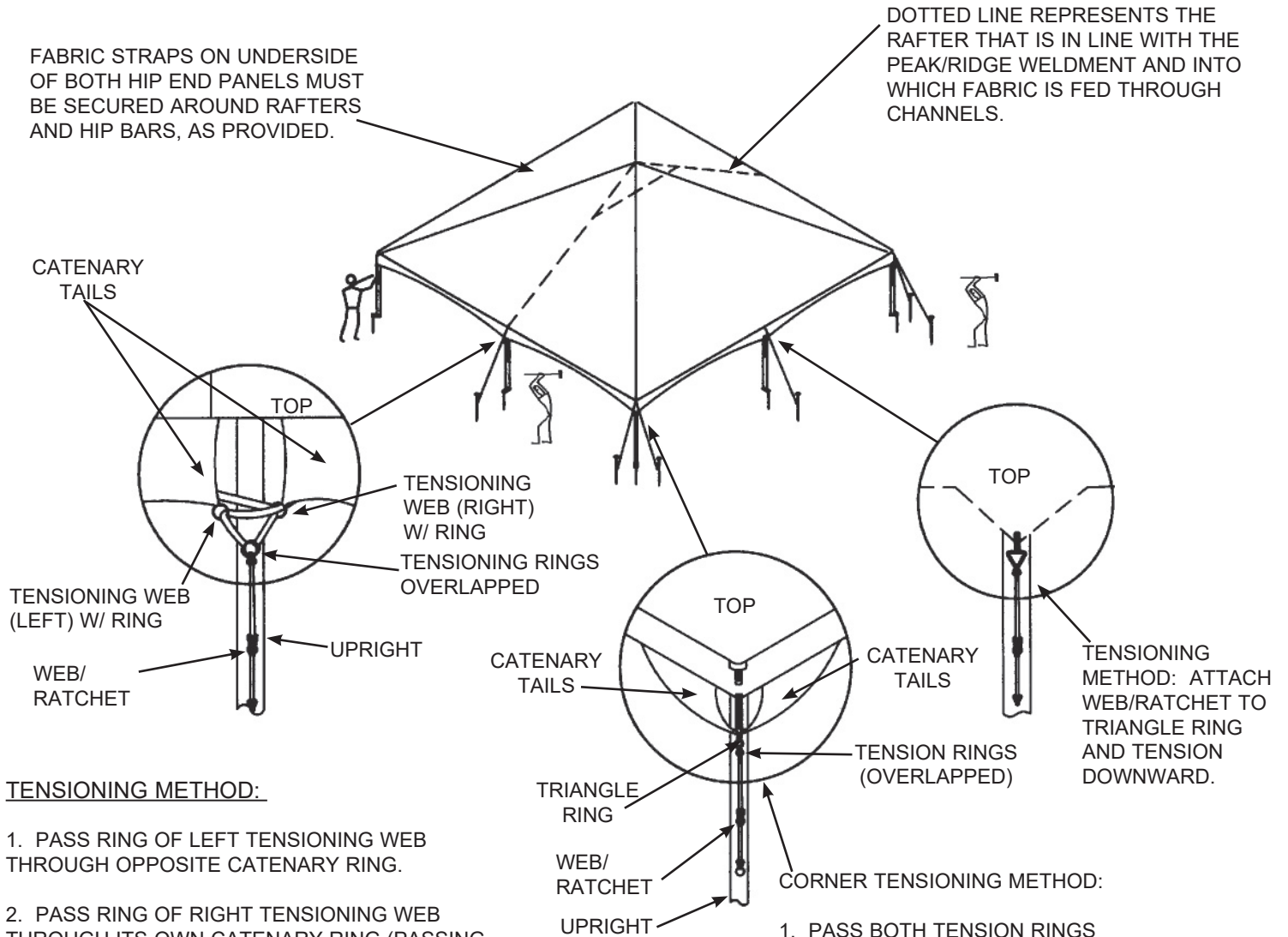


*** IMPORTANT NOTE:** REFER TO CAUTION STATEMENT #2 FOR IMPORTANT WARNING ABOUT NUMBER OF STAKES SUPPLIED. (SEE BACK PAGE OF THIS MANUAL)

THE INSTALLER MUST USE THE LOCAL SOIL CONDITIONS TO CALCULATE THE ACTUAL NUMBER OF STAKES REQUIRED AND IS RESPONSIBLE FOR THE STAKING PATTERN AND CONFIGURATION. ANCHOR PROVIDES ANCHORING PACKAGES FOR COMMON SOIL CLASSIFICATIONS; CONTACT YOUR TENT SALES REPRESENTATIVE FOR MORE INFORMATION.

TENSIONING AND GUYING

1. USE WEB/RATCHETS TO SECURE CATENARY ARCHES TO UPRIGHTS, STAKE BASEPLATES BEFORE TENSIONING WEBS.
2. ATTACH GUY WEBS TO EAVE WELDMENTS AND STAKE OUT AT A 45 DEGREE ANGLE (DISTANCE OUT = HEIGHT OF UPRIGHT, USUALLY 8 FT. USE 42" STAKES PROVIDED).
3. AT DOUBLE-GUYED CORNERS, GUYS FORM A 90 DEGREE ANGLE.



TENSIONING METHOD:

1. PASS RING OF LEFT TENSIONING WEB THROUGH OPPOSITE CATENARY RING.
2. PASS RING OF RIGHT TENSIONING WEB THROUGH ITS OWN CATENARY RING (PASSING OVER THE LEFT WEB).
3. CONTINUE RING OF RIGHT TENSIONING WEB THROUGH OPPOSITE CATENARY RING.
4. OVERLAP BOTH TENSION RINGS. ATTACH WEB/RATCHET AND TENSION DOWNWARD AGAINST TENSION HOLE IN UPRIGHT. (CATENARY RINGS SHOULD MOVE CLOSER TOGETHER AS RATCHET IS TIGHTENED.)

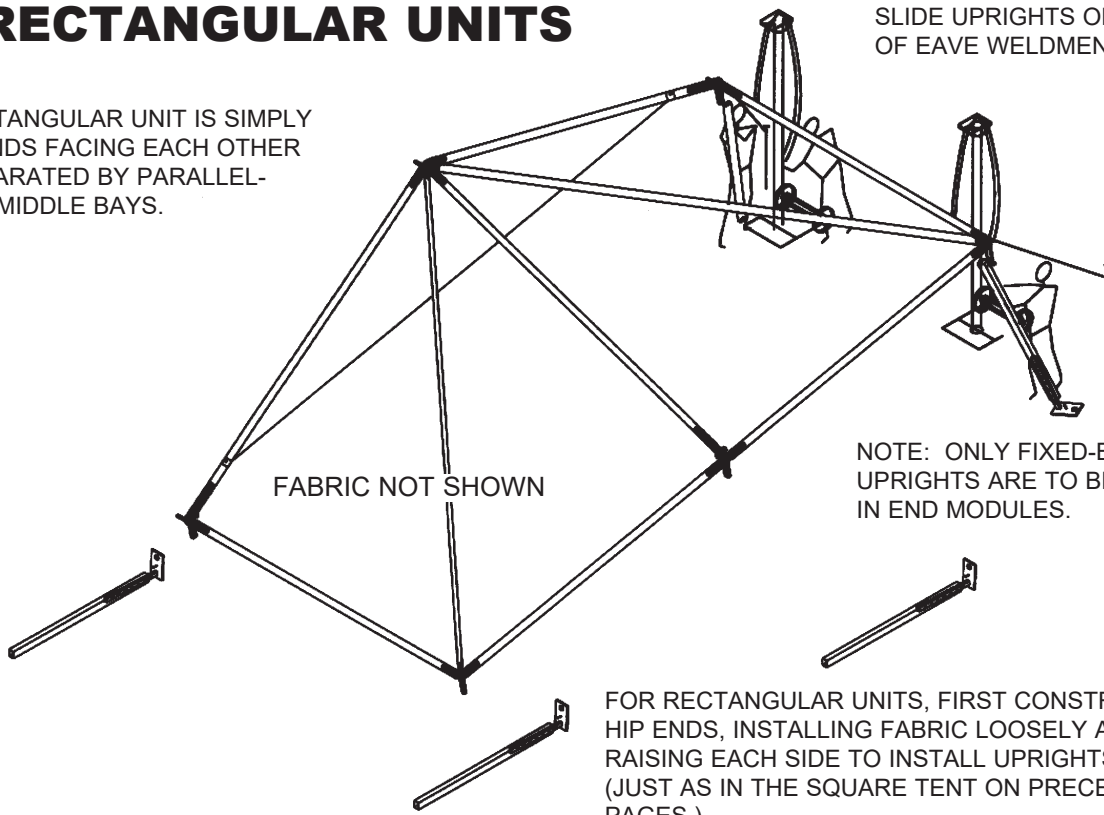
CORNER TENSIONING METHOD:

1. PASS BOTH TENSION RINGS THROUGH THE TRIANGLE RING.
2. OVERLAP THEM AND ATTACH WEB/RATCHET TO TENSION DOWNWARD.

HIP END MODULES FOR RECTANGULAR UNITS

LIFT FIRST SIDE OF FRAME AND
SLIDE UPRIGHTS ONTO BOTTOMS
OF EAVE WELDMENTS AND PIN.

THE RECTANGULAR UNIT IS SIMPLY
(2) HIP ENDS FACING EACH OTHER
AND SEPARATED BY PARALLEL-
BEAMED MIDDLE BAYS.

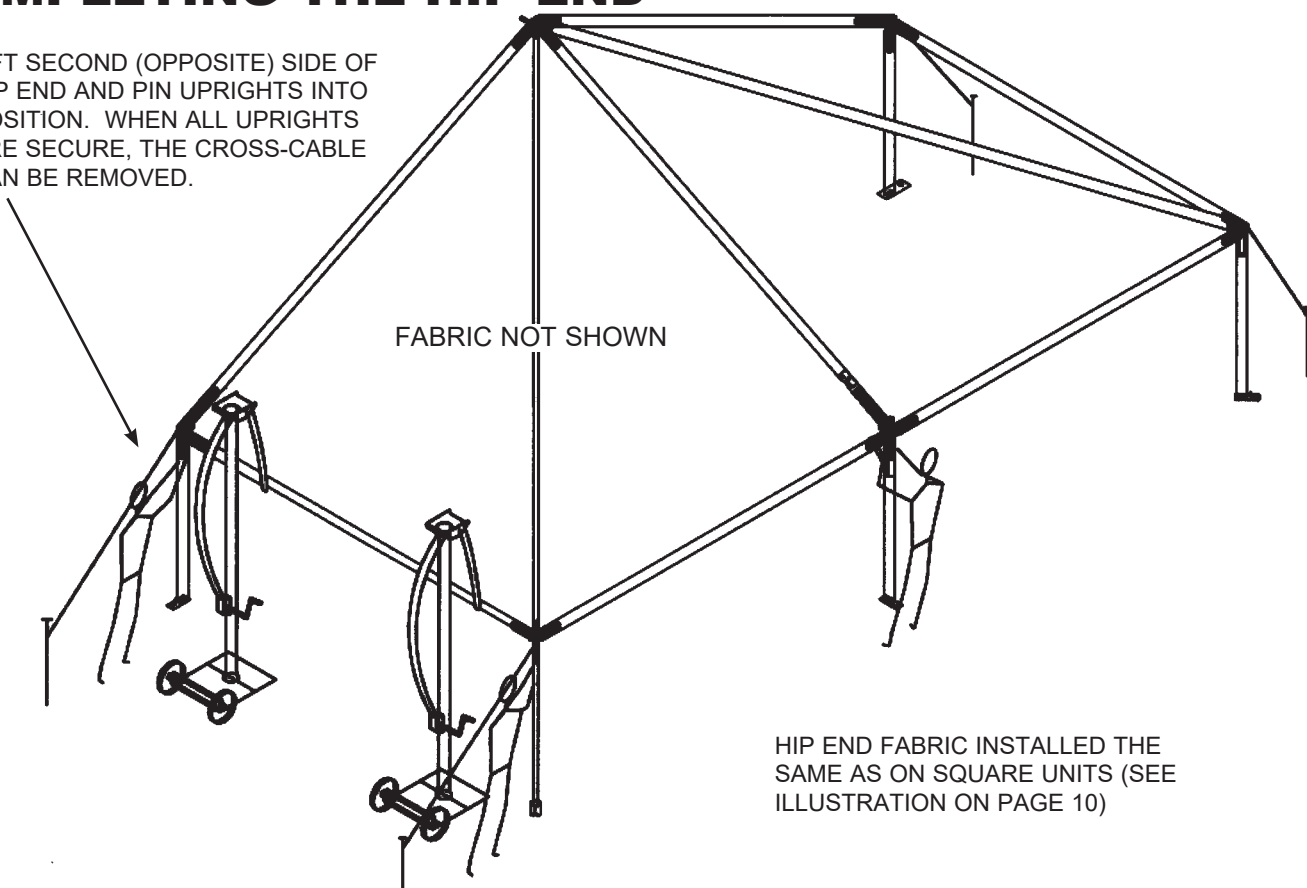


NOTE: ONLY FIXED-BASE
UPRIGHTS ARE TO BE USED
IN END MODULES.

FOR RECTANGULAR UNITS, FIRST CONSTRUCT
HIP ENDS, INSTALLING FABRIC LOOSELY AND
RAISING EACH SIDE TO INSTALL UPRIGHTS,
(JUST AS IN THE SQUARE TENT ON PRECEDING
PAGES.)

COMPLETING THE HIP END

LIFT SECOND (OPPOSITE) SIDE OF
HIP END AND PIN UPRIGHTS INTO
POSITION. WHEN ALL UPRIGHTS
ARE SECURE, THE CROSS-CABLE
CAN BE REMOVED.

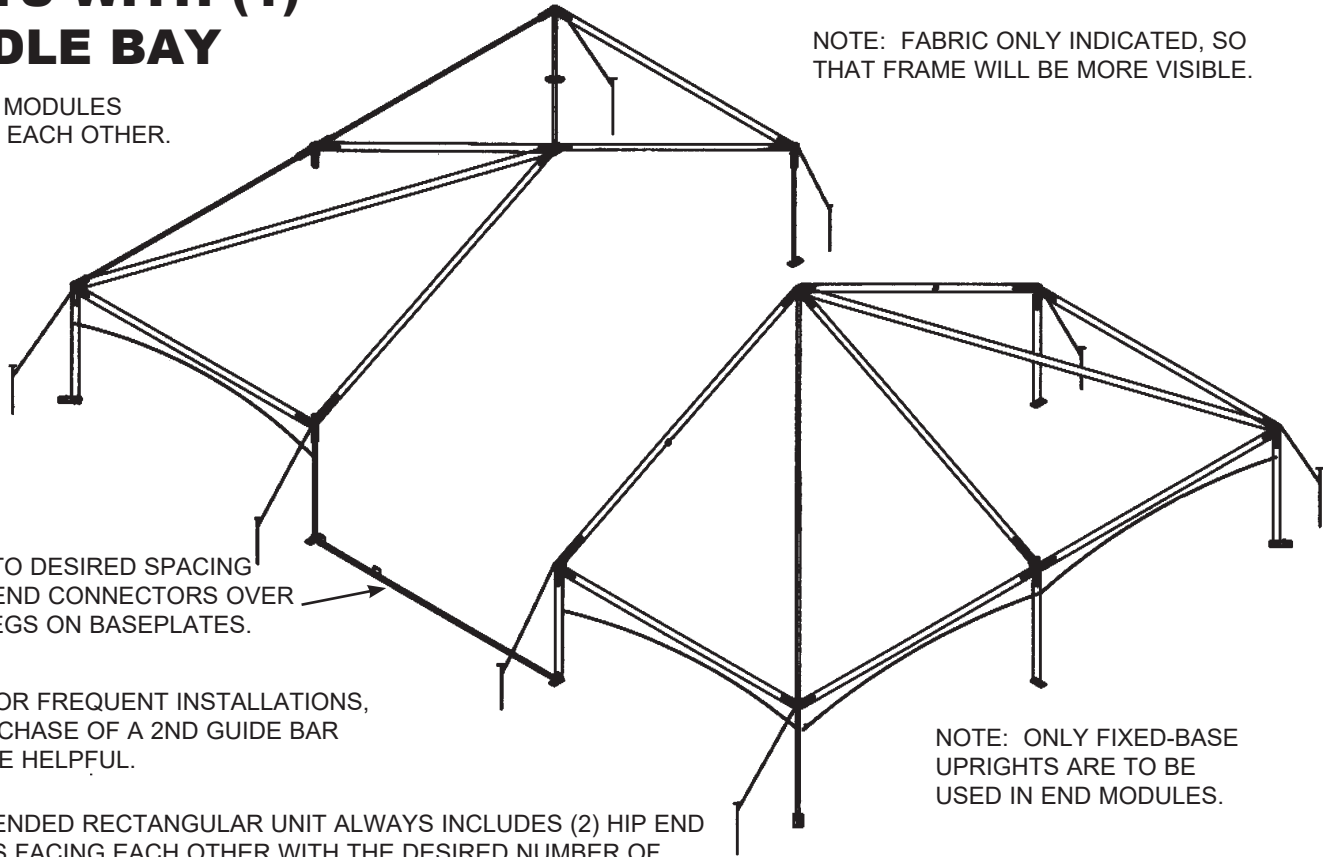


HIP END FABRIC INSTALLED THE
SAME AS ON SQUARE UNITS (SEE
ILLUSTRATION ON PAGE 10)

UNITS WITH (1) MIDDLE BAY

(2) END MODULES FACING EACH OTHER.

NOTE: FABRIC ONLY INDICATED, SO THAT FRAME WILL BE MORE VISIBLE.



ADJUST TO DESIRED SPACING AND FIT END CONNECTORS OVER GUIDE PEGS ON BASEPLATES.

NOTE: FOR FREQUENT INSTALLATIONS, THE PURCHASE OF A 2ND GUIDE BAR COULD BE HELPFUL.

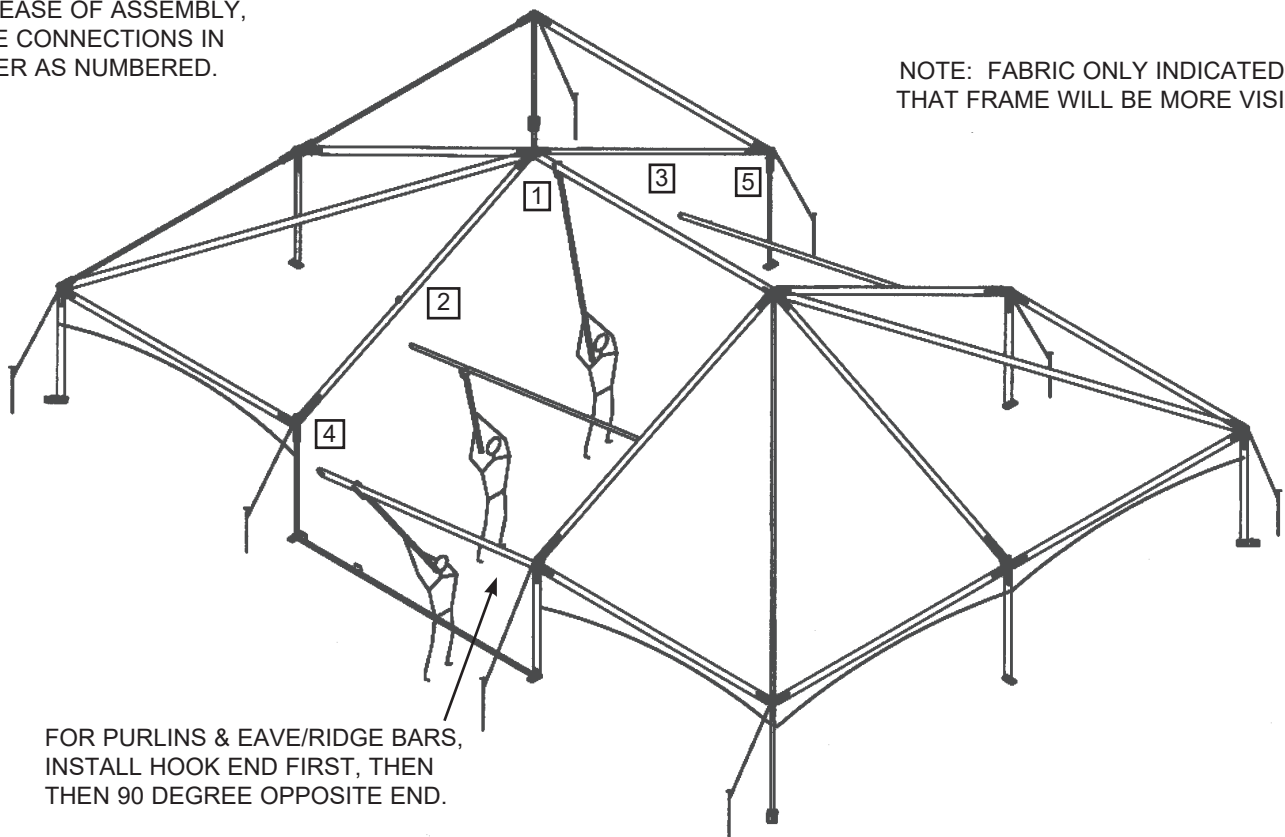
NOTE: ONLY FIXED-BASE UPRIGHTS ARE TO BE USED IN END MODULES.

THE EXTENDED RECTANGULAR UNIT ALWAYS INCLUDES (2) HIP END MODULES FACING EACH OTHER WITH THE DESIRED NUMBER OF 10', 15' OR 20' MIDDLE BAYS SEPARATING THEM. NOTE: UNLIKE THE RIGID EAVE AND LOWER RAFTER CONNECTIONS OF THE END MODULE, MIDDLE BAYS USE DROP-IN PURLINS AND EAVE/RIDGE BARS.

INSTALLING MID BAY PURLINS AND EAVE/RIDGE BARS

FOR EASE OF ASSEMBLY, MAKE CONNECTIONS IN ORDER AS NUMBERED.

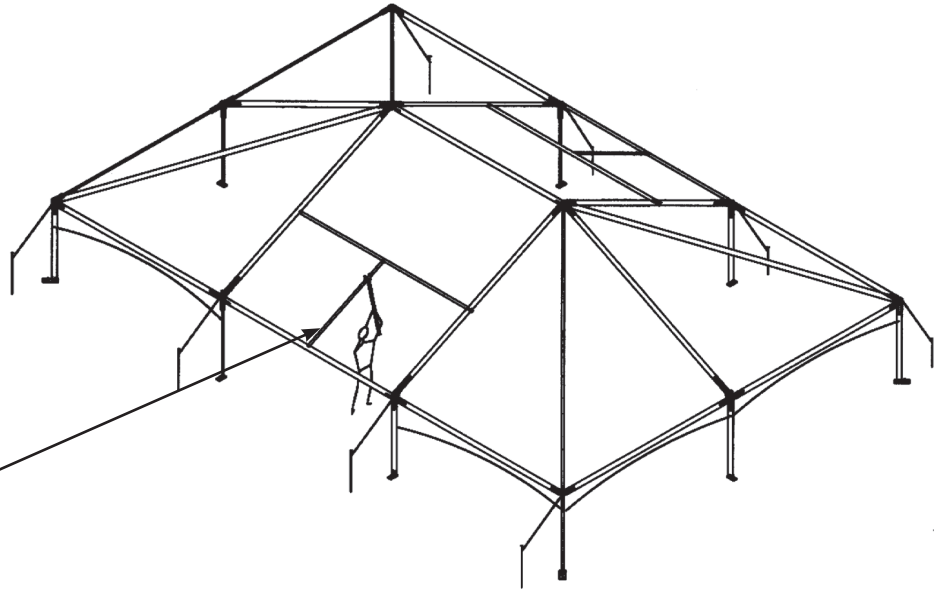
NOTE: FABRIC ONLY INDICATED, SO THAT FRAME WILL BE MORE VISIBLE.



FOR PURLINS & EAVE/RIDGE BARS, INSTALL HOOK END FIRST, THEN THEN 90 DEGREE OPPOSITE END.

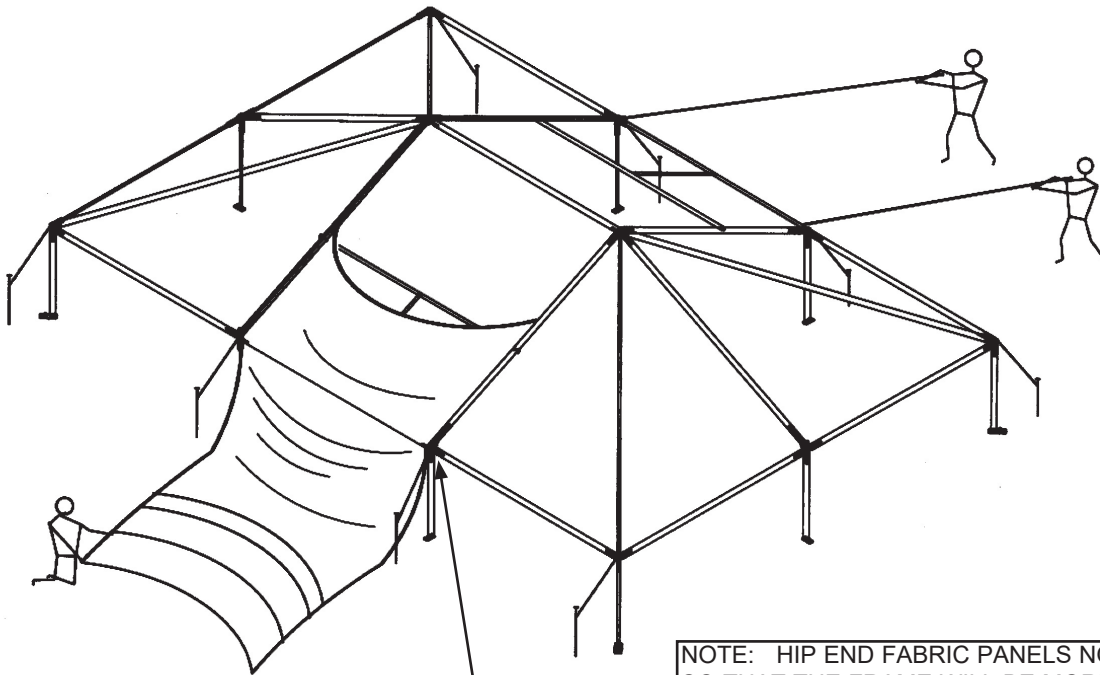
PURLIN SUPPORTS IN 20' MID BAYS

IN 20' MID BAYS, INSTALL A SUPPORT PURLIN BETWEEN THE EAVE AND THE PURLIN AT THE MID-RAFTER LOCATION. THIS SUPPORT WILL BRACE AGAINST INWARD DEFLECTION OF THE EAVE BAY THAT COULD OTHERWISE RESULT IN WATER PONDING IN THE 20 FT BAY.



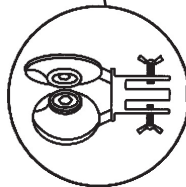
INSTALLING MID PANEL

PULL MID PANEL UP AND OVER THROUGH CHANNELS IN RAFTER EXTRUSIONS.



NOTE: HIP END FABRIC PANELS NOT SHOWN SO THAT THE FRAME WILL BE MORE VISIBLE.

NOTE: TO ENSURE THAT MID GOES IN SMOOTHLY AND TO MINIMIZE CHANCE OF DAMAGE TO FABRIC, ALWAYS USE THE WHEELED PANEL GUIDE TO FEED KEDAR INTO FRAME CHANNELS. SEE NEXT PAGE FOR INFORMATION ON HOW TO ATTACH PULL ROPES TO MIDS.



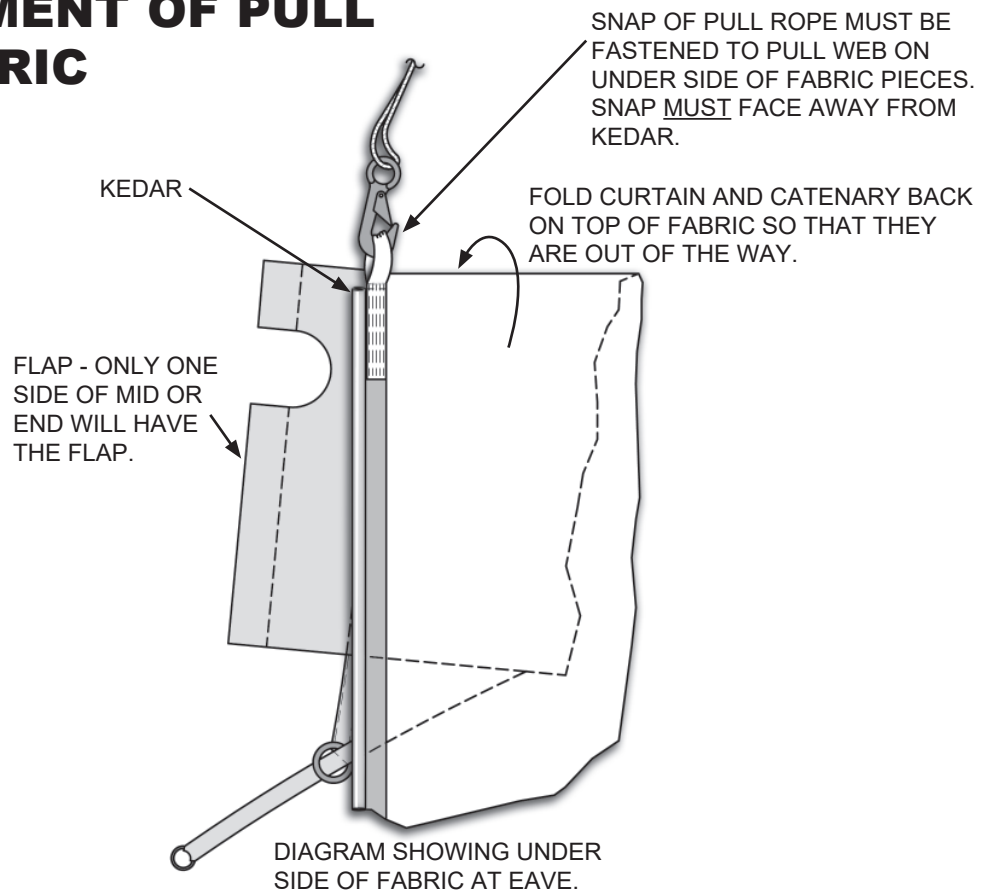
WHEELED PANEL GUIDE



RAFTER

INSERT FINGERS OF WHEELED PANEL GUIDE INTO THE OPEN END OF THE RAFTER AND WELDMENT. TIGHTEN THE BUTTERFLY NUT. REVERSE FOR OPPOSITE SIDE OF BAY.

SAFE ATTACHMENT OF PULL ROPES TO FABRIC



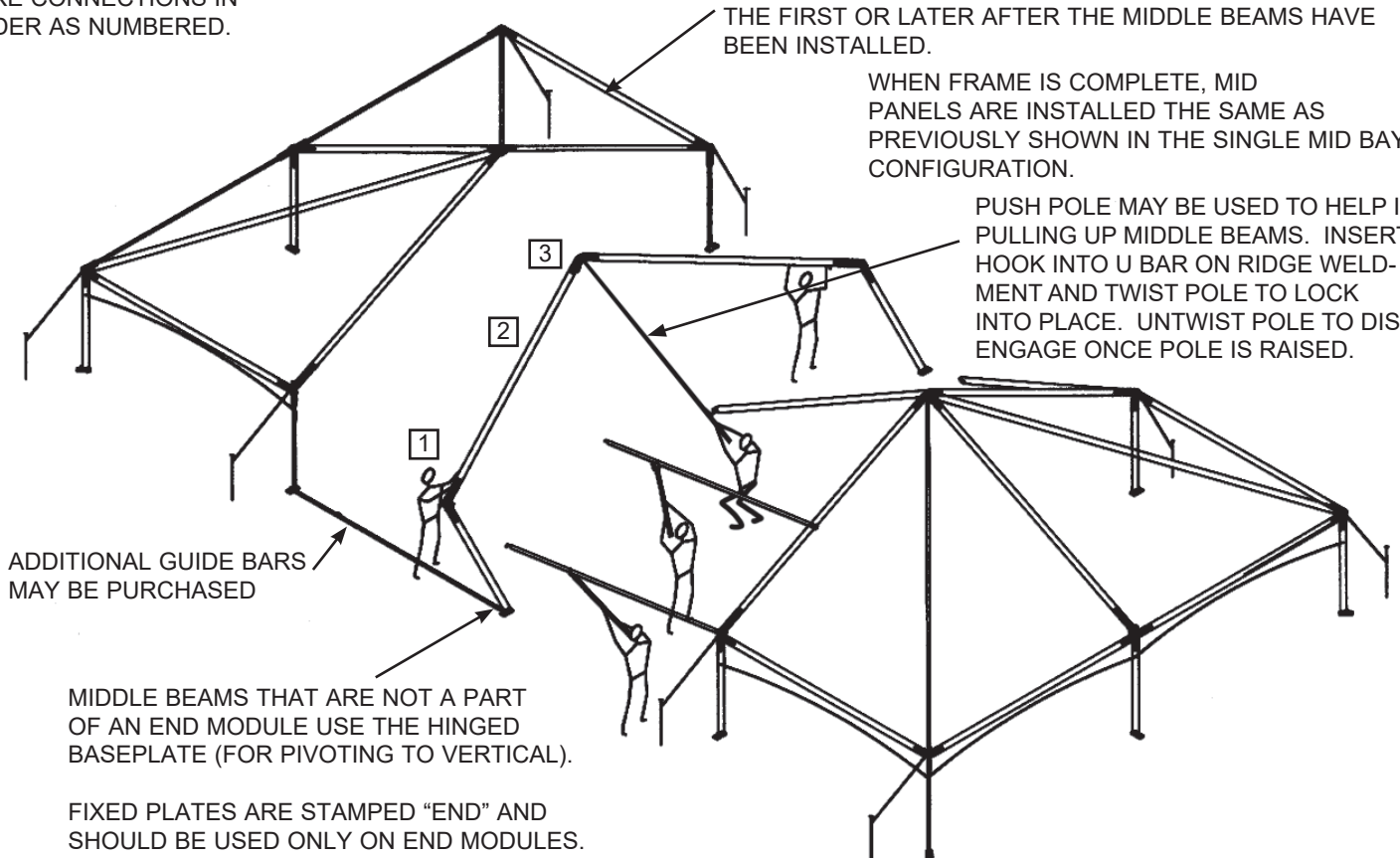
UNITS WITH (2) OR MORE MID BAYS

FOR EASE OF ASSEMBLY, MAKE CONNECTIONS IN ORDER AS NUMBERED.

IN UNITS WITH MULTIPLE MIDDLE BAYS, THE SECOND HIP END MODULE CAN BE ASSEMBLED AT THE SAME TIME AS THE FIRST OR LATER AFTER THE MIDDLE BEAMS HAVE BEEN INSTALLED.

WHEN FRAME IS COMPLETE, MID PANELS ARE INSTALLED THE SAME AS PREVIOUSLY SHOWN IN THE SINGLE MID BAY CONFIGURATION.

PUSH POLE MAY BE USED TO HELP IN PULLING UP MIDDLE BEAMS. INSERT HOOK INTO U BAR ON RIDGE WELDMENT AND TWIST POLE TO LOCK INTO PLACE. UNTWIST POLE TO DISENGAGE ONCE POLE IS RAISED.

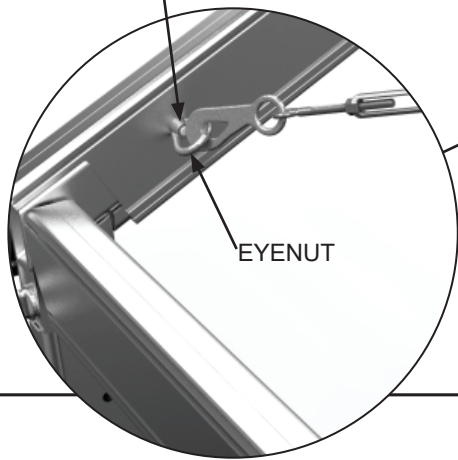


X-CABLED BAYS

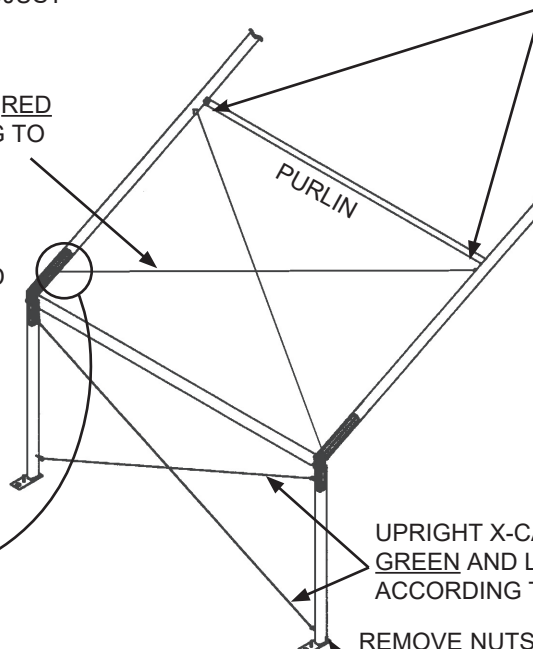
STAKE PLATES AT PROPER SPACING BEFORE INSTALLING THE X-CABLES. THEN, ADJUST TURNBUCKLES UNTIL CABLE IS SNUG

RAFTER X-CABLES ARE COLOR-CODED RED AND LABELED 10, 15, OR 20 ACCORDING TO BAY SIZE.

SUBSTITUTE BOLTS FOR PINS AT THE TOP OF BOTH UPRIGHTS AND BOTTOM OF BOTH RAFTERS. THREADS SHOULD POINT INWARD TOWARD CENTER OF BAY. THREAD CABLE EYE NUTS ONTO EACH BOLT TO SECURE THE CABLES AS SHOWN.



NAVI-TRAC UNITS W/OVER (6) BAYS BETWEEN HIP ENDS MUST HAVE AN X-CABLED BAY NEAR THE MIDDLE OF THE UNIT (AND/OR EQUALLY SPACED) FOR EVERY (6) NON-CABLED BAYS.



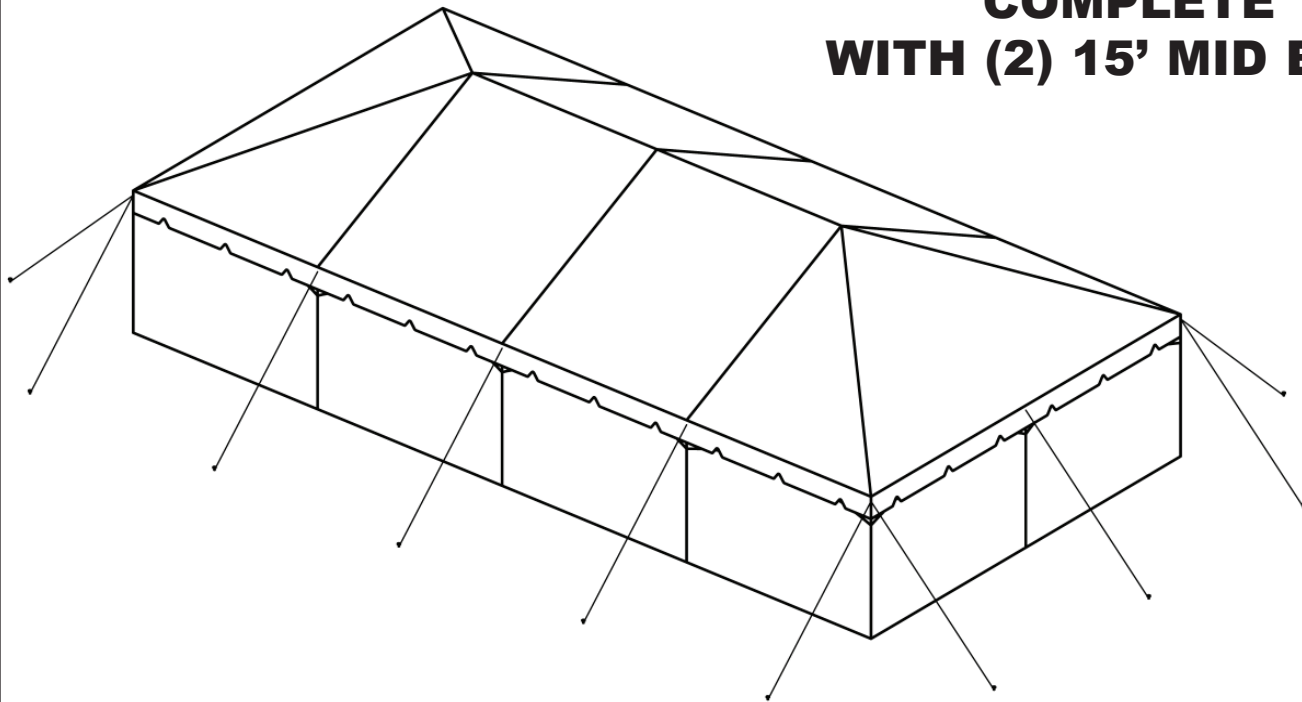
FOR CABLE CONNECTIONS AT MID PORTION OF RAFTERS, INSERT THE BOLTS IN THE HOLES OF THE RAFTER THAT ARE JUST BELOW THE PURLIN CONNECTION. THREADS SHOULD POINT INWARD TOWARD CENTER OF BAY. THREAD CABLE EYE NUTS ONTO EACH BOLT TO SECURE THE CABLES AS SHOWN.

X-CABLING IS IDENTICAL ON BOTH SIDES OF THE STRUCTURE.

UPRIGHT X-CABLES ARE COLOR-CODED GREEN AND LABELED 10, 15, OR 20 ACCORDING TO BAY SIZE.

REMOVE NUTS FROM THE BOLTS THAT PIN THE BASEPLATE TO THE UPRIGHT. TURN BOLTS SO THE THREADS ARE TO THE INSIDE (TOWARD CENTER OF BAY). THREAD CABLE EYE NUTS ONTO BOLTS TO SECURE THE CABLE.

30' NAVI-TRAC COMPLETE WITH (2) 15' MID BAYS



1. ALL ENGINEERING ON THE 30' NAVI-TRAC WAS DONE WITH THE WALLS IN PLACE. (FULLY ENCLOSED). SEE NEXT PAGE FOR SIDEWALL INSTALLATION.
2. INSTALL, STAKE, AND TENSION ALL GUY WEBS, AS SHOWN. TENSION FABRIC SO THAT ALL CATENARY ARCHES ARE EQUIDISTANT BELOW THE EAVE BARS.
3. REVIEW PAGE 12 FOR GUYING AND TENSIONING INSTRUCTIONS.

Wall Installation

Step 1

Determine which side of wall is inside and out. Ground bar pockets are on outside, Lace flap is on inside. Start by feeding top of kedar edge into channel opening until top of wall is as far as it will go. (Figure A)

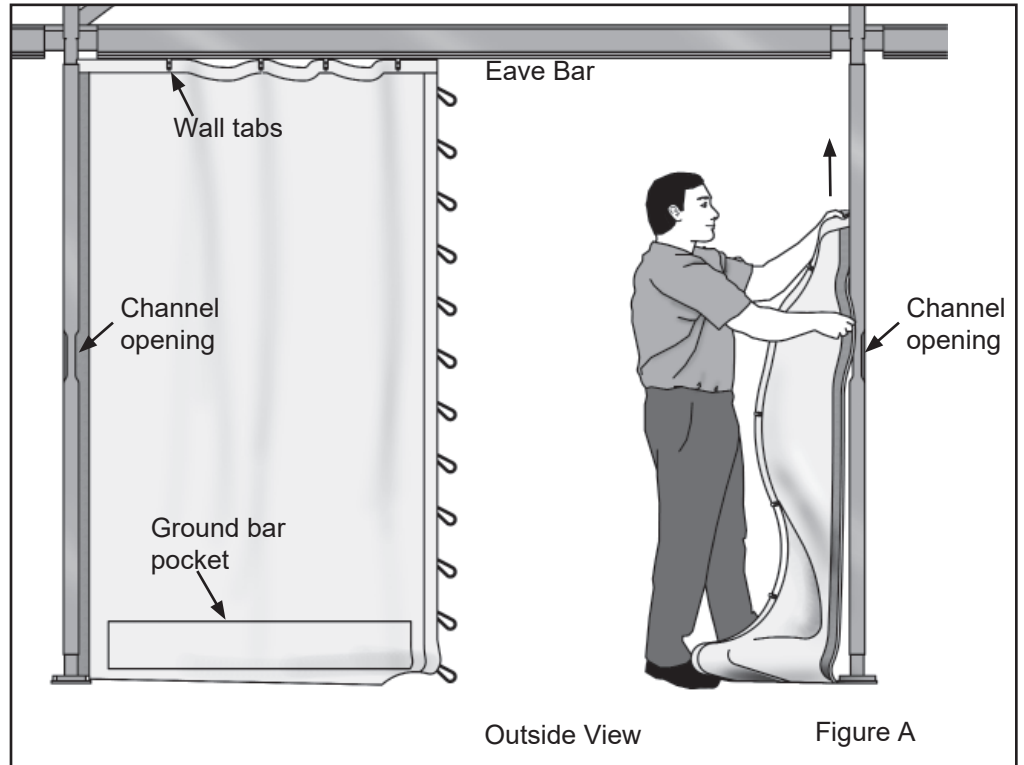
Insert the bottom edge of kedar into channel opening and feed down until wall is smoothly installed into upright.

Step 2

Starting with wall tab nearest the lace, insert into slotted opening in bottom channel of eave bar. Feed rest of wall tabs into channel.

Step 3

Repeat with the matching half of the wall.

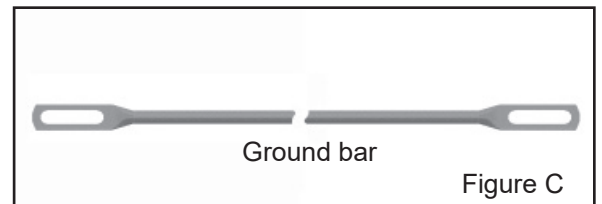
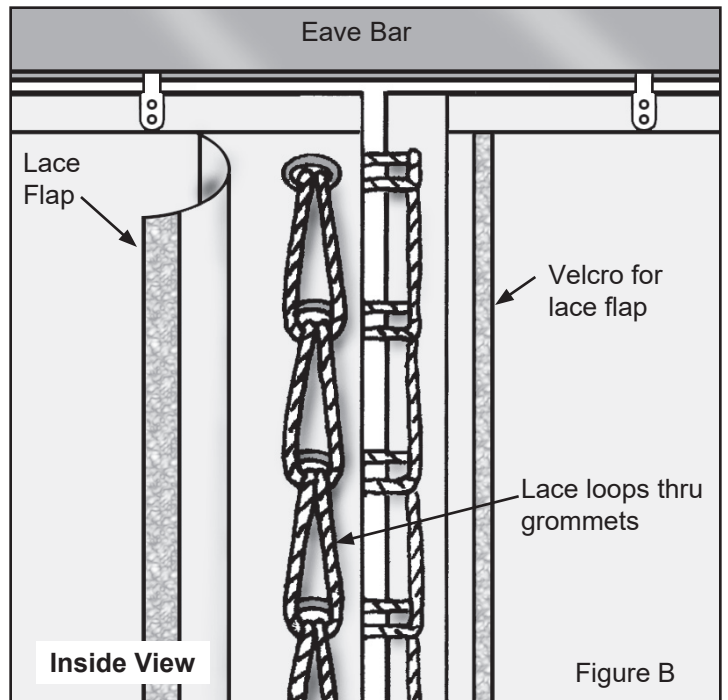


Step 4

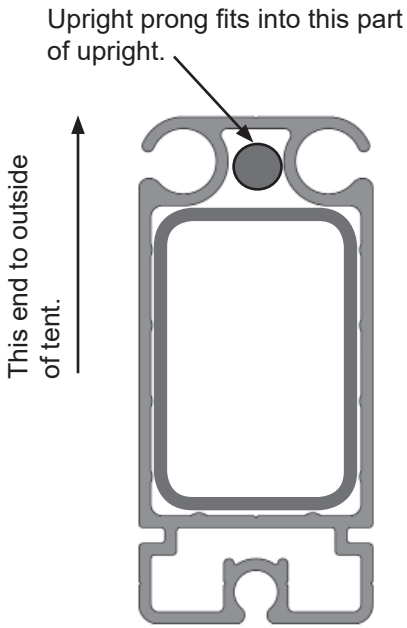
Lace wall starting at top of wall bringing top loop thru the top grommet of matching half of wall to inside of wall. Continue with this process looping next loop thru grommet and then the upper loop until all loops are laced. (See Figure B) Tie off bottom loop to keep lace together.

Step 5

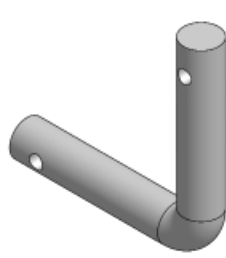
Slide ground bar (Figure C) thru pocket on outside of wall. Fasten to frame using the ground bar keeper as noted on next page.



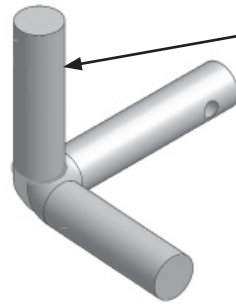
Navi-Trac Ground Bar Keeper Instructions



Cross sectional view of upright.



Groundbar keeper for intermediate upright.



Groundbar keeper for Corners.

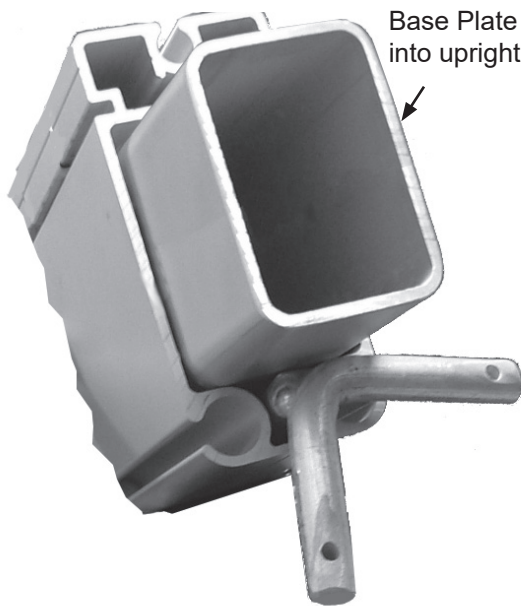
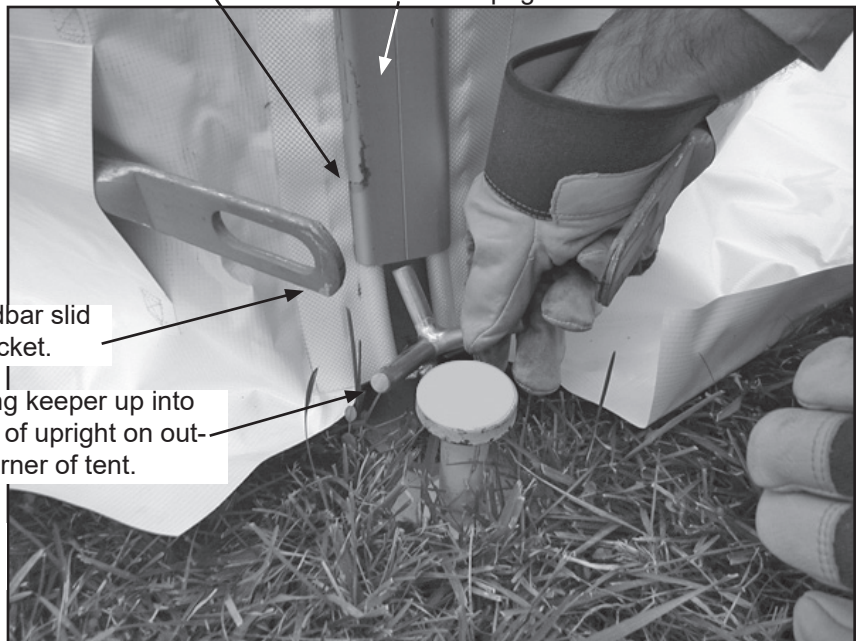
Prong with no hole inserts up into upright.

Wall with kedar already slid into upright.

Corner Upright

Groundbar slid into pocket.

Inserting keeper up into bottom of upright on outside corner of tent.



Base Plate Inserted into upright.



Slide groundbars onto prongs and pin into place as shown.

Bottom View looking up into upright with Groundbar keeper inserted.



PHONE NUMBER
812 · 867 · 2421

FAX NUMBER
812 · 867 · 1429

Anchor products are of superior design and operate best within the parameters of these instructions. It is imperative that the instructions be carefully read and **COMPLETELY FOLLOWED**. Please read installation instructions before the installation or removal of this product. Installation instructions are available online at www.anchorinc.com or by calling 1-800-544-4445.



1. For each installation, the installer is solely responsible for evaluating the site and the proper securing method determined. Some soils require different staking or securing than that provided with the tent. Due to this variety of soil conditions, these are the manufacturer's suggested sequence of installation procedures. Anchor's responsibility is limited to the manufacture of the tent parts and materials. We are not responsible for methods that installers may choose to erect and secure the tent to the ground.
2. The number of stakes suggested in the installation instructions do not necessarily meet all or any relevant codes on the site of the tent installation. The number of stakes suggested **will, in many cases, keep the tent erected**, however, due to various soil conditions; these stakes will be insufficient **to keep the tent secure in high winds**. It is the tent installer's responsibility, not the manufacturer, to determine the appropriate number of stakes to meet the necessary wind loads on the site. Regardless of the number of stakes we suggest, we make no representation or warranty as to whether this specific number of stakes will meet the local tent code. Anchor does not, nor can it make any suggestions, representation, or warranties about the adequate staking required at each specific installation site. Staking information provided in the installation instructions **is not a suggestion about what is necessary to meet a site-specific load**.

For additional important information, consult: "The IFAI Procedural Handbook For the Safe Installation and Maintenance of Tentage" and the IFAI Pocket Guide "Pullout Capacity of Tent Stakes", both available from the IFAI Tent Rental Division on their website (www.ifai.com).

3. Inasmuch as the weather is unpredictable, good judgment and common sense must be incorporated within installation guidelines. It is the responsibility of the tent installer/maintainer to determine the severity of the weather, proper time and method of installation and/or erection and disassembly. **Note: We recommend that snow and ice be removed from the tent surface as soon as possible because accumulation will damage the tent or fabric structure. Please consult with our Engineering Department about the maximum loads for each product.**

This product has been manufactured for use as a temporary structure. For the safety of all occupants, evacuation is recommended if threatening weather occurs, or if there is any doubt concerning the safe use of this product.

4. Proper safety equipment should be used at all times to insure a safe installation and take down. We suggest a careful evaluation be made to determine safety equipment needed, such as hard hats, steel-toe shoes, safety glasses and other as required. It is our desire that all installations are safe. Please be aware of hidden dangers both underground, i.e., gas lines, water lines, electrical lines, etc. and above the tent such as power lines and telephone lines.
5. Anchor stands behind its products in accordance with its standard Terms and Conditions of sale. A copy of our Terms and Conditions of Sale can be obtained by contacting Anchor at the telephone number and/or address on this document.