

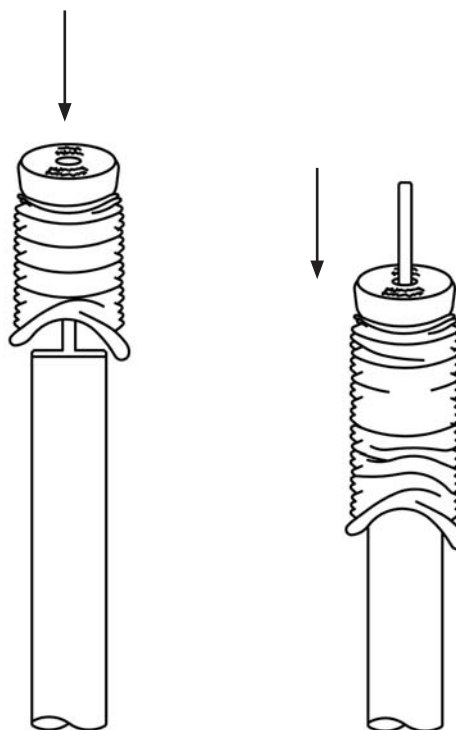
Installation Instructions

Center Pole Sleeve

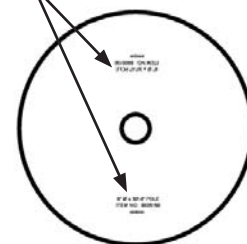
CENTER POLE SLEEVE

This center pole sleeve must be installed prior to raising the center pole.

1. Slip the sleeve over the top of the pole, pushing the pole pin thru the hole in the top of the sleeve.
2. It is advisable to keep the pole sleeve gathered up while the tent is being raised to prevent soiling the pole sleeve.



Top of pole sleeve has pole size and sleeve inventory number listed on top.



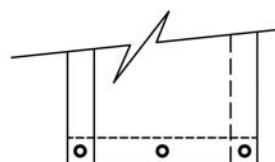
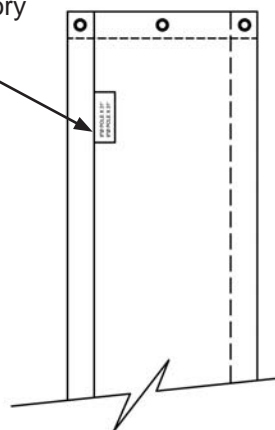
Top View of Pole Sleeve

CENTER POLE SLEEVE (Velcro Version)

This center pole sleeve may be installed prior to raising the center pole or after the pole is set-up.

1. Starting at the top of the pole, wrap sleeve around pole and close the velcro.
2. Use the supplied braided cord to keep the sleeve from falling down. It is advisable to keep the pole sleeve gathered up while the tent is being raised to prevent soiling the pole sleeve.

Label at top inside of pole sleeve lists pole size and sleeve inventory number



String cord thru grommets at top and around pole pin to secure pole sleeve.



7701 Highway 41 N
 Evansville, IN 47725
 Phone: 812-867-2421
 Fax: 812-867-1429
 1-800-544-4445

email: tents@anchorinc.com
 www.anchorinc.com