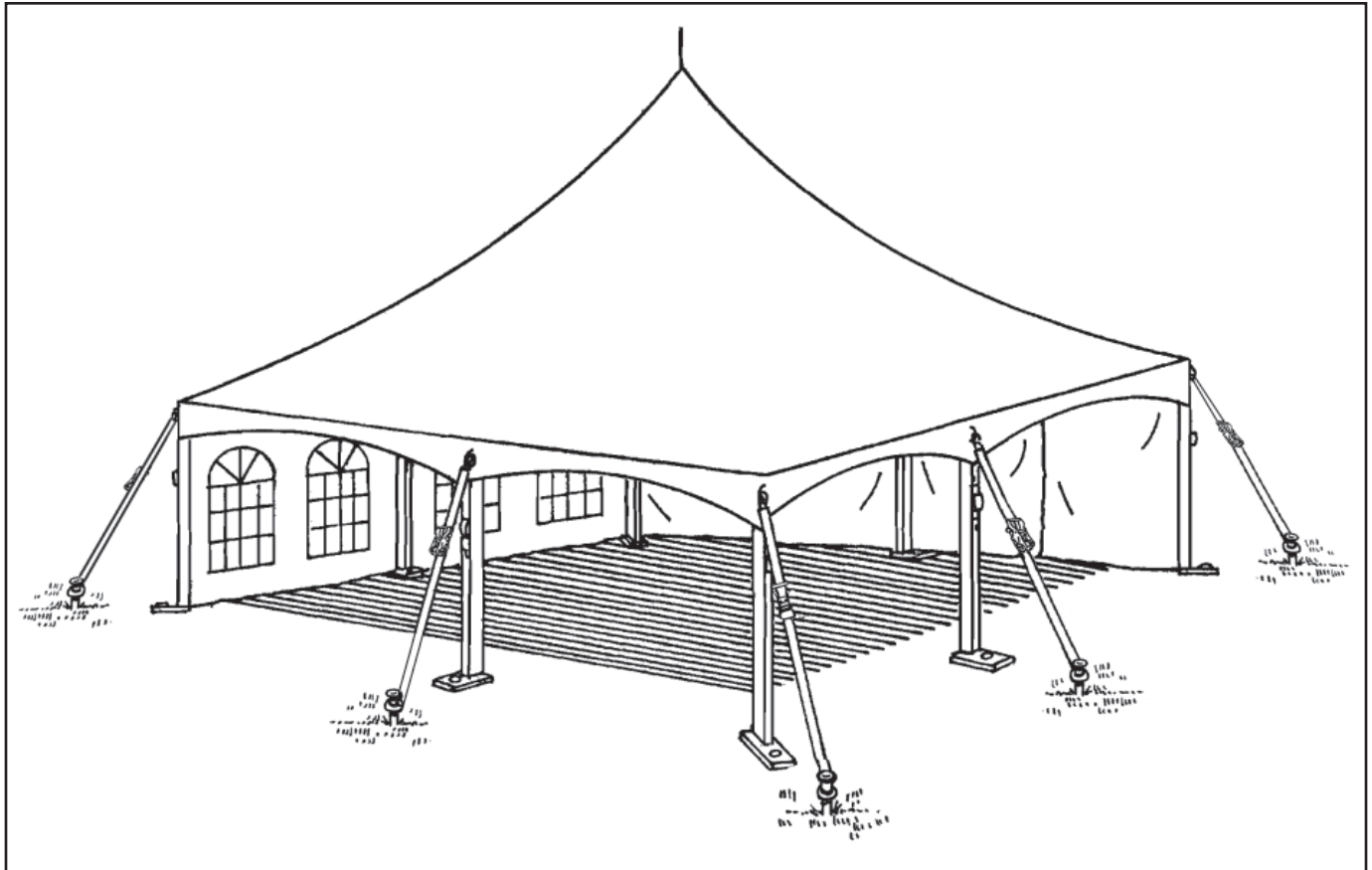


# Installation Instructions

## Century® Frame Tent System

### 30' x 30' Tent with Optional Walls



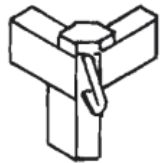
Please read all assembly / installation instructions before the installation or removal of this product.



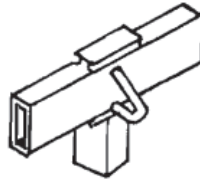
7701 Highway 41 N  
Evansville, IN 47725  
Phone: 812-867-2421  
Fax: 812-867-1429  
1-800-544-4445  
email: [tents@anchorinc.com](mailto:tents@anchorinc.com)  
[www.anchorinc.com](http://www.anchorinc.com)

# PARTS LIST

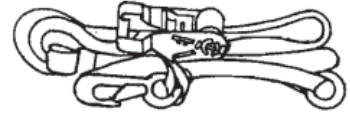
CHECKED    REQUIRED



CORNER WELDMENT



INTERMEDIATE WELDMENT



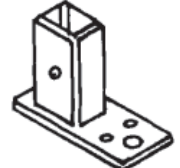
GUY WEB



TENSION STRAP



BAG W/TOP



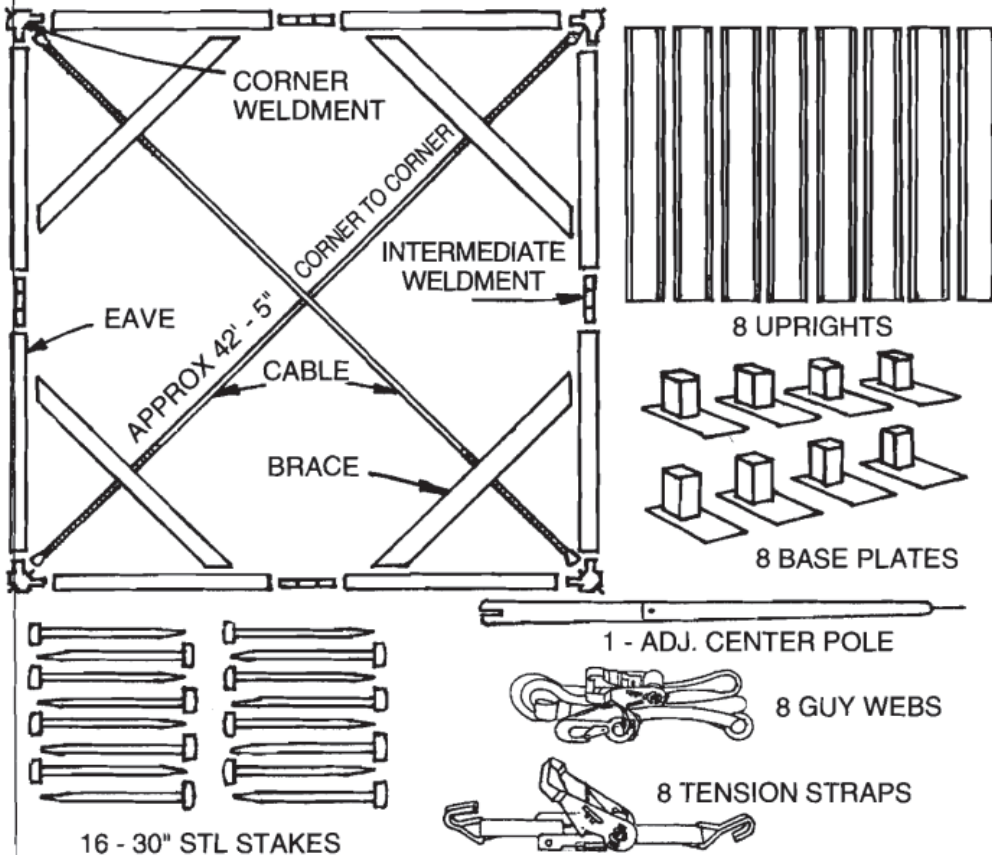
BASE PLATE

_____	1	BAG WITH TOP
_____	8	TENSION STRAPS
_____	8	UPRIGHTS
_____	8	15' EAVES
_____	4	BRACES
_____	1	ADJ. CENTER POLE
_____	8	BASE PLATES
_____	4	CORNER WELDMENT
_____	4	INTERMEDIATE WELDMENT
_____	16	30" STL STAKES
_____	2	CABLES
_____	8	GUY WEB
_____	8	WALLS, 2PC (OPTIONAL)

CHECKED BY: \_\_\_\_\_

DATE: \_\_\_\_\_

## IDENTIFY AND LAY OUT PARTS FOR ASSEMBLY



## MANPOWER REQUIRED

Three experienced installers should be able to assemble tent in less than forty-five minutes.

## TOOLS REQUIRED

Sledge Hammer  
 4' Step Ladder  
 (2) 9/16" Wrenches  
 (2) Fiesta Frame Lifts:  
 Optional, but recommended

## INSPECT SITE CAUTION:

Consult local Utility Co. prior to installation. Prior to assembly be sure to look around area for obstacles, pipes, wires, etc.

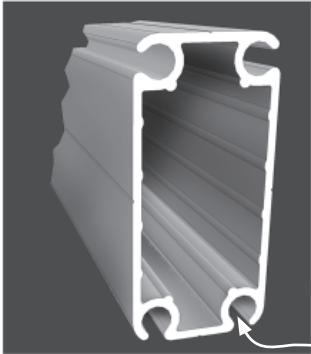
## LAYOUT & CHECK

Utilize parts list for a quick I.D. and a check list to ensure that you have all the parts.

1

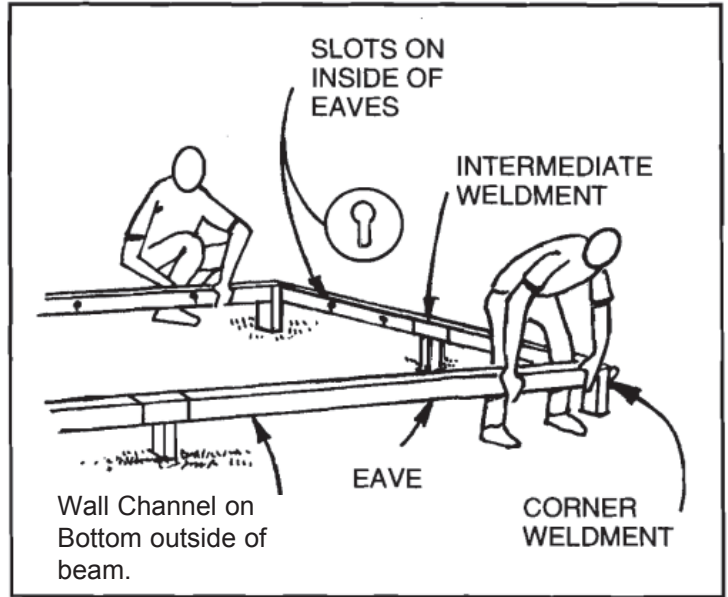
### ASSEMBLE EAVES

Join ends of eaves with corner and intermediate weldments. Rings on weldments must be on outside of eave.



Century Frame Extrusion

Wall Hangs in Bottom Outside Channel.

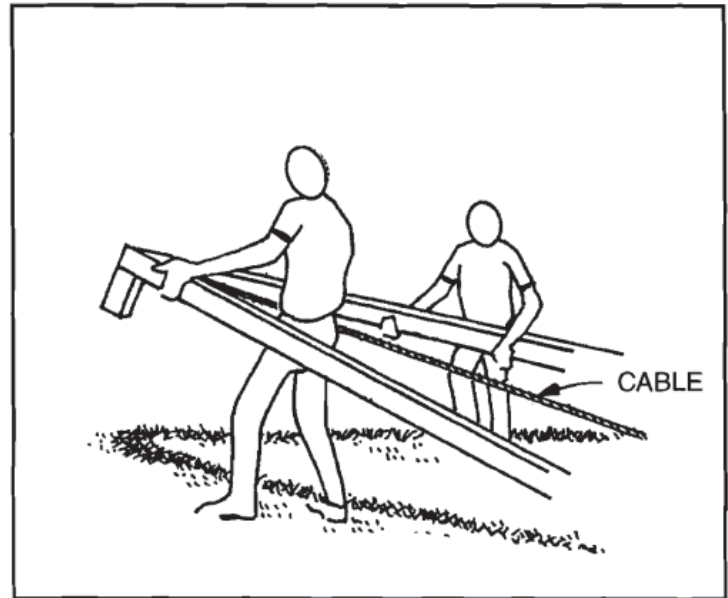
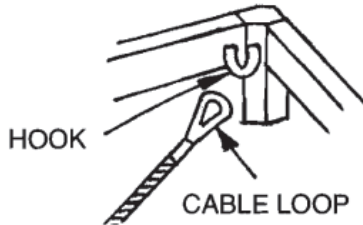


2

### ATTACH CABLES

Attach one end of cable to weldment hook on a corner weldment. At the opposite corner, raise frame until cable loop slips onto weldment hook, then lower to ground.

Repeat for other cable.



3

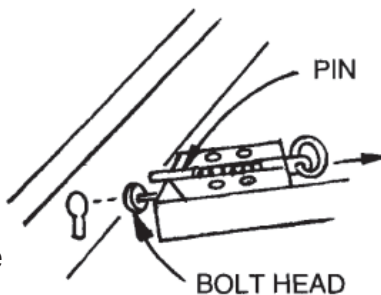
### ATTACH BRACES

Attach ends of braces to insides of eaves at slots as shown. Pull pin back and hold while inserting bolt head into slot.

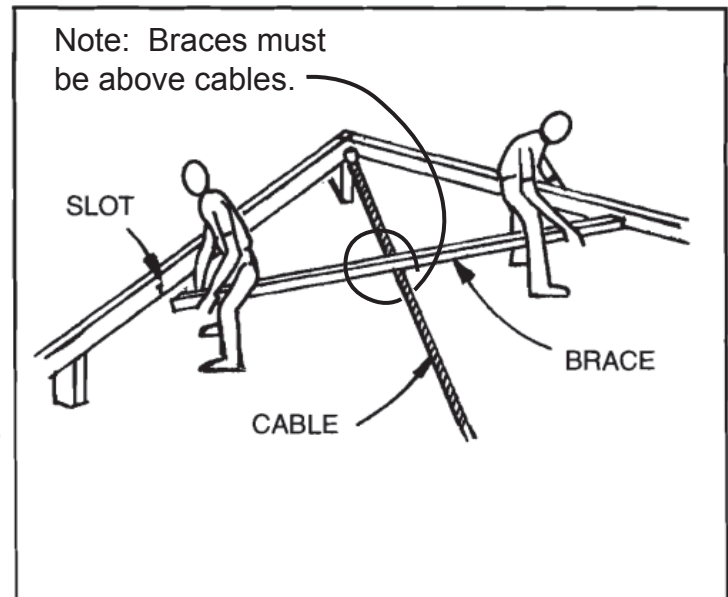
Release pin to secure.

#### IMPORTANT:

Braces are to be above cables.



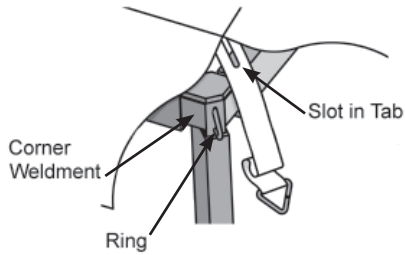
Note: Braces must be above cables.



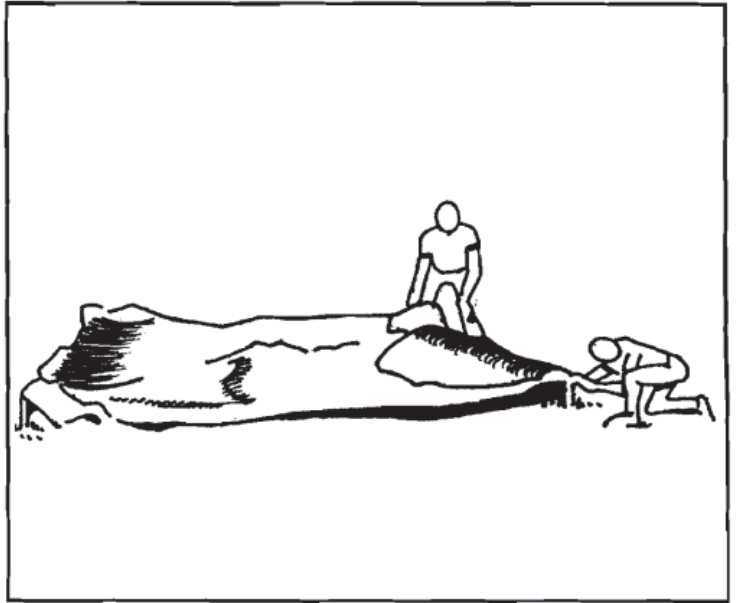
4

### PUT ON TOP

Unfold top over eaves and cables. Pull tabs at corners and side of top over weldments. Secure by placing slot in tabs over ring on weldment.



Fasten guy web snap to ring on side & corner weldments. Attach base plates to uprights with bolt and nut supplied.



5

### LIFT ONE SIDE

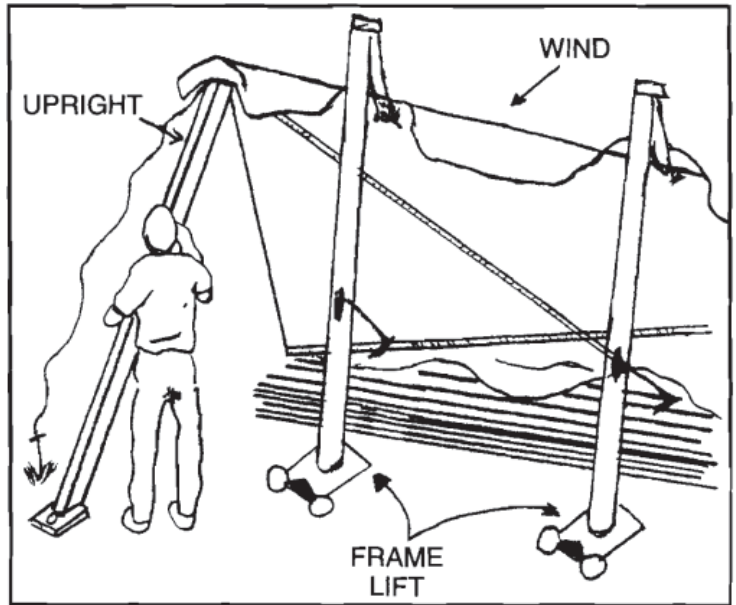
Position two lifts as shown and attach hooks to eave. Crank both lifts at the same time. Stop when uprights will fit into weldments. Ladder may be required if frame lifts are not used.

**NOTE:**

If wind is strong, drive in stakes through the web ring and tie off loosely before lifting frame.

(Ref: Step 11)

See caution on back page.



6

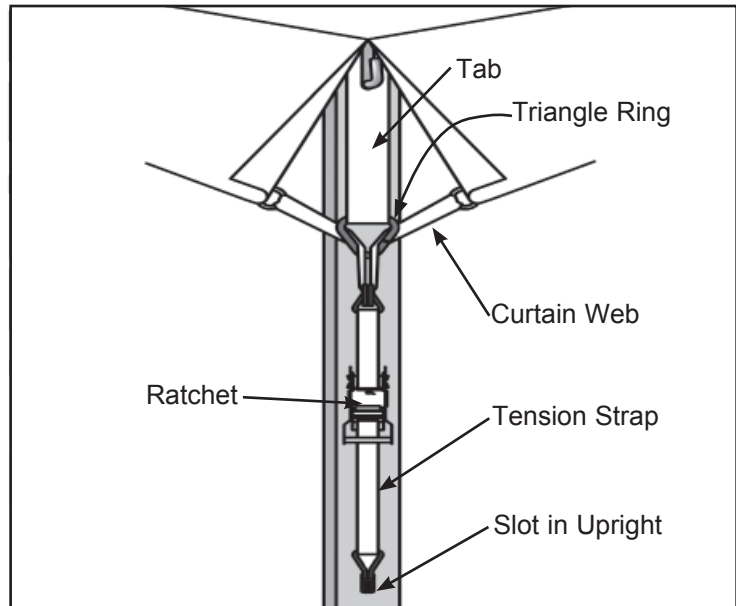
### ATTACH TENSION STRAPS

Place curtain web through triangle ring at end of tab as shown. Fasten upper hook of tension strap to curtain web. Insert lower hook into slot in upright.

Use ratchet to take up slack in web. This prevents uprights from sliding off weldment when other side of tent is raised.

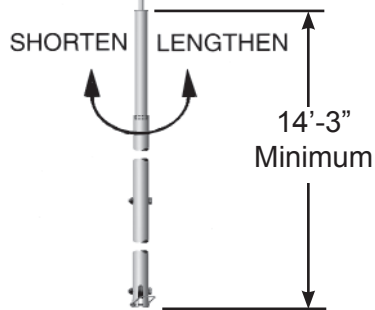
Do not tension at this time.

Repeat at other uprights in similar fashion.



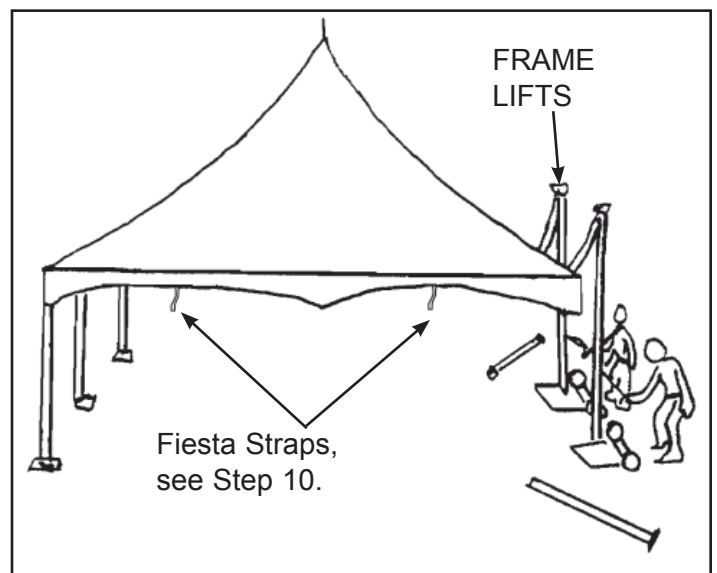
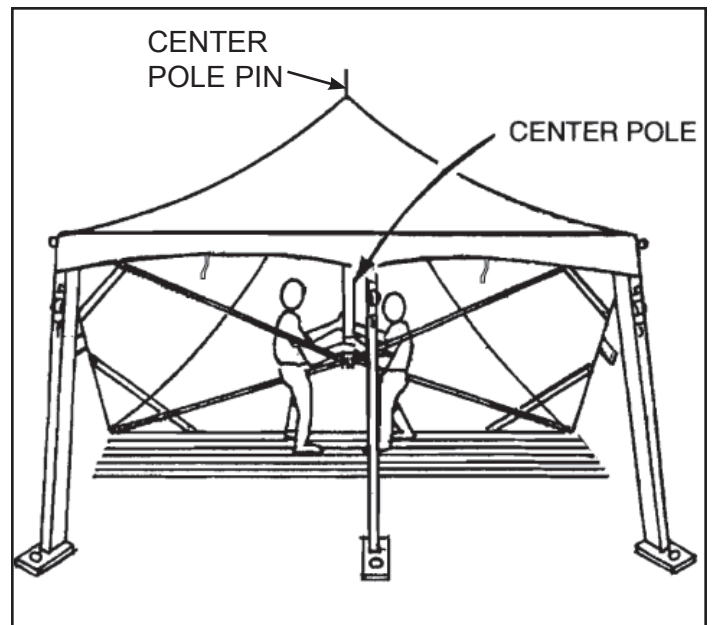
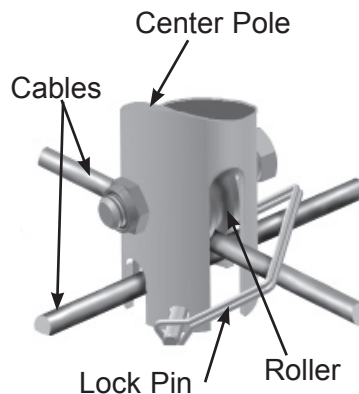
## 7 ADJUST CENTER POLE

Center Poles must be adjusted to the height on the illustration below. Turn the top of the center pole in the direction noted to meet the required dimension. (As marked on center pole)



Carefully position center pole pin through pole hole in top. Use caution to prevent tearing of fabric. Raise top by pushing pole on the upper cable. Slide pole along cable until at intersection of both cables. Place lower cable in slot at bottom of pole and attach lock pin to secure.

Caution: Base of pole is on a roller for ease of installation. Be sure movement of pole is controlled (firmly held) during installation and removal to prevent base from moving too quickly.



## 8 LIFT OTHER SIDE

Raise opposite side by repeating Step 5. Attach remaining uprights. Plumb uprights.

## 9 SECURE TENT

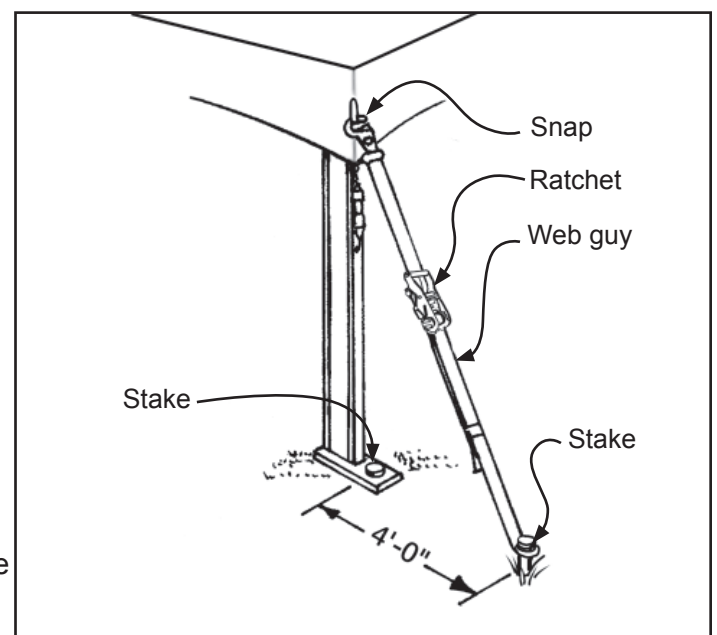
Make certain that tent is positioned in the desired location and uprights are square and aligned before staking. Drive a 1" x 30" stake through each base-plate. Fasten guy web snaps to ring on corner weldments.

At other end of guy webs, drive a 1" x 30" stake through the ring. Tension guy web. See illustration for positioning of stake.

Repeat for intermediate uprights.

While tensioning the frame down, continually check the alignment to insure the frame is square and plumb. Pay special attention to the eave bars when tensioning the intermediate guy webs so that the eave does not bow.

See guy web operating instructions provided.



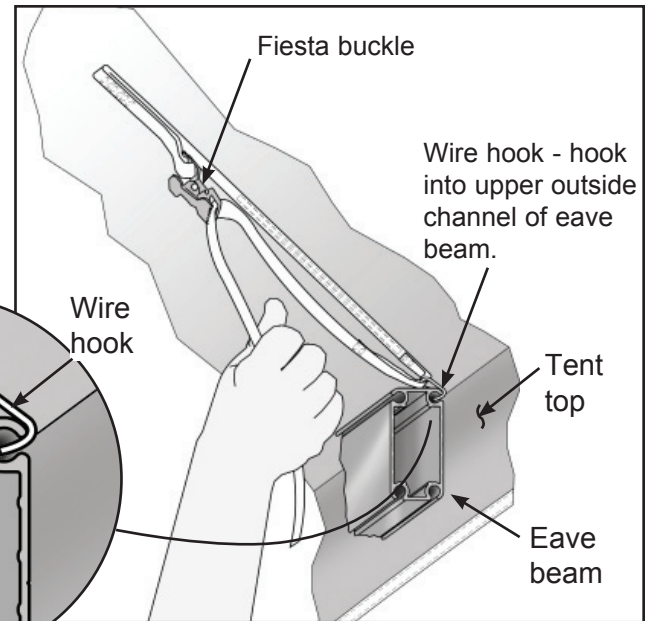
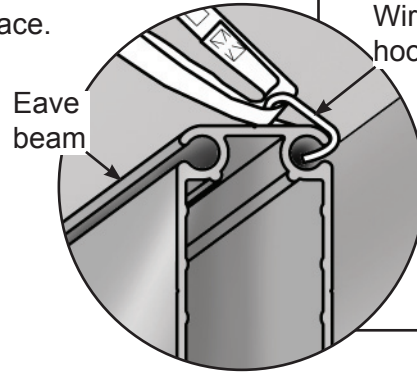
**IMPORTANT NOTE: PLEASE REFER TO CAUTION AND OTHER ANCHORING INFORMATION ON BACK PAGE.**

## 10 FASTEN FIESTA STRAPS AND BUCKLES (LOCATED BETWEEN UPRIGHTS)

Pull straps out so that they are not caught behind eave bars. Insert the wire hook attached to the strap into the upper outside channel of the eave beam as shown in the illustrations. Make sure strap and buckle are straight and in-line.

Run the end of the strap up through the fiesta buckle and pull strap until wire hook stays in place.

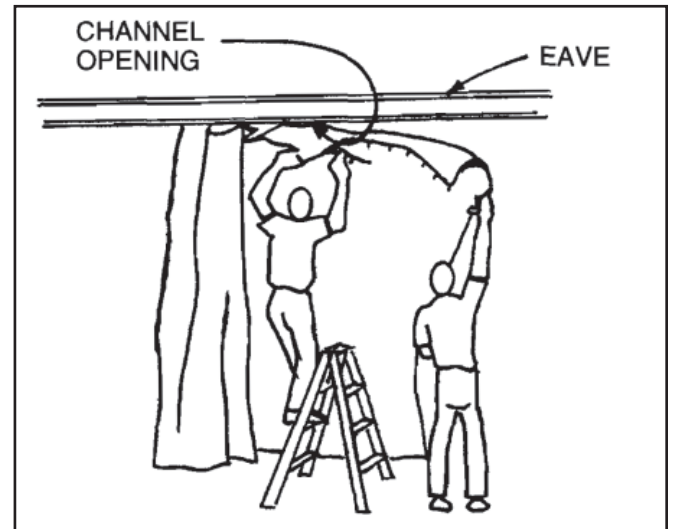
Do not tighten at this time.



## 11 INSTALLING OPTIONAL WALLS

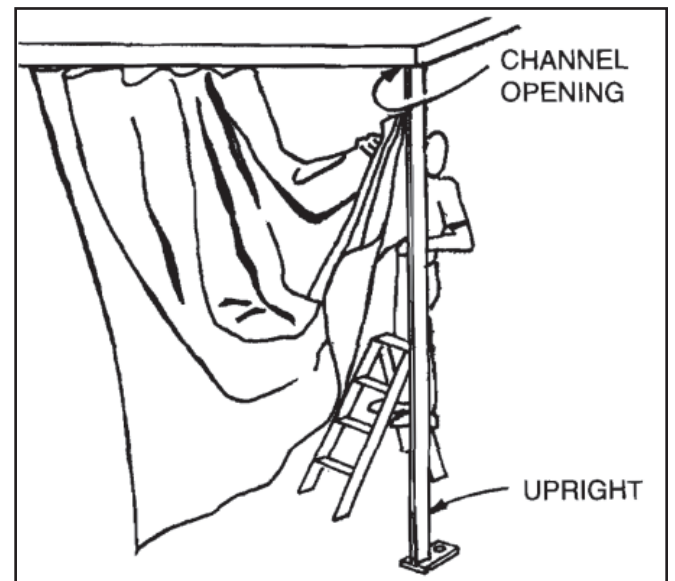
Determine proper mating of 2-piece walls with labels on the inside. Slide tabs at top of walls into bottom outside channel opening (see Century Frame extrusion drawing on Page 3).

Orient walls so that beading edges are adjacent to uprights and the lace edges meet in the middle.



## 12 ATTACH WALLS TO UPRIGHTS

At each upright gather up wall and insert bottom of beading into channel opening at top of upright. Feed all of beading into channel.



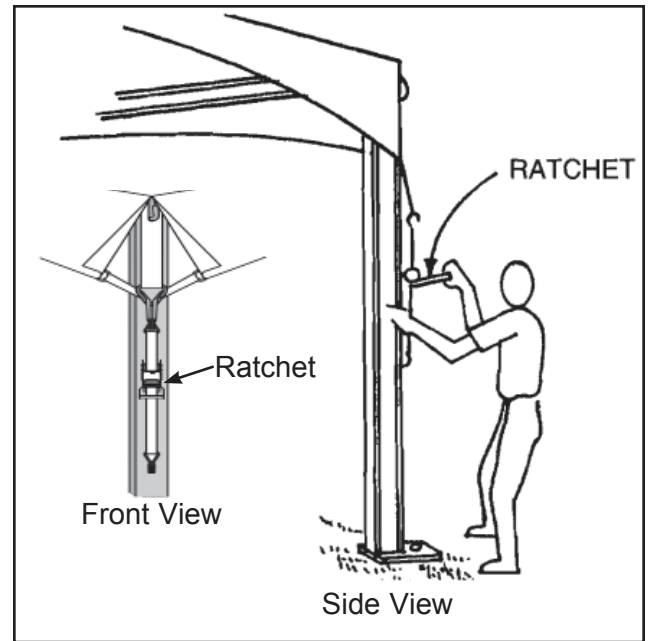
## 13 TENSION TOP

A firmly tensioned top is required for proper installation. Pull fabric tightly and smoothly to minimize water pooling, wind damage, fabric shifting. Use ratchets on tension straps to tension the top (See Step 6).

Now tighten all eight of the fiesta straps spaced between the uprights (See Step 10).

## 14 TAKE DOWN

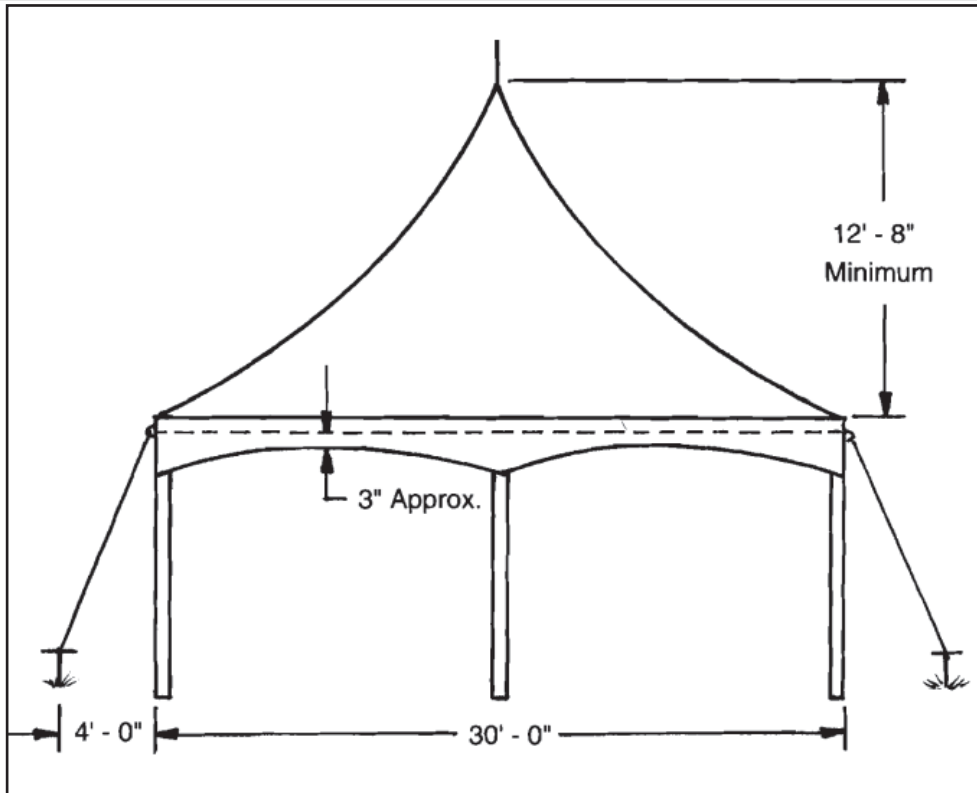
1. Remove guy webs and stakes.
2. Loosen tension straps.
3. Reverse installation steps.



### IMPORTANT:

Check guy webs and tension straps periodically for tightness and good condition. Re-tension as needed after windy or rainy conditions. Failure to do so may result in pooling or failure of the tent.

Store tent in a cool, dry area. Never store while wet or damp.



### NOTE:

Tensioning of top can change from installation to installation. Cable stretch, fabric shrinkage or elongation and other factors can require a different amount of tension to center pole.

### NOTE:

The center of the fabric eaves should be approximately 3" below the frame eaves when properly tensioned.



Thank you for purchasing an Anchor product. In return, we pledge Quality, Service and Craftsmanship and are available for any questions you may have or assistance you may need.

## **PHONE NUMBER**

812-867-2421

## **FAX NUMBER**

812-867-0547

Anchor products are of superior design and operate best within the parameters of these instructions. It is **IMPERATIVE** that the instructions be carefully read and **COMPLETELY FOLLOWED**. Please read installation instructions before the installation or removal of this product. Installation instructions are available at [www.anchorinc.com](http://www.anchorinc.com).

For additional assistance consult: "The IFAI Procedural Handbook For The Safe Installation And Maintenance Of Tentage" and the IFAI "Pullout Capacity Of Tent Stakes", both available from the IFAI Tent Rental Division.

### **CAUTION:**

1. For each installation, the installer is solely responsible for evaluating the site and the proper securing method determined. Some soils require different staking or securing than that provided with the tent. Due to this variety of soil conditions, these are the manufacturer's suggested sequence of installation procedures. Anchor's responsibility is limited to the construction of the tent. We are not responsible for methods that installers may choose to secure the tent to the ground.
2. Inasmuch as the weather is unpredictable, good judgment and common sense must be incorporated within installation guidelines. It is the responsibility of the tent installer/maintainer to determine the severity of the weather, proper time and method of installation and/or erection and disassembly.

This product has been manufactured for use as a temporary structure. For the safety of all occupants, evacuation is recommended if threatening weather occurs, or if there is any doubt concerning the safe use of this product.

3. Proper safety equipment should be used at all times to insure a safe installation and take down. We suggest a careful evaluation be made to determine safety equipment needed, such as hard hats, steel-toe shoes, safety glasses and other as required.

4. Anchor stands behind its products in accordance with its standard Terms and Conditions of sale. A copy of our Terms and Conditions of Sale can be obtained by contacting Anchor at the telephone number and/or address on this document.